

**Parts**  
**Manual**  
**Speed-Harra**  
**4m & 5m**

## **Important Information**

### **Serial Number**

It is important to make a note of the serial number and year of manufacture of your machine in the spaces provided below. This information should always be quoted in any correspondence with Dowdeswell Engineering.

When ordering spares for your machine, you should always quote the serial number and year of manufacture either to Dowdeswell's or to your dealer.

Machine Serial Number: \_\_\_\_\_

Year of manufacture: \_\_\_\_\_

### **Warranty**

Should defective material or workmanship used in the manufacture give rise to failure, the products, components or sub-assemblies affected, will be replaced free of charge during the period of warranty offered with the machine at the time of purchase. The fitting of non Dowdeswell parts, or repairs, or modifications carried out by unauthorised persons will invalidate the warranty. No work will be carried out without prior consultation with Dowdeswell Engineering Co. Ltd.

Save to the extent covered by the warranty, the company shall not be liable in any circumstances for any loss, injury or expense, whether direct or indirect, which may arise for any reason whatsoever from any defect in or otherwise in connection with any goods supplied or work done by the company.

### **Replacement Parts**

Use only genuine Dowdeswell spares as these replacement parts are designed for your machine to give the best possible performance and also have the full backing of the warranty cover. See the Parts Manual for the part number and description, when ordering spares always quote the machine serial number.

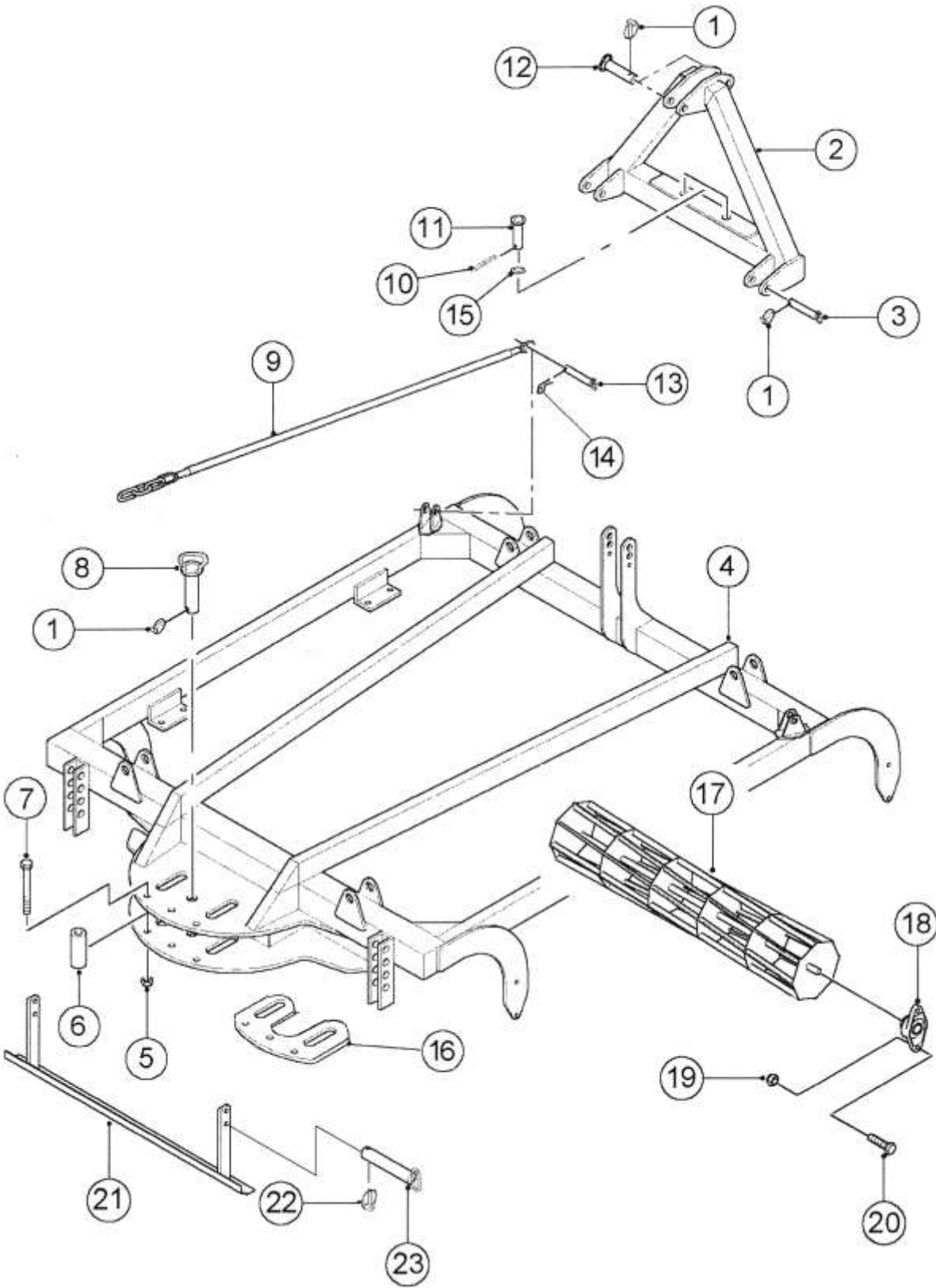
### **Definitions**

Throughout this manual the terms "Front", "Rear", "Left-hand (LH)" and "Right-hand (RH)" will be used and are derived from the tractor drivers normal position facing forward with the plough in its transport position.

The left-hand components are those which move the soil to the left, and the right-hand components are those which move the soil to the right.



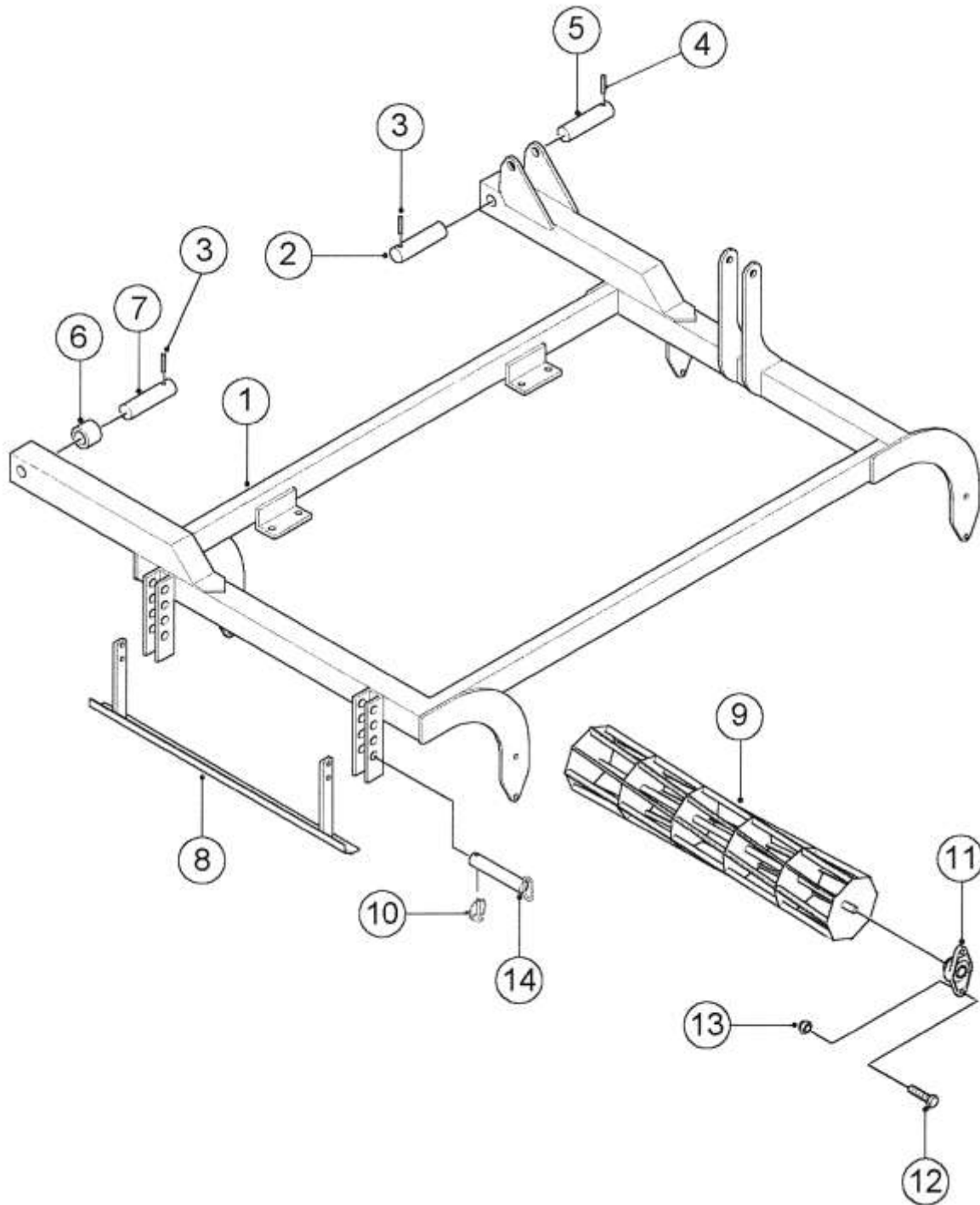
# **HEADSTOCK & CENTRE FRAME**



# **HEADSTOCK & CENTRE FRAME**

ITEM	PART N°	DESCRIPTION	QTY
1	900527	Lynch Pin	7
2	1468500	Headstock	1
3	1468700	Bottom Link Pin	2
4	1469000	Main Frame	1
5	900785	Self Locking Nut M20	3
6	1468900	Spacer Tube	3
7	901120	Bolt M20 x 180	3
8	1468800	Locking Pin	1
9	1473100	Connecting Link	2
10	900542	Roll Pin 10 x 60	2
11	1468600	Swivel Pin	2
12	240400	Top Link Pin	2
13	198200	Pin	2
14	900521	'R' Clip	2
15	900181	Washer	2
16	1495000	Wear Plate (Optional)	1
17	1470100	Center Crumbler Roller	2
18	901943	Bearing Assembly	4
19	900118	Self Locking Nut 1/2" UNF	8
20	900035	Bolt 1/2" UNF x 1 3/4"	8
21	1469600	Center Levveling Board	1
22	900527	Lynch Pin	2
23	198200	Levelling Board Pin	2

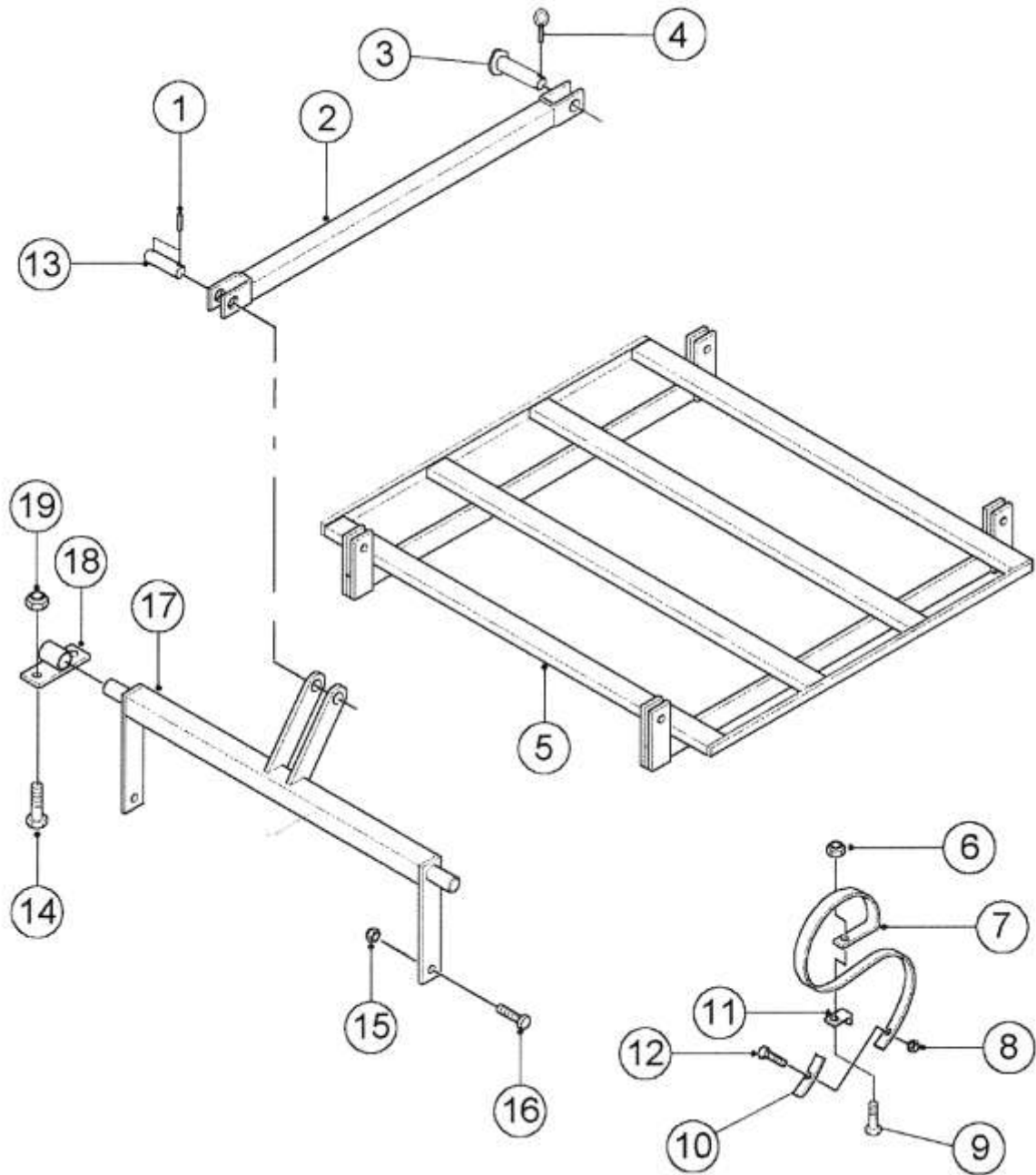
# WING FRAME ASSEMBLY



# **WING FRAME ASSEMBLY**

ITEM	PART N°	DESCRIPTION	QTY
1	1469298	Wing Frame 4m (RH)	-
-	1469299	Wing Frame 4m (LH)	-
-	1469498	Wing Frame 5m (RH)	-
-	1469499	Wing Frame 5m (LH)	-
2	1059500	Pivot Pin	2
3	900559	Roll Pin 8 x 50	4
4	900282	Roll Pin 5/16" x 2"	2
5	295700	Ram Pivot Pin	2
6	1469500	Spacer Tube	2
7	1059500	Pivot Pin	2
8	1469800	Wing Levelling Board 4m	-
-	1470000	Wing Levelling Board 5m	-
9	1470300	Wing Crumbler Roll 4m	-
-	1470500	Wing Crumbler Roll 5m	-
10	900527	Lynch Pin	4
11	901943	Bearing Assembly	8
12	900035	Bolt 1/2" UNF x 1 3/4"	16
13	900118	Self Locking Nut 1/2" UNF	16
14	198200	Levelling Board Pin	4

# **TINE FRAME ASSEMBLY**

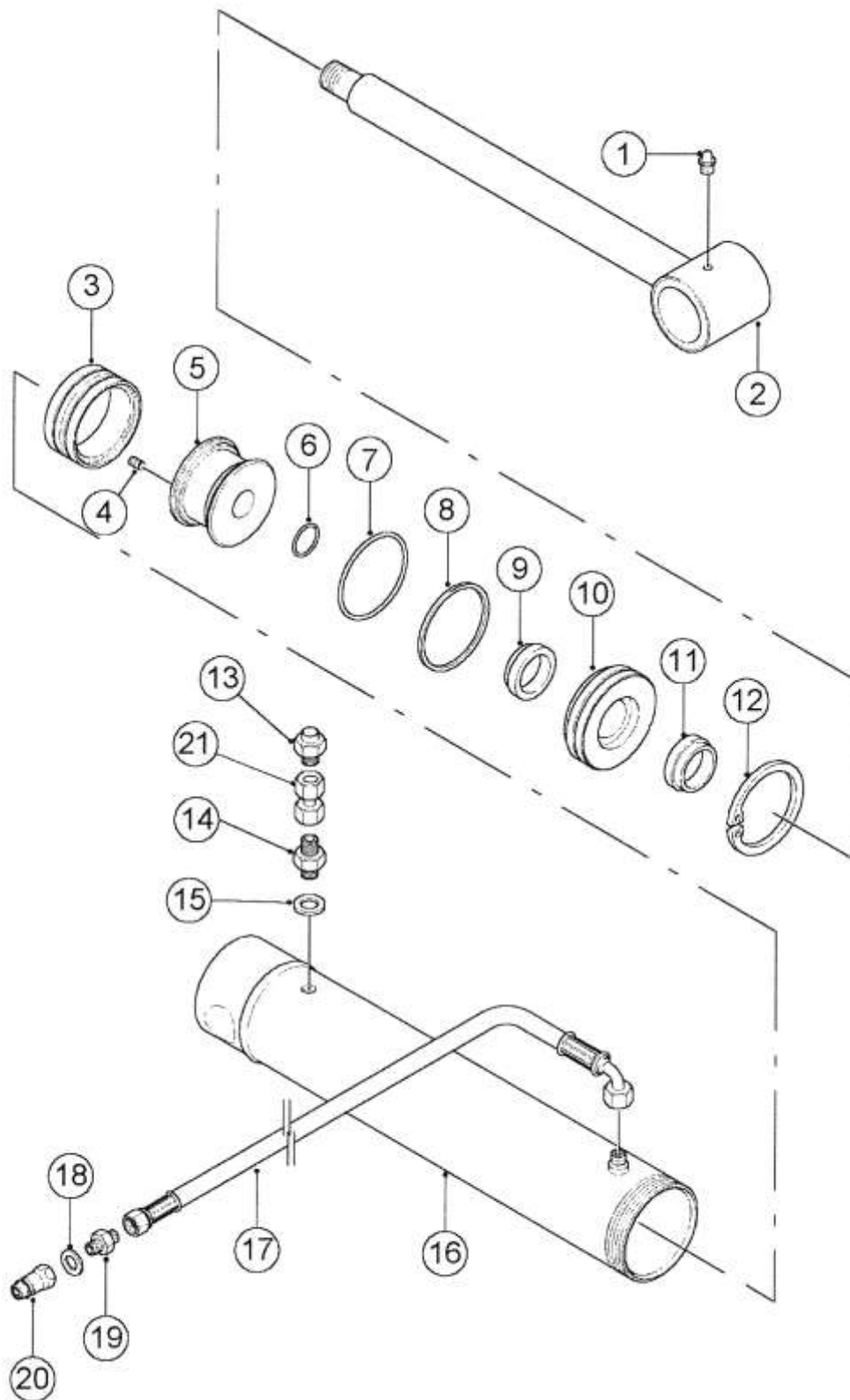




# **TINE FRAME ASSEMBLY**

ITEM	PART N°	DESCRIPTION	QTY
1	900541	Roll Pin 6 x 30	6
2	1470800	Connecting Link	3
3	222600	Pin	3
4	900527	Lynch Pin	3
5	1471700	Center Tine Frame	-
-	1471900	Wing Tine Frame 4m	-
-	1472100	Wing Tine Frame 5m	-
6	900783	Self Locking Nut M12	1*
7	1472200	Spring Tine	1*
8	900782	Self Locking Nut M10	1*
9	901067	Bolt M12 x 45	1*
10	1472400	Reversible Point	1*
11	1472300	Tine Bracket	1*
12	903416	Bolt M10 x 40 (Oval Head)	1*
13	1138500	Pin	3
14	901082	Bolt M16 x 50	24
15	900784	Self Locking Nut M16 (5m + 4)	12
16	901082	Bolt M16 x 50 (5m + 4)	12
17	1471200	Center Pivot Frame	-
-	1471400	Wing Pivot Frame 4m	-
-	1471600	Wing Pivot Frame 5m	-
18	1470900	Pivot Bracket	12
19	900784	Self Locking Nut M16	24

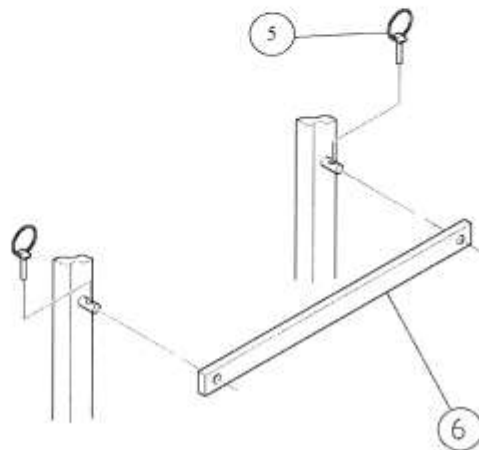
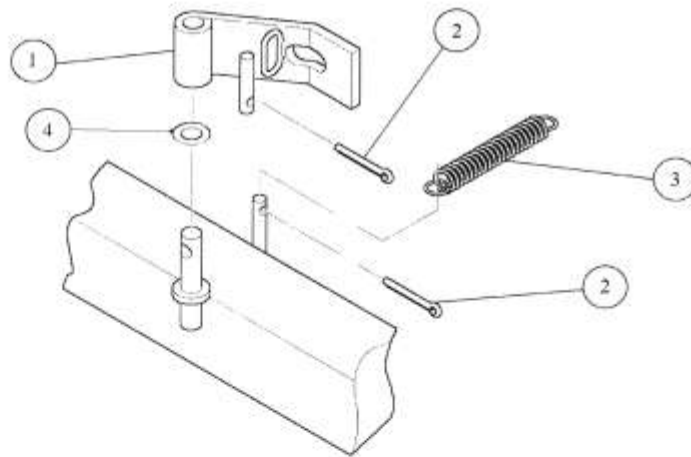
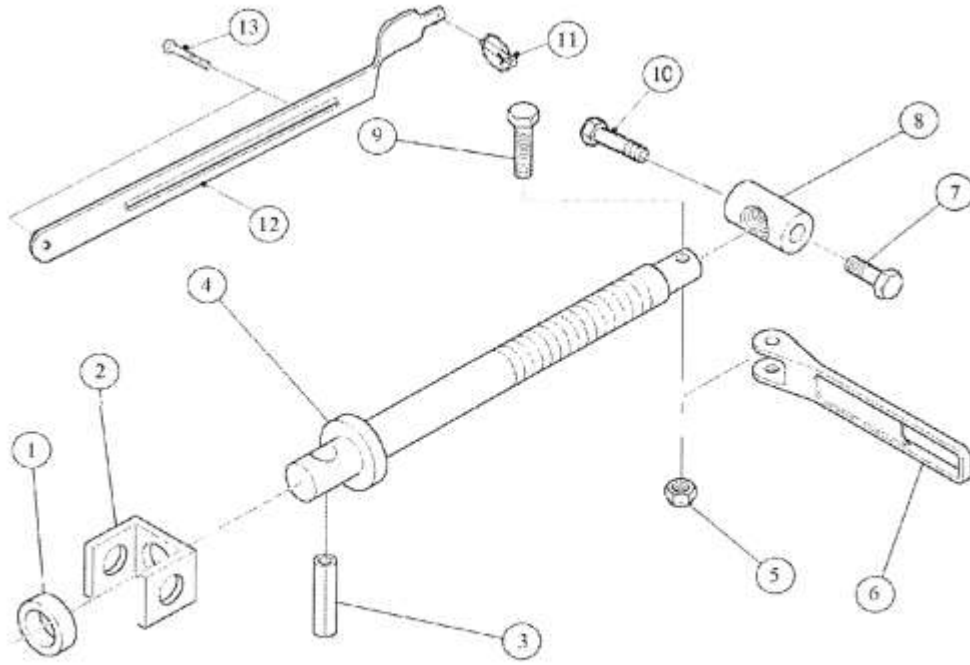
# **FOLDING RAM ASSEMBLY**



# **FOLDING RAM ASSEMBLY**

ITEM	PART N°	DESCRIPTION	QTY
1	900431	Grease Nipple	2
2	225600	Piston Rod	1
3	900246	Double Acting Seal	1
4	900151	Socket Setscrew 1/4" UNF x 1/4"	1
5	148300	Piston	1
6	900209	'O' Ring	1
7	900210	'O' Ring	1
8	900805	Back-up Ring	1
9	900227	Single Acting Seal	1
10	225400	Seal Housing	1
11	900266	Rod Wiper	1
12	900723	Internal Circlip	1
13	900741	Breather	1
14	900391	Adapter 3/8" BSP	1
15	900301	Self Sealing Washer 3/8" BSP	1
16	225300	Ram Cylinder	1
17	1473500	Hose Assembly 4m	-
-	1505000	Hose Assembly 5m	-
-	900758	Adapter 'T' Piece 3/8" BSP (5m Only)	-
18	900302	Self Sealing Washer 1/2" BSP	1
19	900392	Adaptor 3/8" – 1/2" BSP	1
20	900611	Tractor Quick Coupler	1
21	902885	Adaptor 1/8" – 3/8"	1
-	203600	Ram Assembly	-
-	226200	Seal Set	-

# **TINE ADJUSTER & TRANSPORT**



# **TINE ADJUSTER & TRANSPORT**

ITEM	PART N°	DESCRIPTION	QTY
1	147300	Spacer	3
2	1472700	Depth Bracket	3
3	900555	Roll Pin 12 x 60	3
4	1472800	Adjuster Bar	3
5	900115	Self Locking Nut 3/8" UNF	3
6	1156300	Adjuster Handle	3
7	1474400	Special Bolt M16	3
8	1472900	Threaded Adjuster	3
9	900027	Bolt 3/8" UNF x 2 1/2"	3
10	1500100	Special Bolt M16	3
11	900521	'R' Clip	3
12	1505198	Depth Marker	3
13	901036	Bolt M10 x 35	6
<b><u>TRANSPORT</u></b>			
1	1472598	Locking Bracket RH	1
-	1472599	Locking Bracket LH	1
2	901917	Split Pin 4 x 40	4
3	900464	Extension Spring	2
4	1504900	Spacer Collar	2
5	900528	Lynch Pin	4
6	1472600	Transport Locking Bar	1
7	1503700	Release Rope (Not Shown)	1