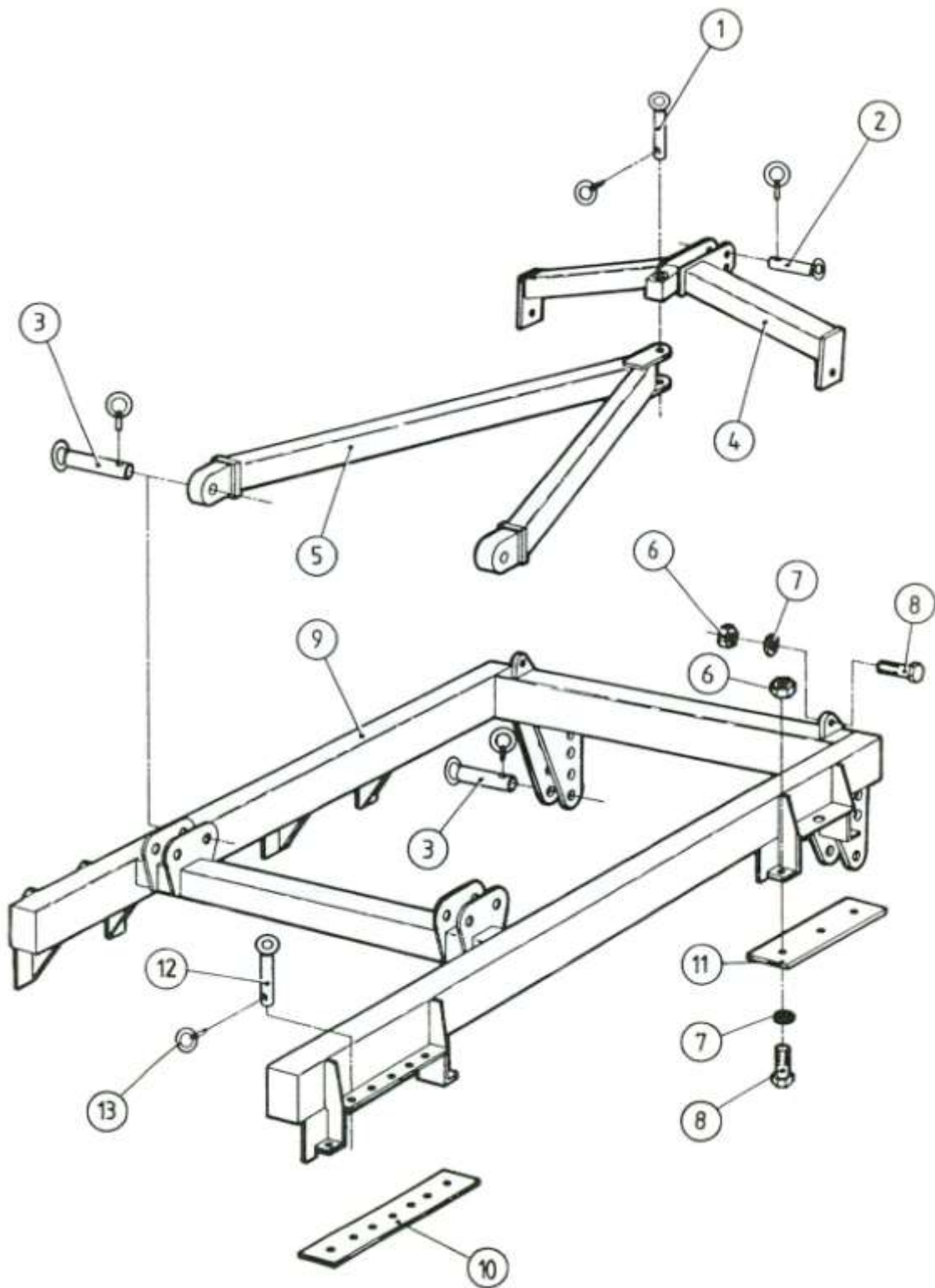


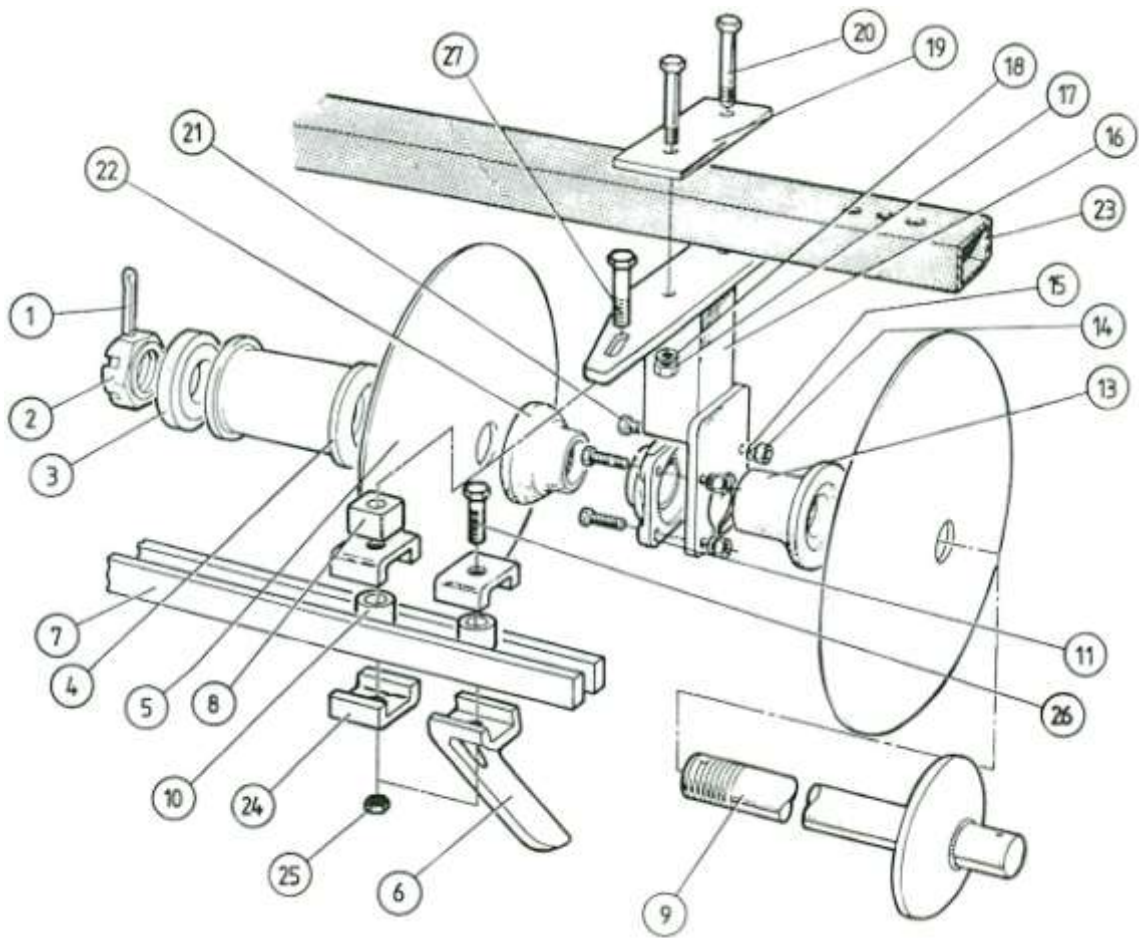
MAINFRAME & DRAWBAR



MAINFRAME & DRAWBAR

<u>ITEM</u>	<u>QTY</u>	<u>DESCRIPTION</u>	<u>PART NO</u>
1	1	Pin 'A' Frame	240300
2	1	Hitch Pin Upper	240400
3	4	Hitch Pin Lower	240500
4	1	Headstock	240100
5	1	'A' Frame	240000
6	10	Nut M20	900775
7	10	Spring Washer M20	901193
8	2	Bolt M20 x 55mm	901106
9	1	Main Frame 1.7m	240600
-	-	Main Frame 1.9m	240700
-	-	Main Frame 2.1m	240800
-	-	Main Frame 2.6m	240900
-	-	Main Frame 3.1m	241000
10	2	Bottom Adjuster Bar	297900
11	2	Bottom Pivot Bar	298000
12	6	Gang Set Pin	240300
13	12	Lynch Pin	900526

DISC GANGS



DISC GANGS

<u>ITEM</u>	<u>QTY</u> <u>1.7m</u>	<u>QTY</u> <u>1.9m</u>	<u>QTY</u> <u>2.1m</u>	<u>QTY</u> <u>2.6m</u>	<u>QTY</u> <u>3.1m</u>	<u>DESCRIPTION</u>	<u>PART NO</u>
1	2	2	4	4	4	Cotter Pin	901211
2	2	2	4	4	4	Nut 1 1/4" UNC Slotted	901217
3	2	2	4	4	4	End Cap Convex	241600
4	10	12	8	12	16	Spool	242200
5	16	18	20	24	28	Disc Plain 560 x 4	242900
-	-	-	-	-	-	Disc Cutaway 560 x 4	229300
6	8	9	10	12	14	Scraper Front	206100
-	8	9	10	12	14	Scraper Rear	206200
7	4	-	-	-	-	Scraper Bar 1.7m	290700
-	-	4	-	-	-	Scraper Bar 1.9m	290600
-	-	-	8-	-	-	Scraper Bar 2.1m	290300
-	-	-	-	8	-	Scraper Bar 2.6m	290400
-	-	-	-	-	8	Scraper Bar 3.1m	290600
8	12	14	12	14	20	Spacer	296500
9	2	-	-	-	-	Gang Shaft 1.7m	230600
-	-	2	-	-	-	Gang Shaft 1.9m	230700
-	-	-	4	-	-	Gang Shaft 2.1m	230300
-	-	-	-	4	-	Gang Shaft 2.6m	230400
-	-	-	-	-	4	Gang Shaft 3.1m	23500
10	16	18	20	24	28	Spacer Tube	301300
11	4	4	8	8	8	Bearing Unit	901480
13	4	4	8	8	8	Half Spool Convex	241500
14	16	16	32	32	32	Nut M12	900773
15	16	16	32	32	32	Spring Washer M12	901189
16	2	2	4	4	4	Hanger Bracket Front	1019598
-	2	2	4	4	4	Hanger Bracket Rear	1019599
17	8	8	16	16	16	Nut M20	900775
18	8	8	16	16	16	Spring Washer M20	901193
19	4	4	8	8	8	Strap Plate	941300
20	8	8	16	16	16	Bolt M20 x 150	901118
21	16	16	32	32	32	Setscrew M12 x 40	901310
22	4	4	8	8	8	Half Spool Concave	241400
23	2	-	-	-	-	Gang Beam 1.7m	241700
-	-	2	-	-	-	Gang Beam 1.9m	241800
-	-	-	2	-	-	Gang Beam 2.1m	241900
-	-	-	-	2	-	Gang Beam 2.6m	242000
-	-	-	-	-	2	Gang Beam 3.1m	243100
24	28	32	32	38	48	Spacer Bar Clamp Plate	213600
25	12	14	12	14	20	Nyloc Nut M12	900783
26	16	18	20	24	28	Bolt M12 x 90	901075
27	4	4	8	8	8	Bolt M12 x 130	901079

For Pre 1988 Models

16	2	2	4	4	4	Hanger Bracket Front	241100
-	2	2	4	4	4	Hanger Bracket Rear	241200