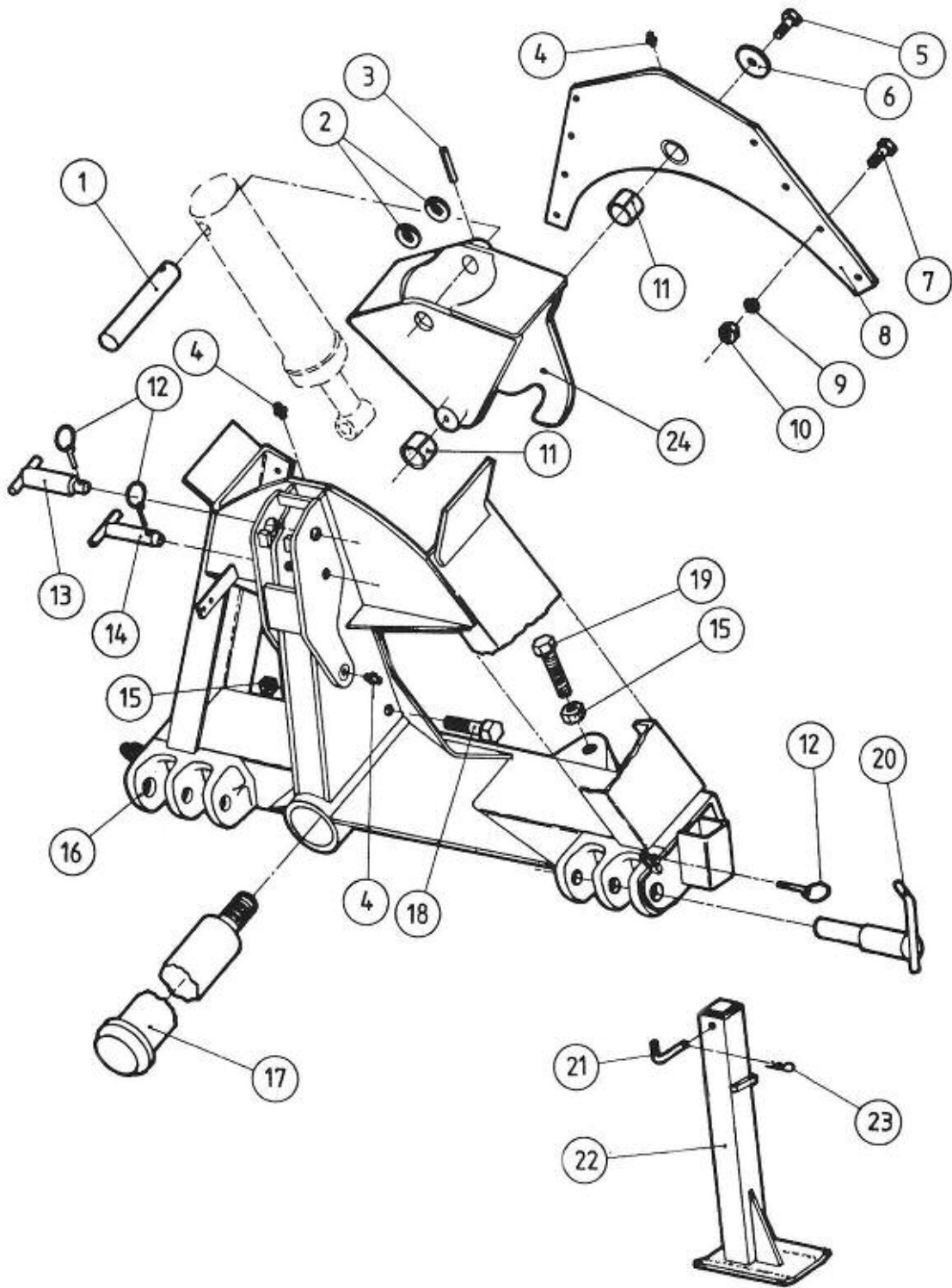


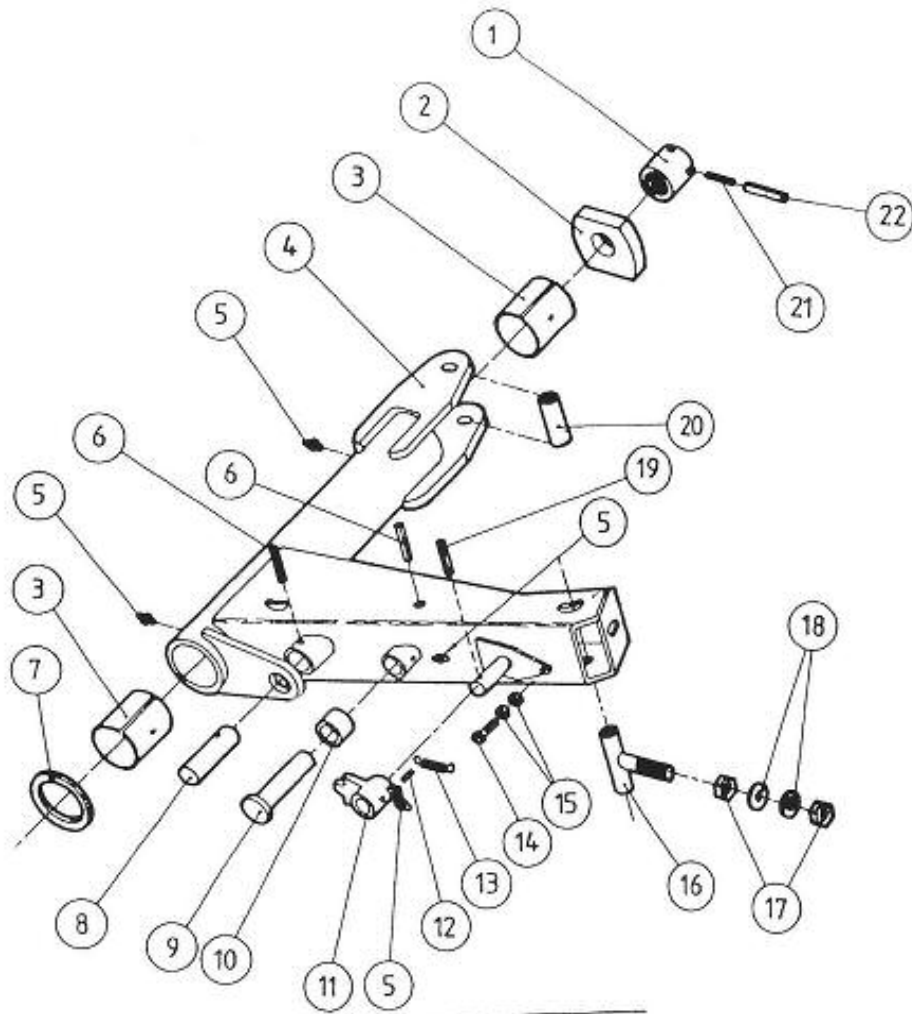
# HEADSTOCK & MAINFRAME



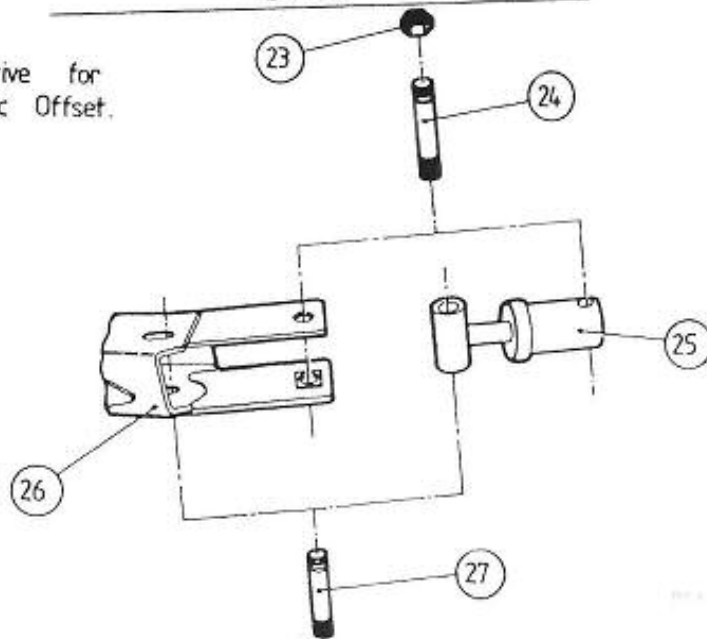
## HEADSTOCK

<u>ITEM</u>	<u>QTY</u>	<u>DESCRIPTION</u>	<u>PART NO</u>
1	1	Top Ram Pin (8 1/4")	144100
-	-	Top Ram Pin (7 3/4")	028600
2	As Req.	Thrust Washer	035700
3	1	Spring Pin 3/8" x 2"	900286
4	3	Grease Nipple	900431
5	2	Bolt 5/8" UNF x 1"	900041
6	2	Washer	900177
7	8	Bolt 1/2" UNF x 1 1/2"	900034
8	1	Backplate	119000
-	-	Backplate (Short Ram)	116100
9	8	Spring Washer 1/2"	900195
10	8	Nut 1/2" UNF	900105
11	2	Plain Bearing	900350
12	4	Linch Pin	900526
13	1	Top Link Pin Cat. 3	023100
13a	1	Top Link Pin Cat. 2	023000
14	1	Clapper Pin	022800
15	3	Nut 1" UNF	900109
16	1	Headstock	143900
17	1	Main Pivot Shaft	020400
18	1	Bolt 1" UNF x 5"	900066
19	2	Setscrew 1" UNF x 4"	900082
20	2	Bottom Link Pin	145600
21	2	Retaining Peg	012500
22	2	Support Leg	035800
23	2	'R' Cup	900521
24	1	Rocker	144000

# TURNOVER ARM



Alternative for  
Hydraulic Offset.



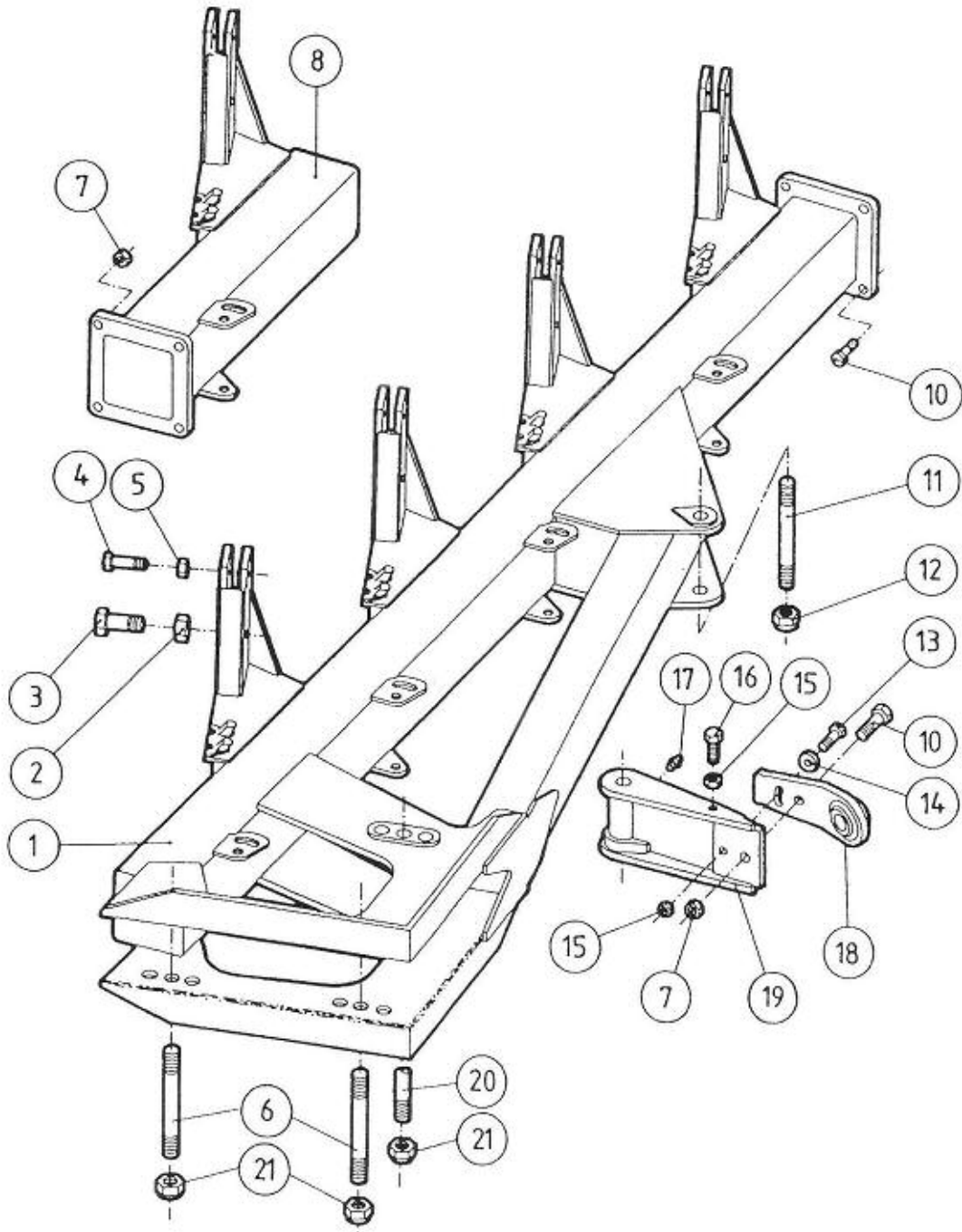
## TURNOVER ARM

<u>ITEM</u>	<u>QTY</u>	<u>DESCRIPTION</u>	<u>PART NO</u>
1	1	Pulling Nut	011600
2	1	Washer Plate	022700
3	2	Plain Bearing	900353
4	1	Turnover Arm	118900
-	-	Turnover Arm (Short Ram)	021000
5	4	Grease Nipple	900431
6	2	Spring Pin 3/8" x 3"	900288
7	1	Thrust Washer	017700
8	1	Bottom Ram Pin	091200
9	1	Roller Pin	077300
10	1	Roller	077400
11	1	Swinging Latch	022200
12	1	Spring Pin 3/16" x 3/4"	900281
13	1	Tension Spring	900461
14	1	Bolt 1/4" UNF x 1 1/4"	900004
15	2	Nut 1/4" UNF	900101
16	1	Offset Adjuster	023500
17	2	Nut 1" UNF	900109
18	2	Washer	900174
19	1	Spring Pin 5/16" x 1 1/2"	900282
20	1	Spacer Tube	023600
21	1	Spring Pin 5/16" x 3"	900283
22	1	Spring Pin 1/2" x 3"	900289

### Alternatives for Hydraulic Offset

23	4	Self Locking Nut 1" UNF	900112
24	1	Stud 1" UNF x 9 3/8"	900505
25	1	Offset Ram	250600
26	1	Turnover Arm	195600
27	1	Stud 1" UNF x 7 3/4"	900507

# MAIN BEAM

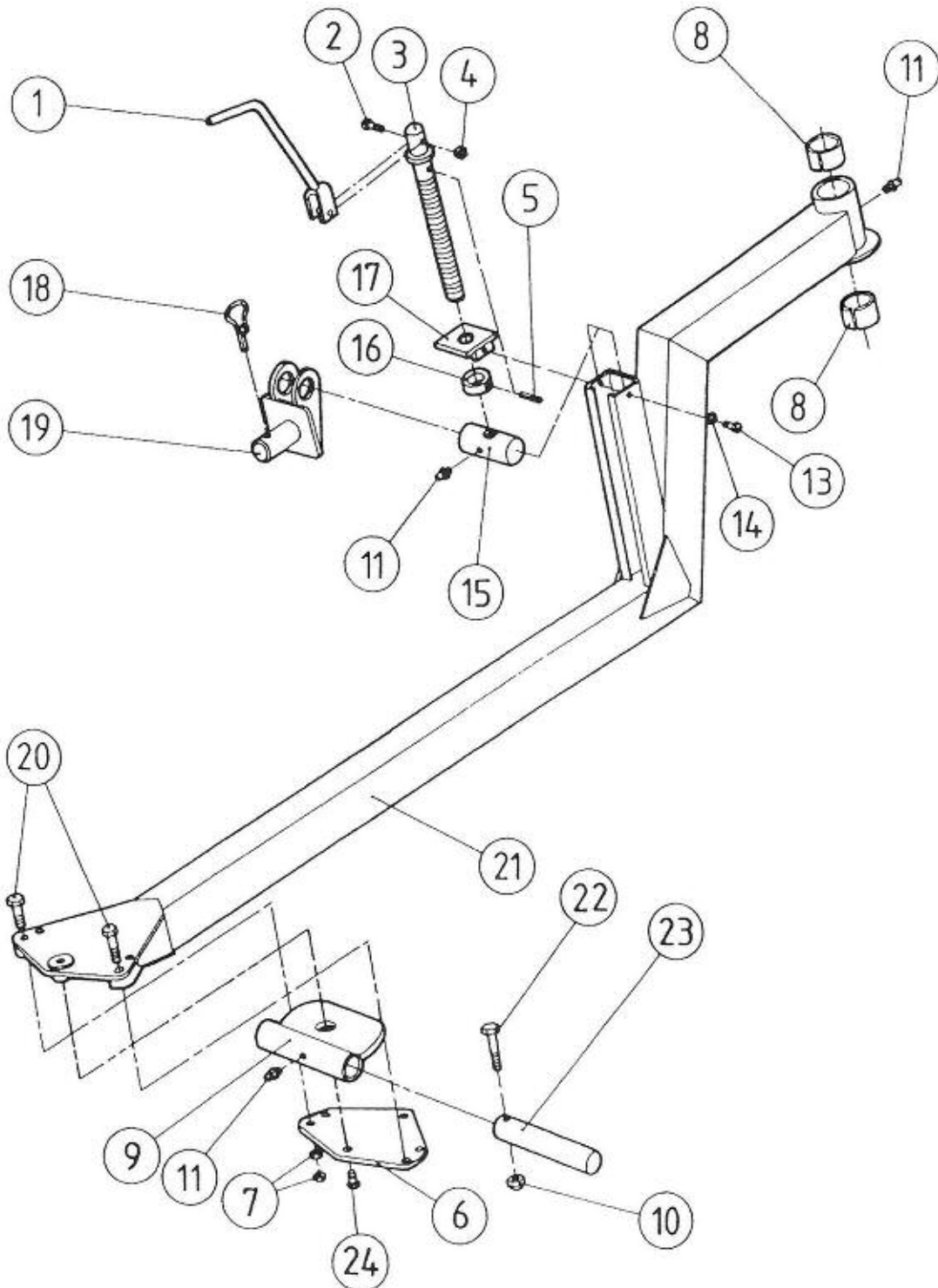


## MAIN BEAM

<u>ITEM</u>	<u>QTY</u>	<u>DESCRIPTION</u>	<u>PART NO</u>
1	1	Main Beam	-
2	2*	Nut 1"UNF	900109
3	2*	Bolt 1" UNF x 3 1/4"	900063
4	2*	Shear Bolt	900481
5	2*	Nut 5/8" UNC	900496
6	2	Stud 1" UNF x 9 3/4"	900505
7	As Req.	Self Locking Nut 3/4" UNF	900111
8	As Req.	Extension Beam	-
-	As Req.	Intermediate Extension Beam	-
10	As Req.	Bolt 3/4" UNF x 3"	900055
11	1	Stud 1 1/4" UNF x 10 1/4"	900514
12	2	Self Locking Nut 1 1/4" UNF	900113
13	1	Bolt 5/8" x 2"	900047
14	1	Washer 5/8"	900172
15	3	Nut 5/8" UNF	900106
16	2	Setscrew 5/8" UNF x 2 1/2"	900084
17	1	Grease Nipple	900431
18	1	Ball Joint	068800
19	As Req.	Wheel Arm 13" CRS	133200
19a	As Req.	Wheel Arm 16" CRS	116200
19b	As Req.	Wheel Arm 18 1/2" CRS	116300
19c	As Req.	Wheel Arm 20 1/2" CRS	116400
20	1	Stud 1" UNF x 10"	900509
21	6	Self Locking Nut 1" UNF	900112

\* These quantities are per furrow

# MANUAL WHEEL BEAM



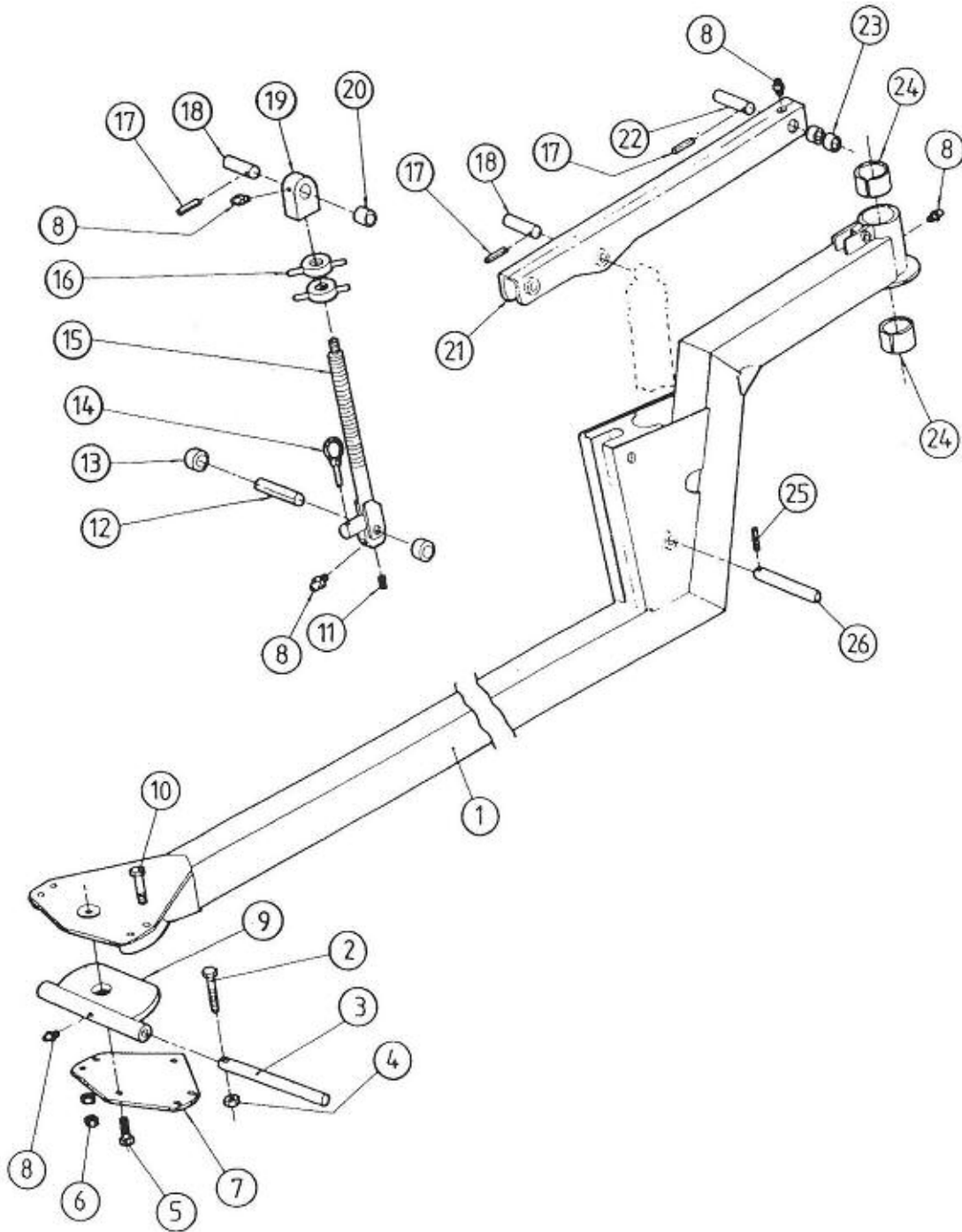
## MANUAL WHEEL BEAM

<u>ITEM</u>	<u>QTY</u>	<u>DESCRIPTION</u>	<u>PART NO</u>
1	1	Handle	003100
2	1	Bolt 5/16" UNF x 2 1/2"	900016
3	1	Depth Screw	080000 (122700*)
4	1	Self Locking Nut 5/16" UNF	900114
5	1	Spring Pin 5/16" x 1 1/2"	900282
6	1	Keep Plate	026100
7	5	Nut 5/8" UNF Self Locking	900116
8	2	Plain Bearing	900352
9	1	Swinging Pivot	166200
10	1	Self Locking Nut 3/8" UNF	900115
11	3	Grease Nipple	900431
13	2	Bolt 3/8" UNF x 3/4"	900022
14	2	Spring Washer 3/8"	900193
15	1	Slide Shaft	002800
16	1	Retaining Collar	002200
17	1	Location Plate	088400
18	1	Linch Pin	900526
19	1	Slide Bracket	115800
20	5	Bolt 5/8" x 3"	900044
21	1	Wheel Beam	-
22	1	Bolt 3/8" UNF x 2 1/2"	900027
23	1	Pivot Pin	166300
24	1	Bolt 5/8" UNF x 1"	900106

\* Fitted on 4" extra depth Wheel Beams



# HYDRAULIC WHEEL BEAM

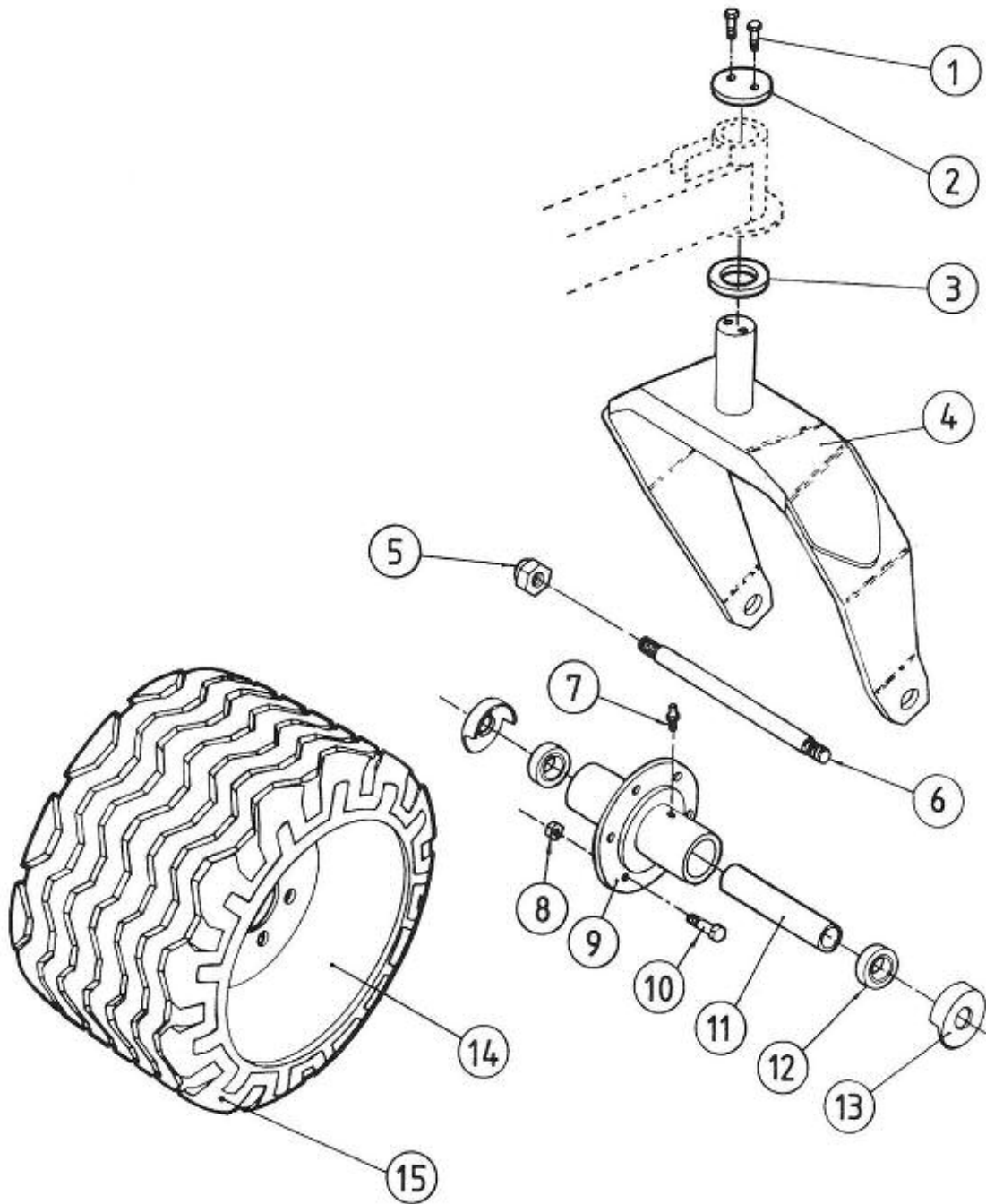


## HYDRAULIC WHEEL BEAM

<u>ITEM</u>	<u>QTY</u>	<u>DESCRIPTION</u>	<u>PART NO</u>
1	1	Wheel Beam Pivot	-
2	1	Bolt 3/8" UNF x 2 1/2"	900027
3	1	Pivot Pin	166300
4	1	Self Locking Nut 3/4" UNF	900115
5	1	Bolt 5/5" UNF x 1"	900041
6	5	Nut 5/8" UNF Self Locking	900116
7	1	Keep Plate	026100
8	5	Grease Nipple	900431
9	1	Swinging Pivot	166200
10	5	Bolt 5/8" UNF x 3"	900044
11	1	Socket Setscrew 1/4" UNF	900151
12	1	Roller Shaft	068100
13	2	Roller	067900
14	1	Linch Pin	900527
15	1	Adjuster Shaft	068000 (120700*)
16	2	Adjuster Nut	068200
17	3	Spring Pin 3/8" x 2"	900286
18	2	Pin	085100
19	1	Swivel Block	068500
20	1	Tension Bush	900373
21	1	Lift Arm	068700
22	1	Pin	079100
23	2	Tension Bush	900372
24	2	Plain Bearing	900352
25	1	Spring Pin 5/16" x 1 1/2"	900282
26	1	Pin	068400

\* Fitted on 4" Extra Depth Wheel Beam.

# WHEEL YOKE



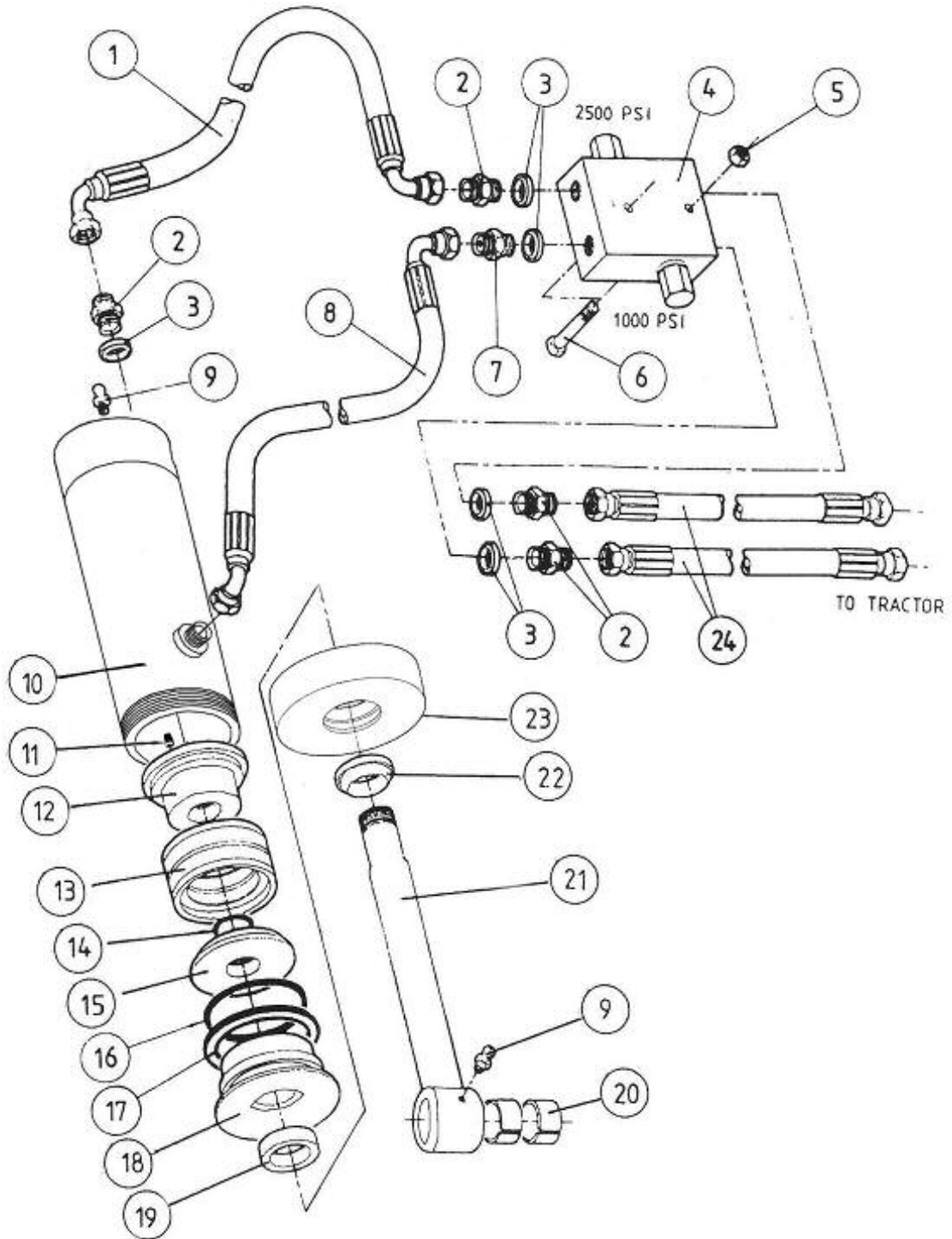
## WHEEL YOKE

<u>ITEM</u>	<u>QTY</u>	<u>DESCRIPTION</u>	<u>PART NO</u>
1	2	Bolt 1/2" UNF x 3/4"	900031
2	1	Yoke Retainer	026800
3	1	Thrust Washer	060800
4	1	Yoke	038300
5	2	Self Locking Nut 1" UNF	900112
6	1	Axle Shaft	038000
7	1	Grease Nipple	900431
8	5	Wheel Nut 5/8" UNF	900493
9	1	Hub	089200
10	5	Bolt 5/8" UNF x 2"	900047
11	1	Spacer Tube	039500
12	2	Ball Bearing	900323
13	2	Dirt Seal	067600
14	1	Wheel	900587
15	1	Tyre	900568
-	-	Hub Assy (Items 5, 6, 7, 9, 11, 12 & 13)	106100
-	-	Wheel Assy (Items 14 & 15)	088900

The following alternatives are fitted to Heavy Duty Ploughs with a 150 x 150mm Main Beam.

4a	1	Yoke	064300
6a	1	Axle Shaft	064600
8a	6	Wheel Nut 3/4" UNF	900494
9a	1	Hub	064400
10a	6	Bolt 3/4" UNF x 2 1/2"	900053
11a	1	Spacer Tube	064500
14a	1	Wheel	900585
15a	1	Tyre	900566
-	-	Hub Assy (Items 5,6a,7,9a,11a,12a &13a)	090000
-	-	Wheel Assy (Items 14a & 15a)	064700

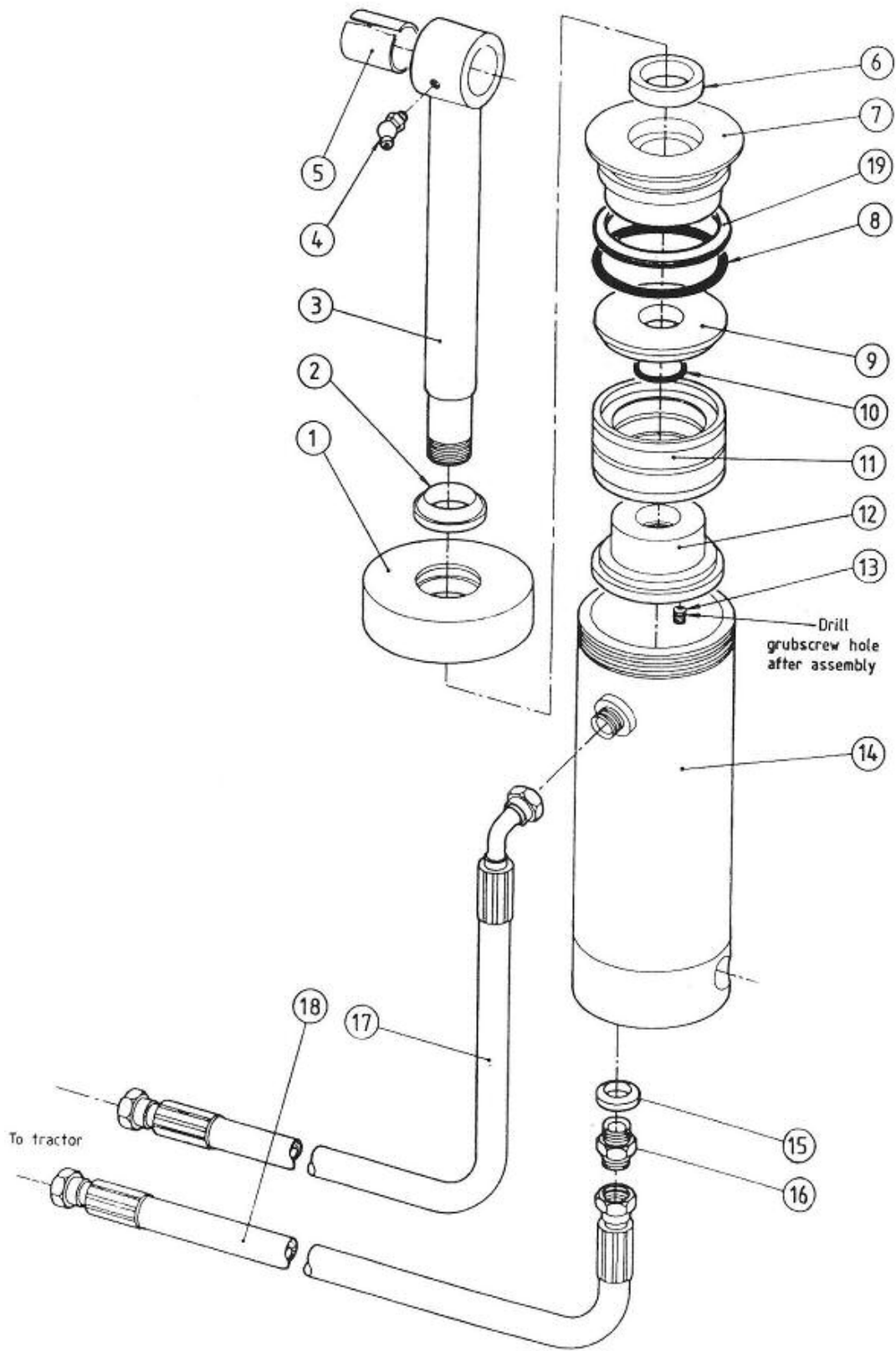
# TURNOVER HYDRAULICS



## TURNOVER HYDRAULICS

<u>ITEM</u>	<u>QTY</u>	<u>DESCRIPTION</u>	<u>4 1/2" Bore Long</u>	<u>4 1/2" Bore Short</u>	<u>4" Bore Short</u>
1	1	Hose Assembly (32" Hose)	042100	-	-
2	4	Adaptor 3/8" BSP	900391	-	-
3	5	Dowty Washer 3/8" BSP	900301	-	-
4	1	Relief Valve	088600	-	-
5	2	Nut 5/16" UNF	900102	-	-
6	2	Bolt 5/6" UNF x 2"	900014	-	-
7	1	Restricted Adaptor	900907	-	-
8	1	Hose Assembly (30" Hose)	153100	-	-
9	2	Grease Nipple	900431	-	-
10	1	Ram Tube	119300	086000	015400
11	1	Socket Setscrew 1/4" UNF	900151	-	-
12	1	Piston	048900	048900	015700
13	1	Double Acting Seal	900243	900243	900242
14	1	'O' Ring	900202	-	-
15	1	Piston Annulus	049000	049000	015600
16	1	'O' Ring	900205	900802	900204
17	1	Back-Up Ring	900802	900802	900800
18	1	Plug	048800	048800	015300
19	1	Single Acting Seal	900222	-	-
20	2	Tension Bush	900372	-	-
21	1	Piston Rod	119400	018600	018600
22	1	Wiper Seal	900262	-	-
23	1	End Cap	049200	049200	015200
24	2	Hose Assembly (42" Hose)	008400	-	-
-	-	Ram Seal Set (Items 13, 14, 16, 19 & 22)	073600	073600	052700
-	-	Ram Assembly (Items 9 - 23 Incl.)	119100	086300	005400

# DEPTH CONTROL HYDRAULICS

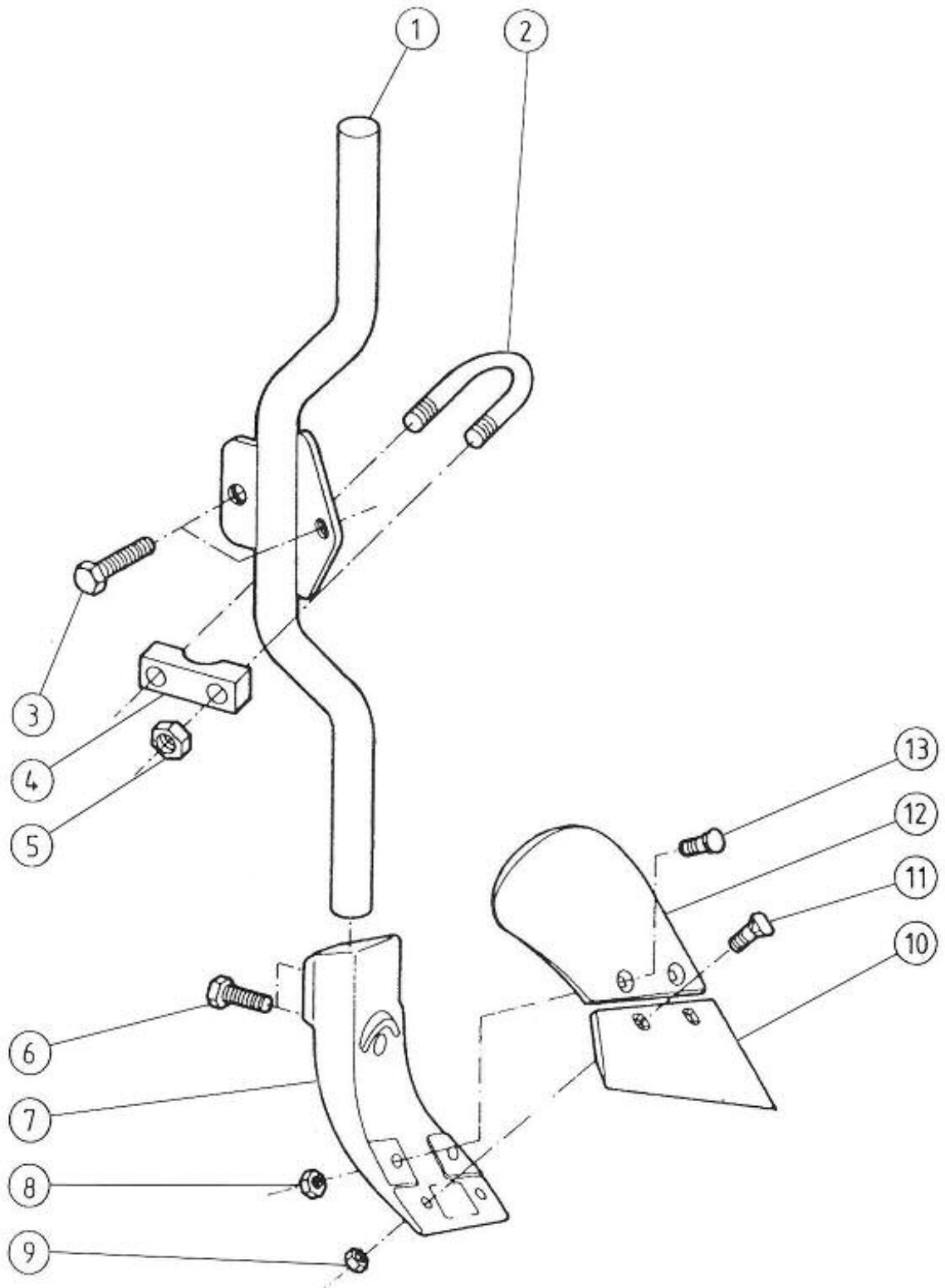


## DEPTH CONTROL HYDRAULICS

<u>ITEM</u>	<u>QTY</u>	<u>DESCRIPTION</u>	<u>PART NO</u>
1	1	End Cap	006600
2	1	Circlip	900261
3	1	Pistod Rod	018700
4	2	Grease Nipple	900433
5	1	TensioN Bush	900373
6	1	Single Acting Seal	900221
7	1	Plug	006500
8	1	'O' Ring	900203
9	1	Piston Annulus	006400
10	1	'O' Ring	900201
11	1	Double Acting Seal	900241
12	1	Piston	006300
13	1	Socket Setscrew 1/4" UNF	900151
14	1	Ram Tube	006800
15	1	Dowty Washer 3/8" BSP	900301
16	1	Adaptor 3/8" BSP	900391
17	1	Hose Assembly - To Suit Beam	-
18	1	Hose Assembly - To Suit Beam	-
19	1	Back-Up Ring	900801
-	-	Ram Seal Set (Items 2, 6, 8, 10 & 11)	052500
-	-	Ram Assembly (Items 1-14 incl.)	005900



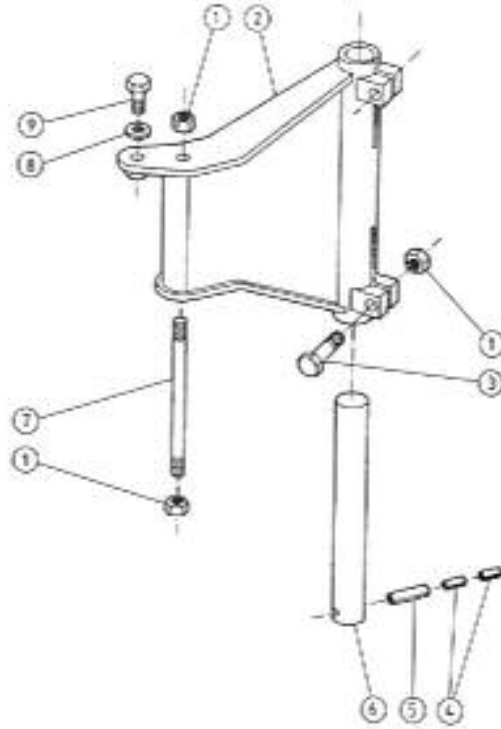
# **RESET SKIM**



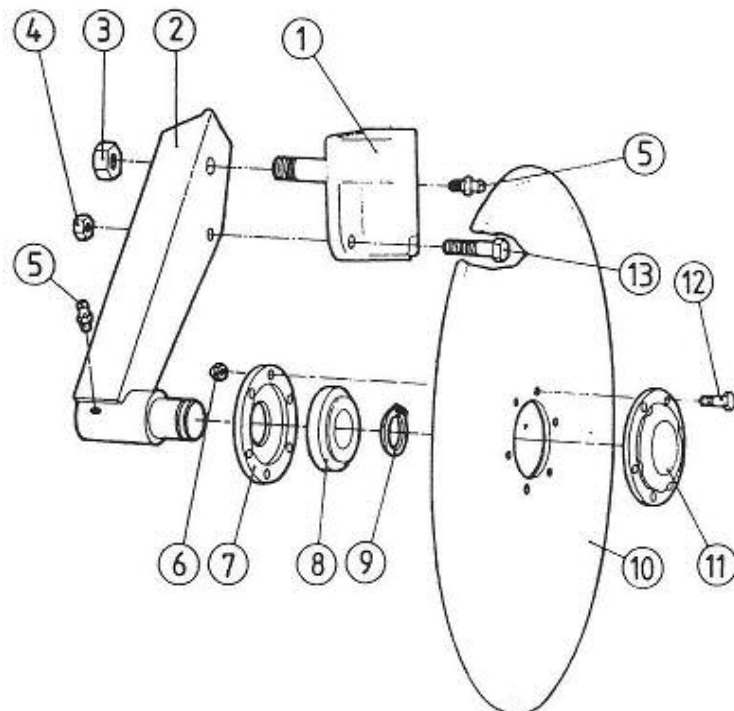
## RESET SKIM

<u>ITEM</u>	<u>QTY</u>	<u>DESCRIPTION</u>	<u>PART NO</u>
1	1	Skim Shank	054000
2	2	'U' Bolt	010700
3	2	Setscrew 5/8" UNC x 2 1/2"	900096
4	2	Clamp Block	010800
5	4	Nut 5/8" UNC	900496
6	2	Lockscrew	062700
7	1	Skim Frog ('J' Type) RH	048298
-	1	Skim Frog ('J' Type) LH	048299
8	4	Nut 3/8" UNF	900103
9	4	Nut 3/8" UNC	900498
10	1	Skim Point ('J' Type) RH	048098
-	1	Skim Point ('J' Type) LH	048099
11	4	Taper Head Bolt	900810
12	1	Skim Wing ('J' Type) RH	048198
-	1	Skim Wing ('J' Type) LH	048199
13	4	Countersunk Square Bolt	900141

## DISC BRACKET



## DISC ASSEMBLY



## **DISC BRACKET**

<u>ITEM</u>	<u>QTY</u>	<u>DESCRIPTION</u>	<u>PART NO</u>
1	4	Nut 5/8" UNF	900106
2	1	Disc Bracket	004800
3	2	Bolt 5/8" UNF x 2 1/2"	900043
4	4	Spring Pin 6mm Dia x 30mm	900541
5	2	Spring Pin 10mm x 60mm	900542
6	2	Stalk	013500
-	-	Stalk 30" Underbeam	188600
7	4	Stud 5/8" UNF x 7 5/8"	900501
8	1	Plain Washer 5/8"	900172
9	1	Bolt 5/8" UNF x 1 1/4"	900048

## **DISC ASSEMBLY**

<u>ITEM</u>	<u>QTY</u>	<u>DESCRIPTION</u>	<u>PART NO</u>
1	1	Disc Arm Swivel RH	013498
-	1	Disc Arm Swivel LH	013499
2	As Req.	Disc Arm 18" RH	052998
-	As Req.	Disc Arm 18" LH	052999
2a	As Req.	Disc Arm 20" RH	063698
-	As Req.	Disc Arm 20" LH	063699
3	1	Nut 3/4" UNF	900107
4	1	Nut 1/2" UNF	900105
5	2	Grease Nipple	900431
6	6	Self Locking Nut 5/16" UNF	900114
7	1	Bearing Housing (Inner)	055000
8	1	Ball Bearing	900324
9	1	Circlip	900601
10	As Req.	Disc 18" Plain	052800
10a	As Req.	Disc 20" Plain	053000
10b	As Req.	Disc 18" Cutaway	063800
11	1	Bearing Housing (Outer)	054900
12	6	Bolt 5/16" UNF x 1 1/8"	900012
13	1	Shear Bolt	900483

Disc Assemblies (Comprising Items 2, 6, 7, 8, 9, 10, 11 & 12)

-	-	18" Plain RH	063998 /	LH 063999
-	-	20" Plain RH	081898 /	LH 081899
-	-	18" Cutaway RH	081998 /	LH 081999
-	-	20" Cutaway RH	082098 /	LH 082099