

DP9 TURNOVER ASSEMBLY

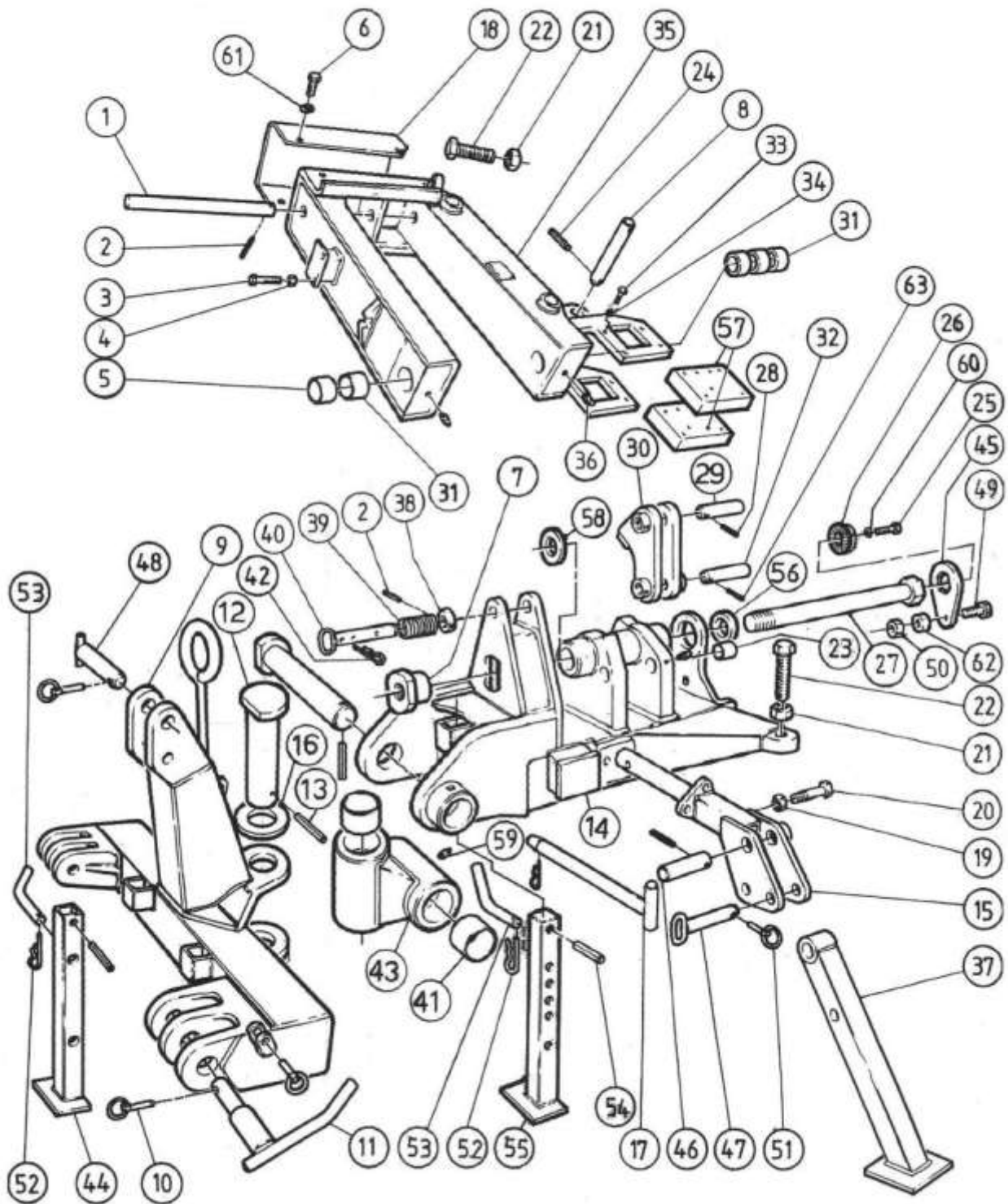


PLATE N^o
DP9-10
0298

DP9 TURNOVER ASSEMBLY

<u>ITEM</u>	<u>PART No.</u>	<u>DESCRIPTION</u>	<u>QTY.</u>
1	1081200	Top Ram Pin	1
2	900292	Spring Pin Ø5/16" x 2"	4
3	901027	Bolt M8 x 60	2
4	900781	Self Locking Nut	2
5	900350	Plain Bearing	1
6	901308	Setscrew M12 x 30	4
7	1037223	Locking Nut	1
8	1071000	Pin	1
9	1088200	Pivot Bracket	1
10	900527	Linch Pin	6
11	1281500	Bottom Link Pin	2
12	1035700	Front Pivot Pin	2
13	900558	Spring pin Ø10 x 100	2
14	1343100	Drawbar	1
15	1103300	Parking Stand Bracket L.H.	1
-	1103200	Parking Stand Bracket R.H.	1
16	315000	Spacer Collar	1
17	1042300	Stand Locking Pin	1
18	1099200	Hose Cover	1
19	900785	Self Locking nut M20	2
20	901111	Bolt M20 x 80	2
21	900777	Nut M30	4
22	902301	Setscrew M30 x 130	4
23	900374	Bush	2
24	900542	Spring Pin Ø10 x 60	2
25	901286	Setscrew M10 x 30	1
26	1343300	Valve Spigot	1
27	1343200	Main Pin	1
28	900285	Spring Pin Ø3/8" x 1 3/4"	4
29	1040600	Bottom Ram Pin	2
30	1343700	Turnover Link	2
31	900360	Plain Bearing	4
32	1343900	Pivot Pin	2
33	901023	Bolt M8 x 40	8
34	900781	M8 Nyloc Nut	8
35	1343000	Turnover Arm	1
36	900431	Grease Nipple	6
37	1103400	Stand Leg	2
38	1046400	Collar	1
39	900446	Spring	1
40	1037400	Locking Pin	1
41	900352	Plain Bearing	4
42	900522	'R' Clip	1
43	1088300	Pivot Joint	1
44	1098800	Front Stand	1
45	1350100	Retaining Plate	1
46	1104900	Pivot Pin	2
47	297600	Locking Pin	2
48	062500	Top Link Pin Cat 2	1
-	011900	Top Link Pin Cat 3	1
49	901081	Bolt M16 x 45	1
50	900784	Self Locking Nut M16 x 45	1
51	900529	Linch Pin	2
52	900521	'R' Clip	3
53	012500	Retaining Peg	2
54	900545	Spring Pin Ø8 x 90	2
55	1282000	Centre Parking Stand	1
56	1343500	Main Pin Spacer	1
57	1343400	Rubber Valve Mounting	2
58	239900	Spacer	1
59	900434	Grease Nipple	1
60	901188	M10 Spring Washer	1
61	901613	M12 Plain Washer	4
62	1357400	Spacer	1
63	900286	Roll Pin Ø3/8" x 2"	1

Not shown on drawing:

-	901802	Hose Clamp	6
-	901826	Hose Clamp Cover	3
-	901023	Bolt M8 x 40mm	3
-	901403	D Shackle	2
-	901424	Chain (9 Links)	1

PLATE N ^o
DP9-10
0298

DP9 MAIN BEAM

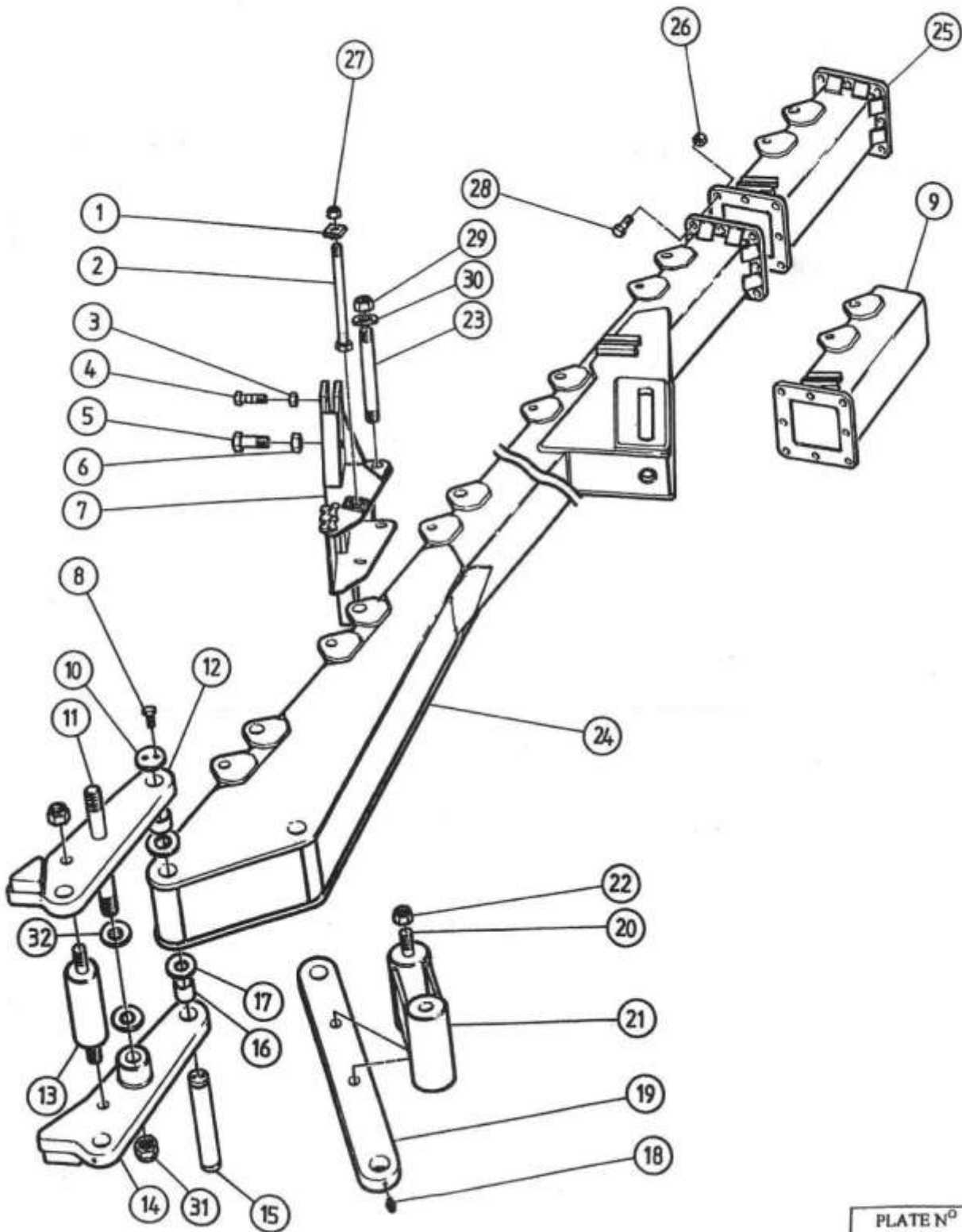


PLATE N°
DP9-11
0897

DP9 MAIN BEAM

<u>ITEM</u>	<u>PART No.</u>	<u>DESCRIPTION</u>	<u>QTY.</u>
1	1022700	Serrated Washer	2*
2	901130	Bolt M20 x 300mm	1*
3	900496	Nut 5/8" UNC	2*
4	900481	Shearbolt	2*
5	900063	Bolt 1" UNF x 3 1/4"	2*
6	900109	Nut 1" UNF	2*
7	1097000	Adjustable Leg Bracket	1*
8	901283	Setscrew M10 x 20	16
9	1109600	Extension Single Flange	As Req
10	1061900	Retaining Plate	8
11	1040900	Stud	1
12	1083098	Top Strap R.H.	1
13	1035600	Spacer Tube	1
14	1083099	Top Strap L.H.	1
15	1061800	Beam Pivot Pin	4
16	902205	Plain Bearing	8
17	900364	Thrust Washer	8
18	900431	Grease Nipple	8
19	1035200	Bottom Strap	2
20	1040800	Stud	3
21	1083500	Strap Spacer	1
22	900786	Self Locking Nut M24	6
23	1036000	Stud	As Req
24	1104400	Main Beam 6 Furrow	As Req
-	1104500	Main Beam 7 Furrow	As Req
25	1034400	Extension Double Flange	As Req
26	900785	Self Locking Nut M20	As Req
27	900785	Self Locking Nut M20	1*
28	902253	Bolt M20 X 70	As Req
29	900786	Self Locking Nut M24	2*
30	901610	Washer M24	2*
31	900752	Self Locking Nut M30 Fine	2
32	900363	Thrust Washer	2

* These quantities are per furrow.

DP9 WHEEL BEAM

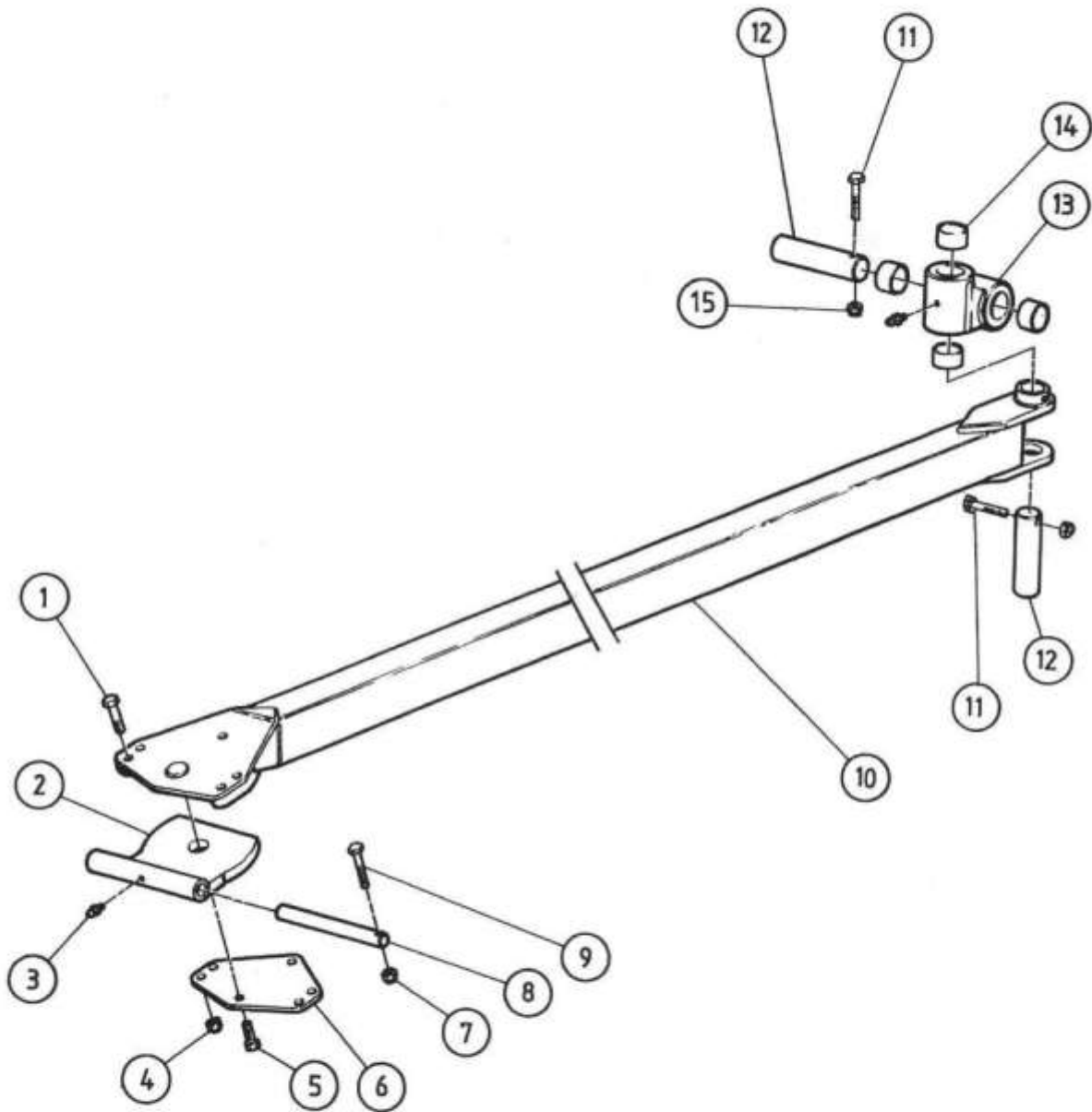


PLATE N°
DP9-12
0897

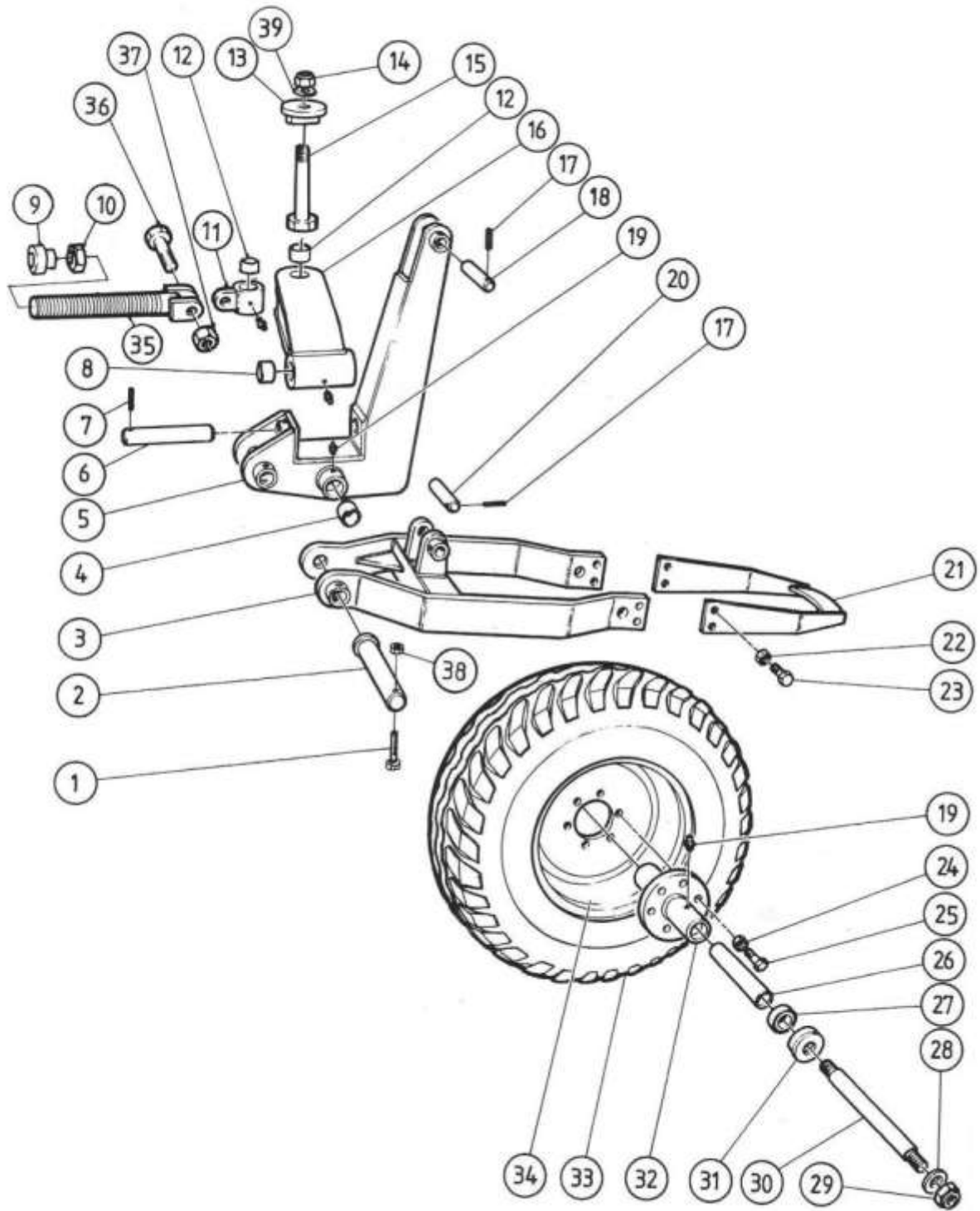
DP9 WHEEL BEAM

<u>ITEM</u>	<u>PART No.</u>	<u>DESCRIPTION</u>	<u>QTY.</u>
1	901088	Bolt M16 x 80mm	5
2	1103500	Swinging Pivot	1
3	900431	Grease Nipple	3
4	900784	Self Locking Nut M16	5
5	900041	Bolt 5/8" UNF x 1"	1
6	026100	Keep Plate	1
7	900115	Self Locking Nut 3/8" UNF	1
8	166300	Pivot Pin	1
9	900027	Bolt 3/8" UNF x 3 1/2"	1
10	1102600	Wheel Beam 6F Basic	1
-	1102700	Wheel Beam 7F Basic	1
11	901077	Bolt M12 x 110mm	2
12	1102500	Pivot Pin	2
13	1101600	Wheel Beam Pivot	1
14	900355	Plain Bearing	4
15	900783	Self Locking Nut M12	2

Not shown on drawing:

-	901802	Hose Clamp	6
-	901826	Hose Clamp Cover	3
-	901023	Bolt M8 x 40mm	3

DP9 WHEEL ASSEMBLY



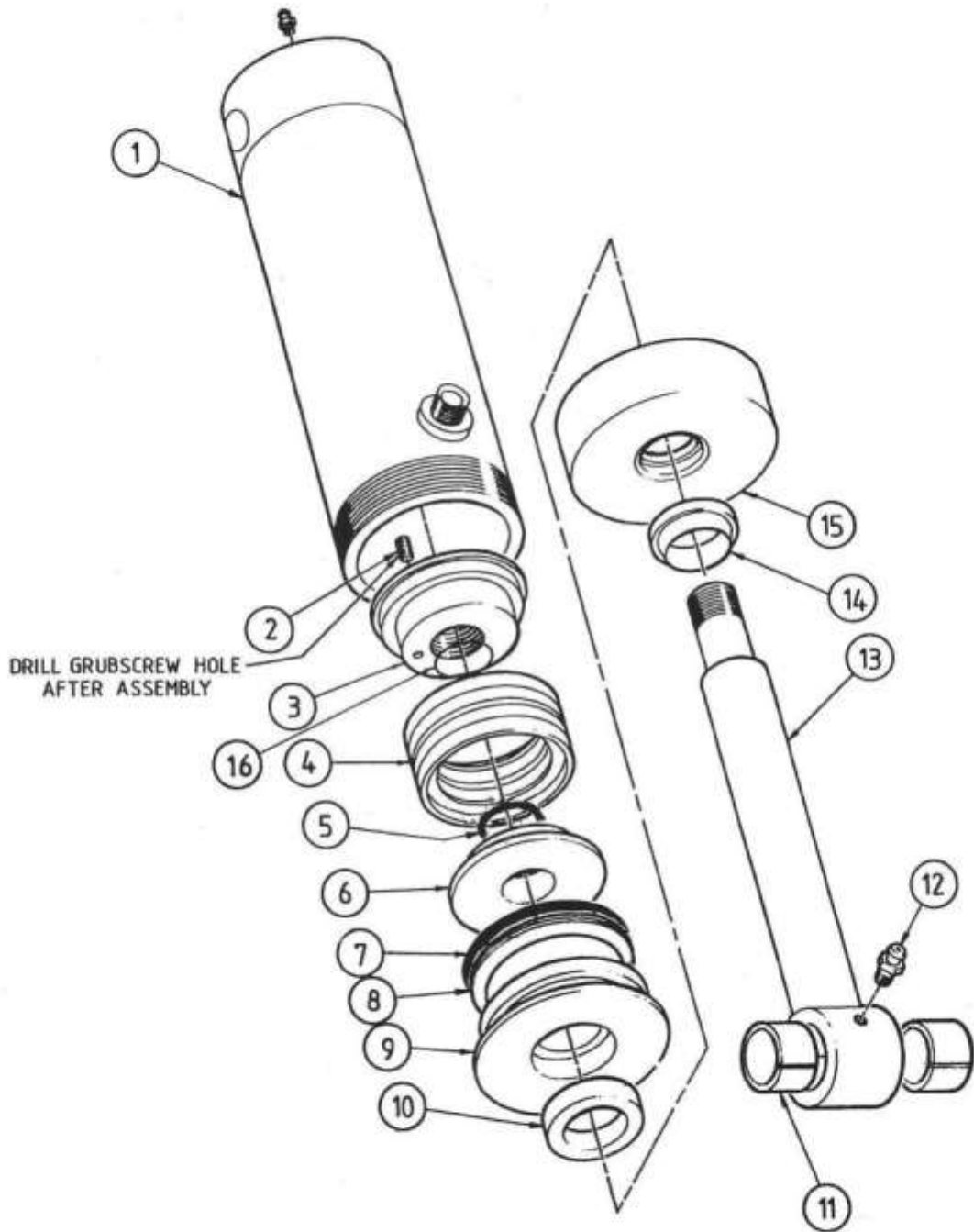
DP9 WHEEL ASSEMBLY

<u>ITEM</u>	<u>PART No.</u>	<u>DESCRIPTION</u>	<u>QTY.</u>
1	901077	Bolt M12 x 110mm	1
2	1102400	Yoke Pivot Pin	1
3	1101400	Wheel Yoke	1
4	900355	Plain Bearing	2
5	1101300	Depth Control Bracket	1
6	295800	Wheel Arm Pin	1
7	900546	Spring Pin Ø10 x 90	1
8	900350	Plain Bearing	2
9	1104700	Adjuster Nut	1
10	902321	Nut	1
11	1177300	Pivoting Adjuster Eye	1
12	900356	Plain Bearing	4
13	1103000	Adjuster Plate	2
14	900128	Self Locking Nut 1 ½" BSF	1
15	1112400	Wheel Arm Stud	1
16	1338800	Wheel Arm	1
17	900292	Spring Pin Ø 5/16" x 2"	2
18	1102300	Ram Pin	1
19	900431	Grease Nipple	8
20	295800	Ram Pin Ø32 x 190	1
21	1103100	Wheel Scraper	1
22	900784	Self Locking Nut M16	4
23	901083	Bolt M16 x 55	4
24	900494	Wheel Nut ¾" UNF	6
25	900053	Bolt ¾" UNF x 2 ½"	6
26	1101100	Spacer Tube	1
27	900323	Ball Bearing	2
28	900180	Washer	2
29	900112	Self Locking Nut 1" UNF	2
30	1101200	Axle Shaft	1
31	067600	Dirt Seal	2
32	1101000	Wheel Hub	1
33	901732	Tyre	1
34	900596	Rim	1
35	1103700	Adjuster Screw	1
36	901141	M24 x 90mm Bolt	1
37	900786	M24 Nyloc Nut	1
38	900783	M12 Nyloc Nut	1
39	1074300	Spacer	1
-	1109400	Hub Assembly (Items 19, 26-32)	As Req
-	1109500	Wheel Assembly (Items 33,34)	As Req

Not shown on drawing:

-	901801	Hose Clamp	12
-	901787	Bolt M6 x 25mm	12

DP9 TURNOVER RAM



DP9 TURNOVER RAM

<u>ITEM</u>	<u>PART No.</u>	<u>DESCRIPTION</u>	<u>QTY.</u>
1	072400	Ram Tube Assembly	1
2	900151	Socket Setscrew	1
3	1344400	Piston	1
4	900244	Double Acting Seal	1
5	900215	'O' Ring	1
6	1344300	Piston Annulus	1
7	900206	'O' Ring	1
8	900803	Backup Ring	1
9	073100	Bearing Plug	1
10	900222	Single Acting Seal	1
11	900372	Bush	2
12	900431	Grease Nipple	2
13	1304400	Piston Rod	1
14	900262	Wiper Seal	1
15	072900	Screwed End Cap	1
16	900809	PTFE Backup Ring	1
-	073000	Ram Assembly	As Req
-	1344500	Seal Set (4,5,7,8,10,14,16)	As Req

DP9 OFFSET RAM

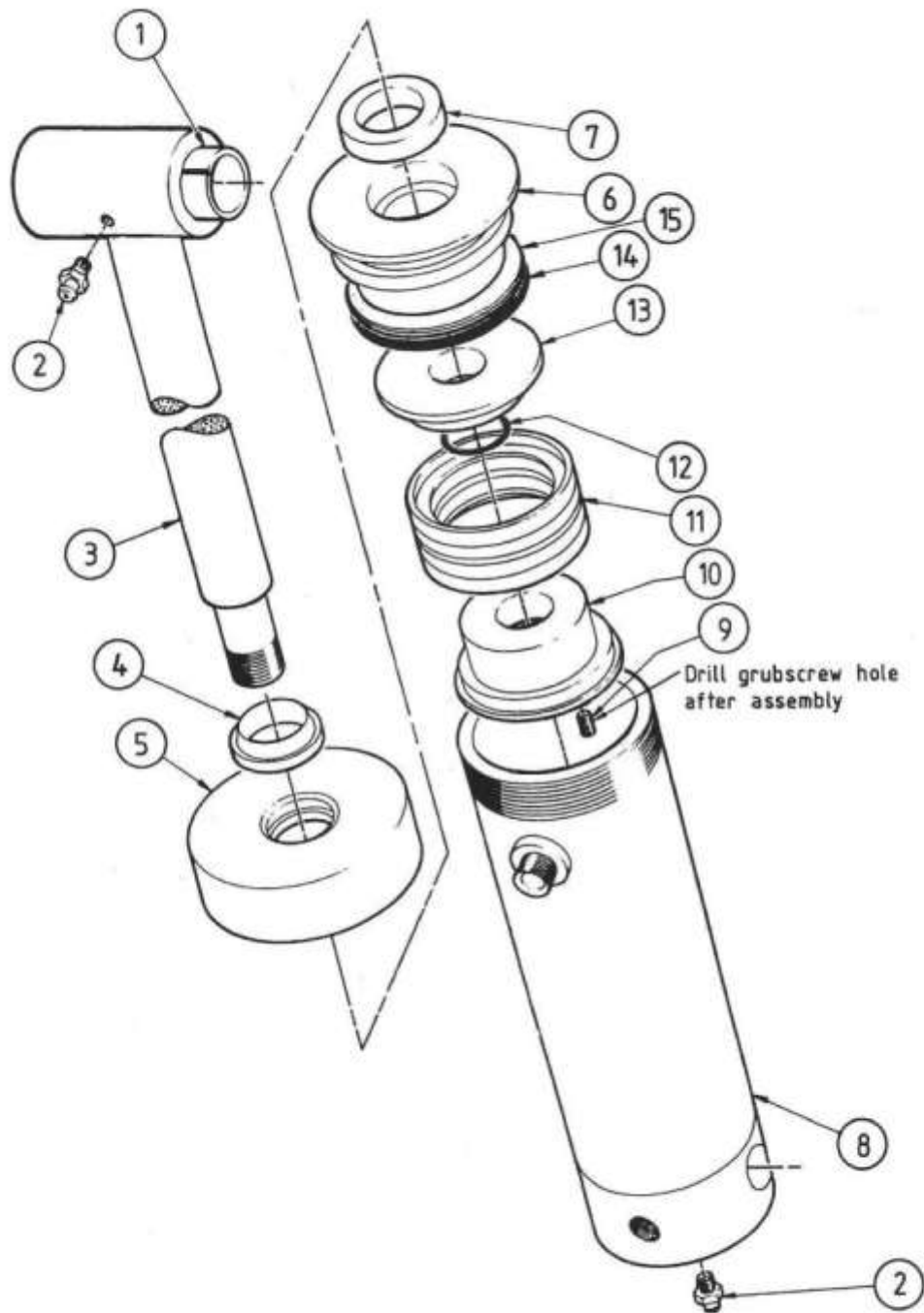
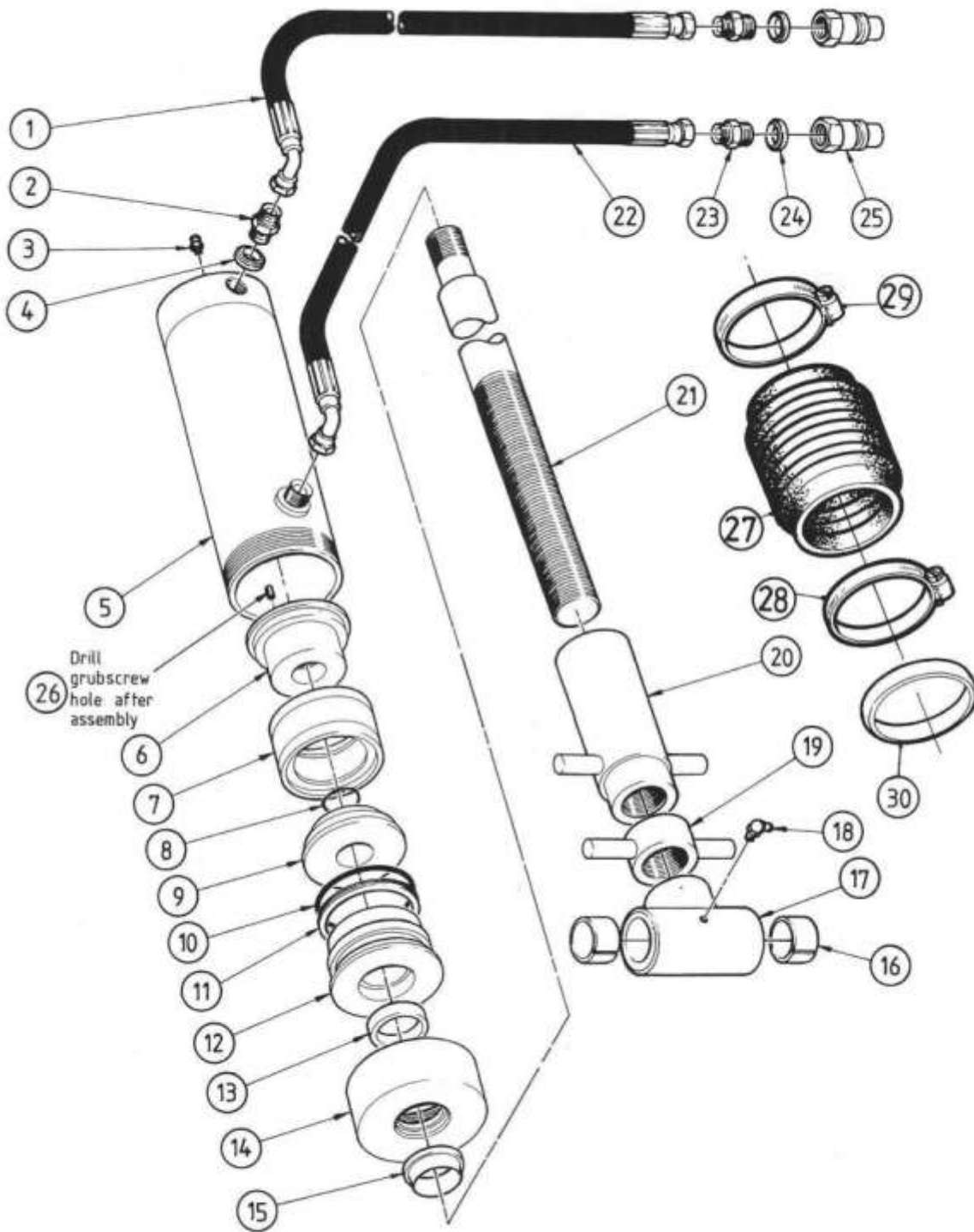


PLATE N^o
DP9-15
0897

DP9 OFFSET RAM

<u>ITEM</u>	<u>PART No.</u>	<u>DESCRIPTION</u>	<u>QTY.</u>
1	900372	Tension Bush	2
2	900431	Grease Nipple	2
3	1082900	Piston Rod	1
4	900262	Ram Wiper	1
5	015200	End Cap	1
6	015300	End Plug	1
7	900222	Single Acting Seal	1
8	1082800	Tube Assembly	1
9	900151	Socket Setscrew	1
10	015700	Piston	1
11	900242	Double Acting Seal	1
12	900202	'O' Ring	1
13	015600	Piston Annulus	1
14	900204	'O' Ring	1
15	900800	Back-up Ring	1
-	1082700	Ram Assembly	As Req
-	052700	Seal Set	As Req

DP9 DEPTH CONTROL RAM



DP9 DEPTH CONTROL RAM

<u>ITEM</u>	<u>PART No.</u>	<u>DESCRIPTION</u>	<u>QTY.</u>
1	1112100	Hose Assembly (381")	As Req
-	1112300	Hose Assembly (420")	As Req
2	900391	Male Adapter 3/8" BSP	1
3	900431	Grease Nipple	1
4	900301	Dowty Washer 3/8" BSP	1
5	1101800	Ram Tube	1
6	015700	Piston	1
7	900242	Double Acting Seal	1
8	900202	'O' Ring	1
9	015600	Piston Annulus	1
10	900204	'O' Ring	1
11	900800	Backup Ring	1
12	015300	Plug	1
13	900222	Single Acting Seal	1
14	015200	End Cap	1
15	900262	Wiper Seal	1
16	900372	Tension Bush	2
17	1102000	Ram Eye	1
18	900434	Grease Nipple 90°	1
19	1102200	Locking nut	1
20	1102100	Adjuster Tube	1
21	1101900	Ram Rod	1
22	1112000	Hose Assembly (369")	As Req
-	1112200	Hose Assembly 408"	As Req
23	900392	Male Adapter 1/2" - 3/8" BSP	2
24	900302	Dowty Washer 1/2" BSP	2
25	900611	Self Sealing Coupling	2
26	900151	Socket Set Screw	1
27	902176	Rubber Gaiter	1
28	902972	Jubilee Clip	1
29	902971	Jubilee Clip	1
30	903101	Plastic Support Ring	1
-	1101700	Ram Assembly	As Req
-	052700	Seal Set	As Req

DP9 DISC ASSEMBLY

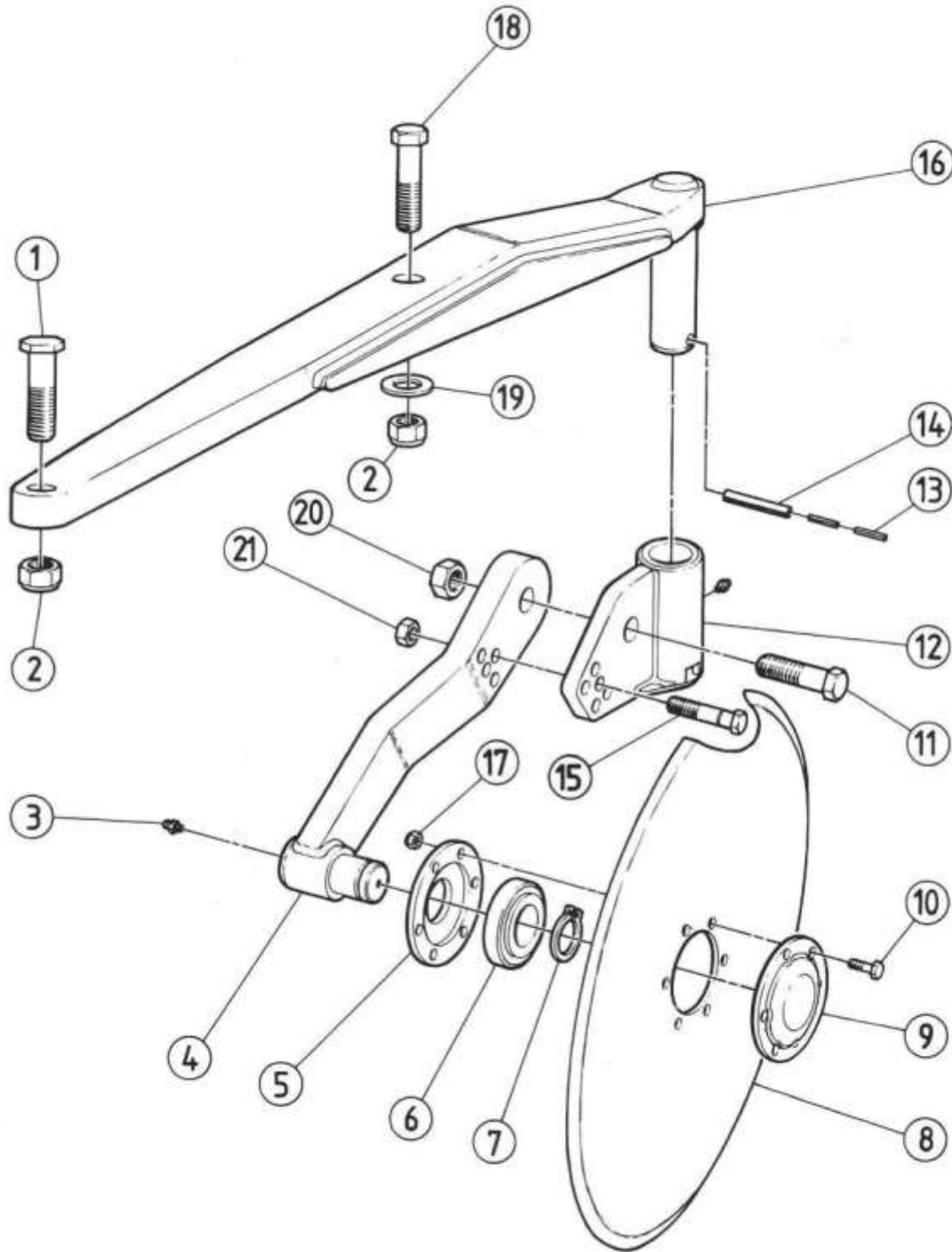


PLATE N^o
DP9-17
0897

DP9 DISC ASSEMBLY

<u>ITEM</u>	<u>PART No.</u>	<u>DESCRIPTION</u>	<u>QTY.</u>
1	900930	Pivot Bolt	2
2	900785	Self Locking Nut M20	4
3	900431	Grease Nipple	4
4	1046000	Disc Arm	2
5	055000	Bearing Housing (Inner)	2
6	900324	Ball Bearing	2
7	900601	Circlip	2
8	052800	Disc 18" Plain	As Req
8a	063800	Disc 18" Cutaway	As Req
9	054900	Bearing Housing (Outer)	2
10	901263	Bolt M8 x 30mm	12
11	900053	Bolt ¼" UNF x 2 ½"	2
12	1064100	Disc Swivel	2
13	900541	Spring Pin Ø6 x 30	4
14	900542	Spring Pin Ø10 x 60	2
15	900488	Shearbolt	2
16	1045800	Disc Bracket	2
17	900781	M8 Nyloc Nut	12
18	900931	Bolt M20	2
19	901607	Washer	2
20	900107	Nut ¼" UNF	2
21	900105	Nut ½" UNF	2

DP9 HYDRAULIC LAYOUT

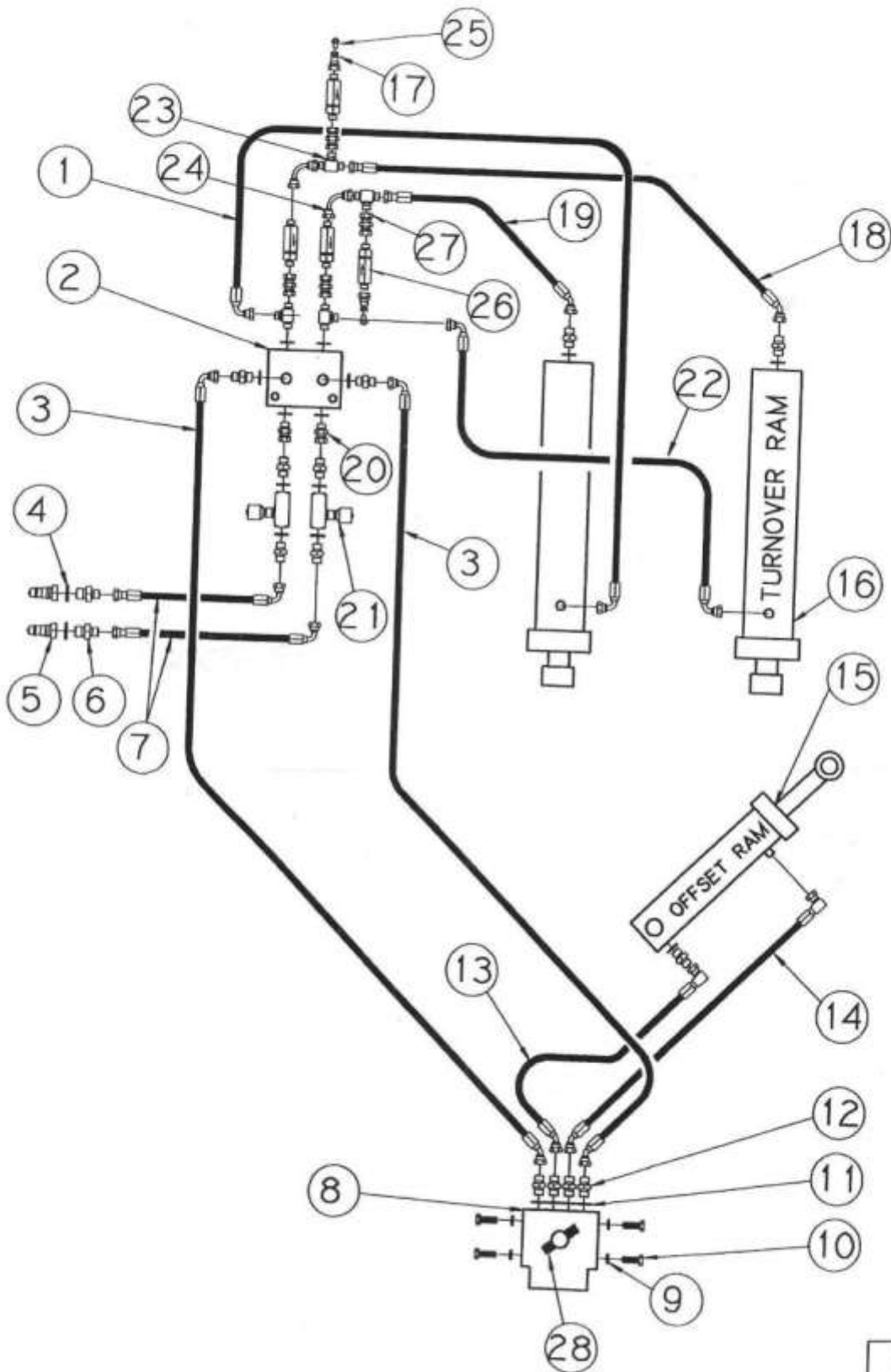


PLATE N°
DP9-18
0897

DP9 HYDRAULIC LAYOUT

<u>ITEM</u>	<u>PART No.</u>	<u>DESCRIPTION</u>	<u>QTY.</u>
1	1352000	Hose Assembly 37"	1
2	1073600	Check Valve	1
3	1352100	Hose Assembly 67"	2
4	900302	Dowty Washer 1/2" BSP	2
5	900611	Self Sealing Coupling	2
6	900392	Male Adapter 1/2" - 3/8" BSP	2
7	043800	Hose Assembly 80"	2
8	1134900	Rotary Valve	1
9	901187	Spring Washer	1
10	901264	SetscREW M8 x 35	4
11	900301	Dowty Washer 3/8" BSP	17
12	900391	Male Adapter 3/8" BSP	13
13	1352500	Hose Assembly 19"	1
14	1352600	Hose Assembly 15"	1
15	1082700	Offset Ram	1
16	073000	Turnover Ram 5" Bore	2
17	902885	Female / Female Adapter	2
18	1352200	Hose Assembly 14"	1
19	1352300	Hose Assembly 6.5"	1
20	900981	Female / Male Adapter	2
21	900983	Restrictor Valve	2
22	1352400	Hose Assembly 44"	1
23	900758	Tee Piece 3/8" BSP	4
24	902886	Female / Female Elbow	2
25	900741	Ram Breather	2
26	902042	One Way Valve	4
27	900768	Female / Female Adapter	4
28	900288	Spring Pin	1

