

DP 8 B SERIES – PLOUGH

HEADSTOCK

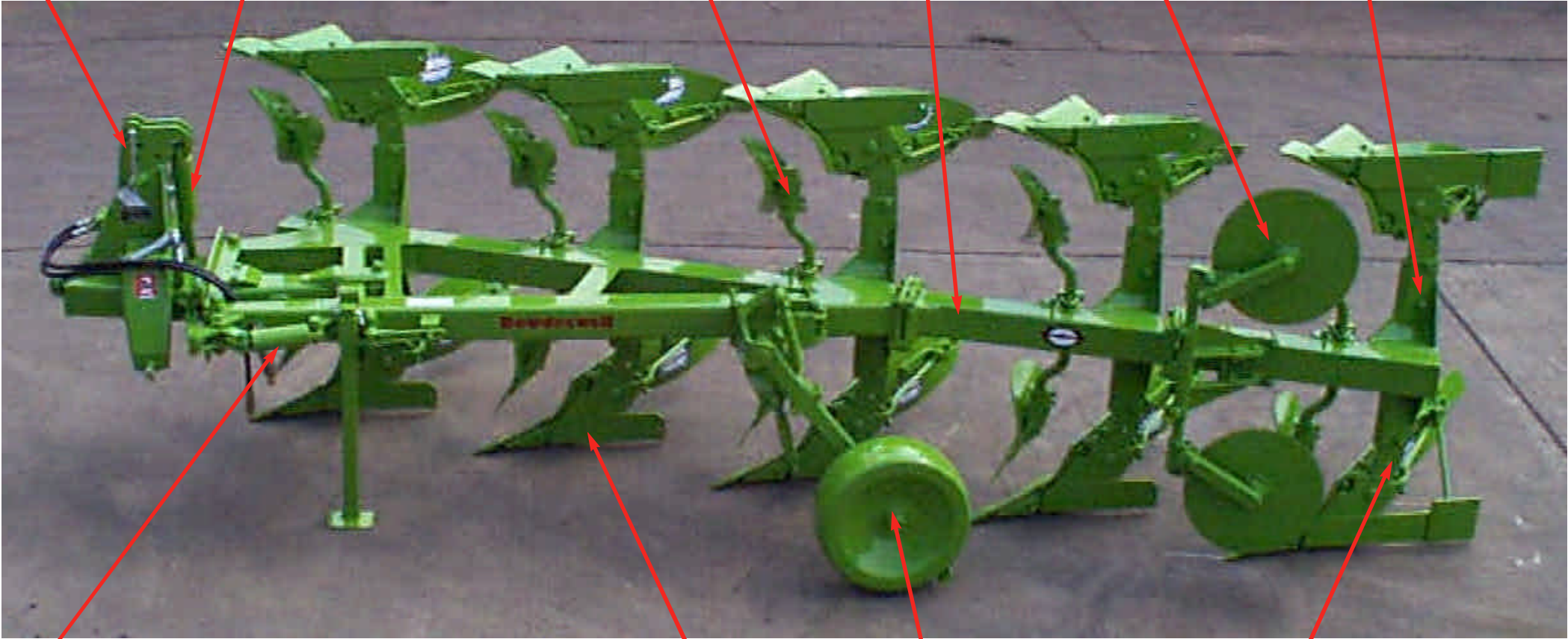
TURNOVER
HYDRAULICS

SKIM
ASSEMBLY

BEAM
ASSEMBLY

DISC
ASSEMBLY

LEG



OFFSET
HYDRAULICS

PLOUGH
BODY

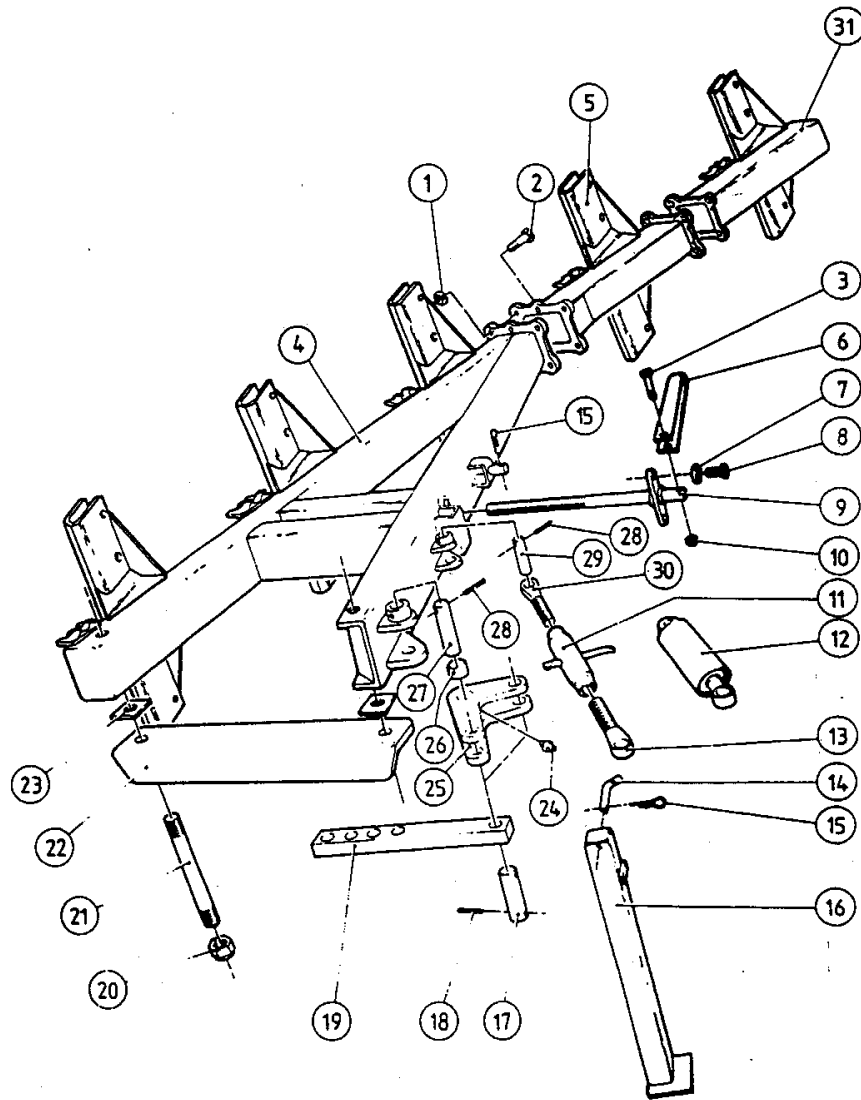
WHEEL
ASSEMBLY

LEG
SHEARBOLTS

 PLOUGH SELECTION

Dowdeswell

DP 8 B SERIES – BEAM ASSEMBLY



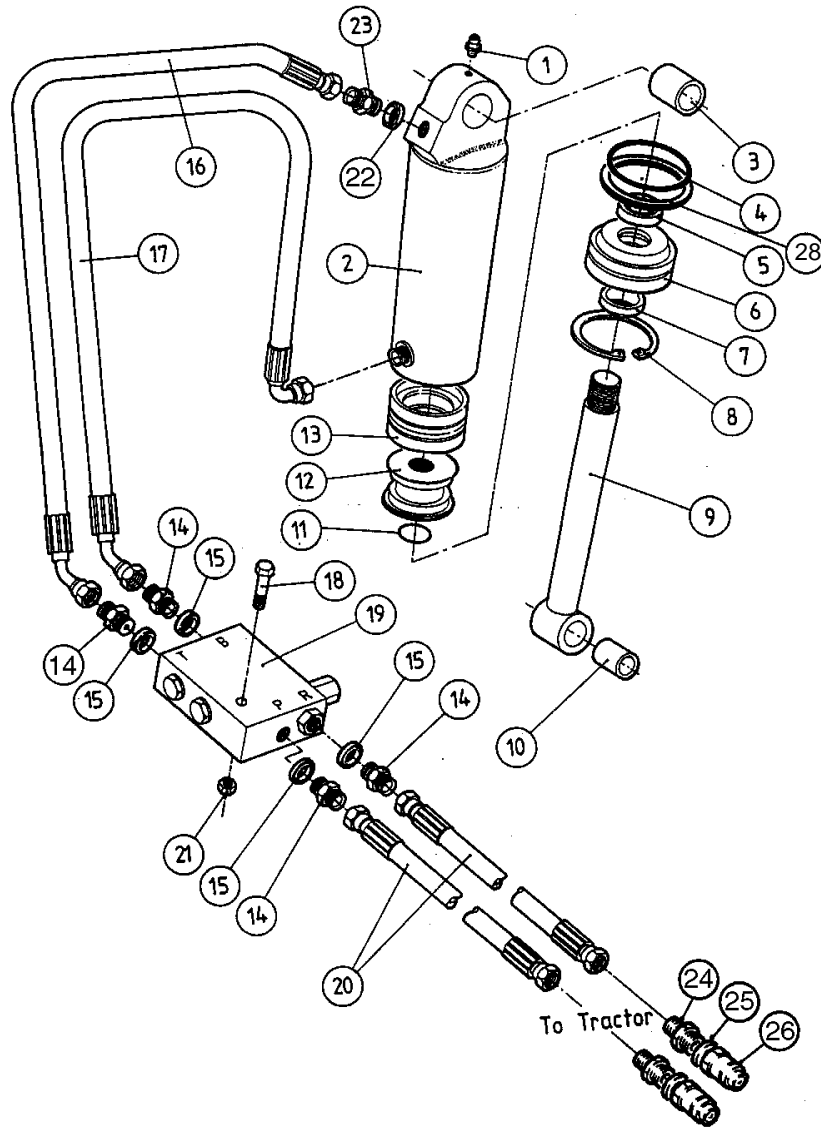
ITEM	PART NO.	DESCRIPTION	QTY.
1	900116	Nut 5/8" UNF	-
2	900043	Bolt 5/8" UNF x 2" 1/2	-
3	900027	Bolt 3/8" UNF x 2 1/2"	1
4	196300	Main Beam 3 Furrow 12"	-
4a	196200	Main Beam 3 Furrow 14"	-
5	152300	Intermediate Extension Beam 12"	-
5a	146700	Intermediate Extension Beam 14"	-
6	1156300	Adjuster Handle	1
7	900196	Spring Washer	2
8	900868	Bolt 5/8" UNC x 1 1/2"	2
9	197100	Offset Adjuster 3 Furrow	-
10	900115	Self Locking Nut 3/8" UNF	1
11	196700	Turnbuckle Body	-
12	252200	Ram Assembly	-
13	196600	Adjuster Screw Left Hand	-
14	012500	Retaining Peg	1
15	900521	'R' Clip	2
16	250800	Support Leg	1
17	192100	Pin	2
18	900547	Spring Pin Ø6 x 40	4
19	197000	Link	1
20	900112	Self Locking Nut 1" UNF	4
21	900504	Stud 1" UNF x 210mm	2
22	250300	Front Support 12" 2 & 3 Furrow	-
22a	250200	Front Support 14"	-
22b	250100	Front Support 12" 3 Furrow	-
23	198100	Packer	4
24	900431	Grease Nipple	1
25	196900	Lever	1
26	900346	Plain Bearing	2
27	192400	Pin	1
28	900282	Spring Pin Ø5 16" x 1 1/2"	2
29	192300	Pin	1
30	196500	Adjuster Screw Right Hand	1
31	152400	End Extension Beam 12"	-
31a	146800	End Extension Beam 14"	-



PLOUGH ASSEMBLY

Dowdeswell

DP 8 B SERIES – TURNOVER HYDRAULICS



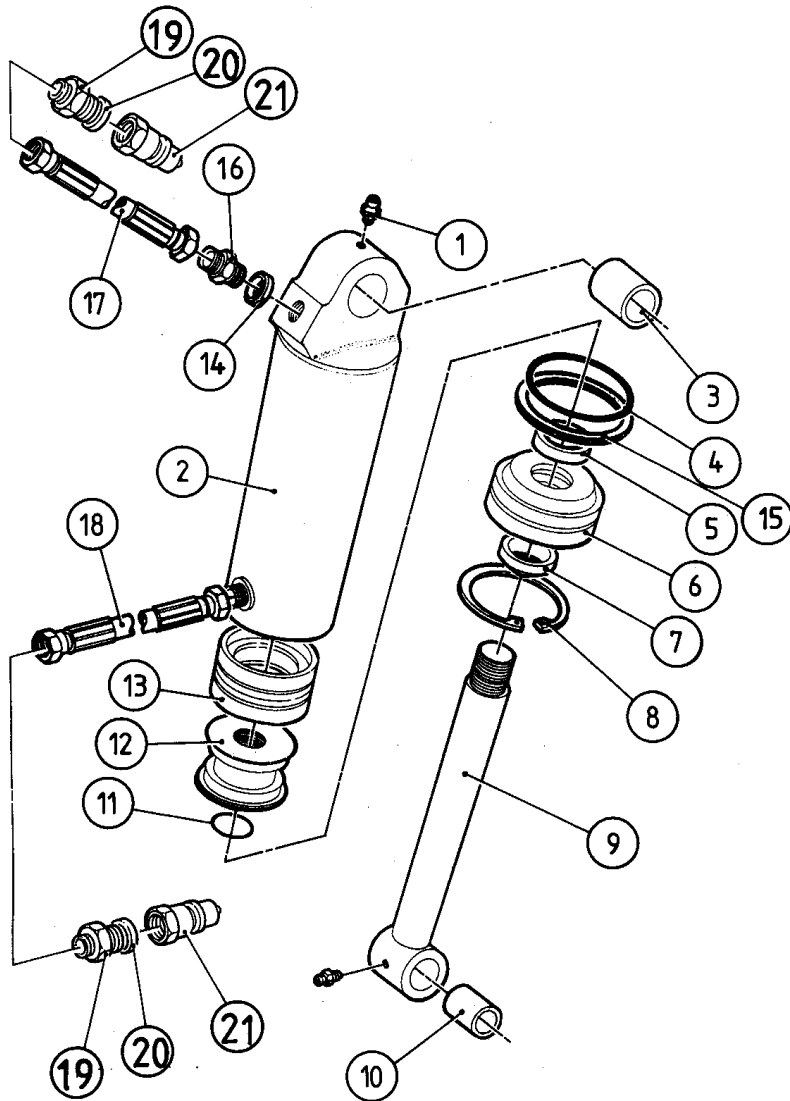
ITEM	PART NO.	DESCRIPTION	QTY.
1	900431	Grease Nipple	1
2	148100	Ram Tube	1
3	900378	Tension Bush	1
4	900210	'O'Ring	1
5	900227	Single Acting Seal	1
6	1114200	Bung	1
7	900266	Ram Wiper	1
8	900722	Circlip	1
9	1114300	Piston Rod	1
10	900377	Tension Bush	1
11	900209	'O'Ring	1
12	148300	Piston	1
13	900246	Double Acting Seal	1
14	900391	Adaptor 3/8" BSP	4
15	900301	Dowty Washer 3/8" BSP	4
16	151700	Hose Assembly (16" Hose)	1
17	151800	Hose Assembly (18" Hose)	1
18	900014	Bolt 5/16" UNF x 2"	1
19	265800	Turnover Valve	1
20	008400	Hose Assembly (42" Hose)	2
21	900782	Self Locking Nut M10	1
22	900306	Dowty Washer 1/4" BSP	1
23	900400	Adaptor 1/4" BSP/3/8"BSP	1
24	900306	Dowty Washer 1/4" BSP	1
25	900302	Dowty washer 1/2" BSP x 0.08	2
26	900611	Male Quick Coupler	2
28	900805	Back up Ring	1
-	226200	Ram Seal Set	-
-	1114100	Ram Assembly (Items 1 - 13 incl.)	-



PLOUGH ASSEMBLY

Dowdeswell

DP 8 B SERIES – OFFSET HYDRAULICS



ITEM	PART NO.	DESCRIPTION	QTY.
1	900431	Grease Nipple	1
2	252300	Ram Tube	1
3	900378	Tension Bush	1
4	900210	'O' Ring	1
5	900225	Single Acting Seal	1
6	148200	Bung	1
7	900263	Ram Wiper	1
8	900722	Circlip	1
9	252400	Piston Rod	1
10	900377	Tension Bush	1
11	900209	'O' Ring	1
12	148300	Piston	1
13	900246	Double Acting Seal	1
14	900306	Dowty Washer 1/4" BSP	1
15	900805	Back Up Ring	1
16	900395	Adapter 1/4" x 1/4" BSP	1
17	191800	Hose Assembly (92" Hose)	1
18	193300	Hose Assembly (83" Hose)	1
19	900392	Adapter 1/2" x 3/8" BSP	2
20	900302	Dowty Washer 1/2" BSP	2
21	900611	Male Quick Release Coupling	2
-	151600	Seal Set	-
-	252200	Ram Assembly	-

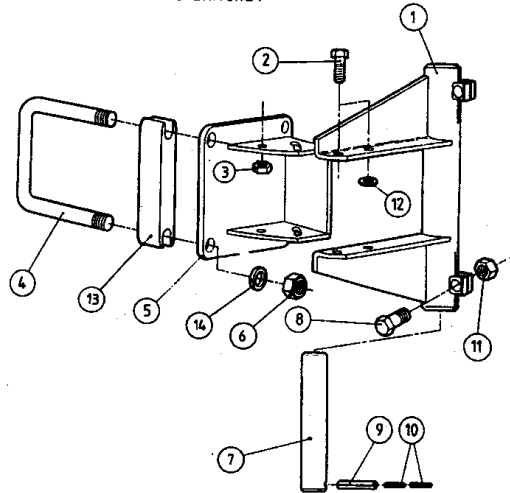


PLOUGH ASSEMBLY

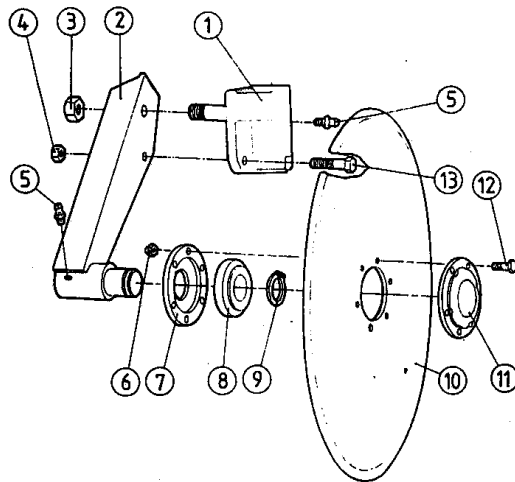
Dowdeswell

DP 8 B SERIES – DISC ASSEMBLY

DP 8 DISC BRACKET



DISC ASSEMBLY



ITEM	PART NO.	DESCRIPTION	QTY.
1	154500	Disc Tube Bracket	1
2	900048	Bolt 5/8" UNF x 1.1/4"	4
3	900106	Nut 5/8" UNF	4
4	150200	'U'Bolt	2
5	154600	Disc Clamp Bracket	1
6	900496	Nut 5/8" UNF	4
7	013500	Stalk	2
8	900043	Bolt 5/8" UNF x 2.1/2"	2
9	900542	Spring Pin 10mm Dia x 60mm	2
10	900541	Spring Pin 10mm Dia x 30mm	4
11	900106	Nut 5/8" UNF	2
12	900172	Washer 5/8"	2
13	154700	Packer	As Req
14	900196	Spring Washer 5/8"	4

DISC ASSEMBLY

ITEM	PART NO.	DESCRIPTION	QTY.
1	013498	Disc Arm Swivel RH	1
	013499	Disc Arm Swivel LH	1
2	052998	Disc Arm 18" RH	As Req
	052999	Disc Arm 18" LH	As Req
2	063698	Disc Arm 20" RH	As Req
	063699	Disc Arm 20" LH	As Req
3	900107	Nut 3/4" UNF	1
4	900105	Nut 1/2" UNF	1
5	900431	Grease Nipple	2
6	900114	Self Locking Nut 5/16" UNC	6
7	055000	Bearing Housing (Inner)	1
8	900324	Ball Bearing	1
9	900601	Circlip	1
10	052800	Disc 18" Plain	As Req
10a	053000	Disc 20" Plain	As Req
10b	063800	Disc 18" Cutaway	As Req
11	054900	Bearing Housing (Outer)	1
12	900012	Bolt 5/16" UNF x 1.1/8"	6
13	900483	Shearbolt	1



PLOUGH ASSEMBLY

Dowdeswell

DP 8, DF 100 & ALL RESET PLOUGH LEGS

Item Number 1

All Ploughs Listed Above Except DF 100 HA

UNDERBEAM CLEARANCE (Inches)

DP8, DP5 LS	DF 100 MA	RESET	BODY TYPE	PART NO	I.D Dimension
27.25	28.50		DD/DDS	146398	496mm
28.75		27.00	DD/DDS	183800	532mm
26.25	28.00		UCN/SCN	146398	496mm
28.00		26.50	UCN/SCN	183800	532mm
26.50	28.00	25.50	YCN	315300	531
	26.5		YCN	1078200	484mm
-			M-Slatt	-	-

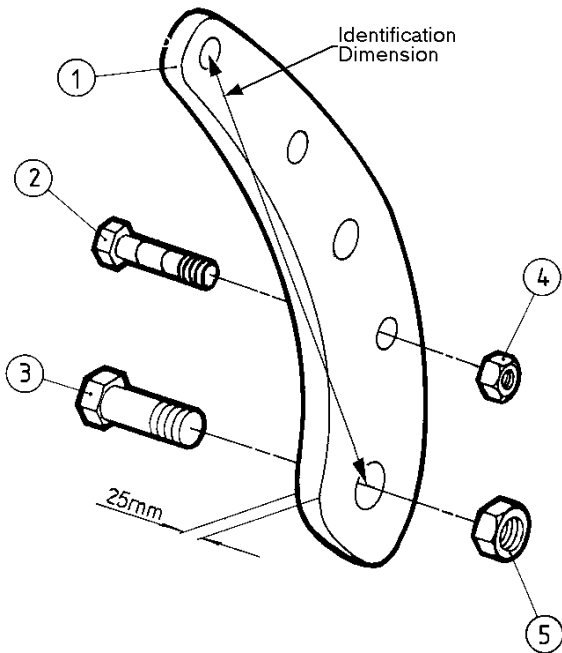
DF 100 HA

UNDERBEAM CLEARANCE (Inches)

UNDERBEAM CLEARANCE (Inches)	BODY TYPE	PART NO	I.D Dimension
28.50	DD/DDS	1135700	472mm
28.00	UCN/SCN	1135700	472mm
28.00	YCN	1135900	493mm

Leg Pivot and Shear Bolts. All 'A' Items Are For DF 100 HA.

ITEM	PART NO	DESCRIPTION	QTY./LEG
2	-	Leg Shear Bolt	-
2A	-	Leg Shear Bolt	-
3	900052	Bolt 3/4" UNF x 2 3/4"	1
3A	902771	Bolt M24 x 80 (Special)	1
4	900496	Nut 5/8" UNC	1
4A	900774	Plain Nut M16	1
5	900109	Nut 1" UNF	1
5A	902332	Plain Nut M24 (Special)	1



PLOUGH ASSEMBLY

Dowdeswell

SHEARBOLTS

