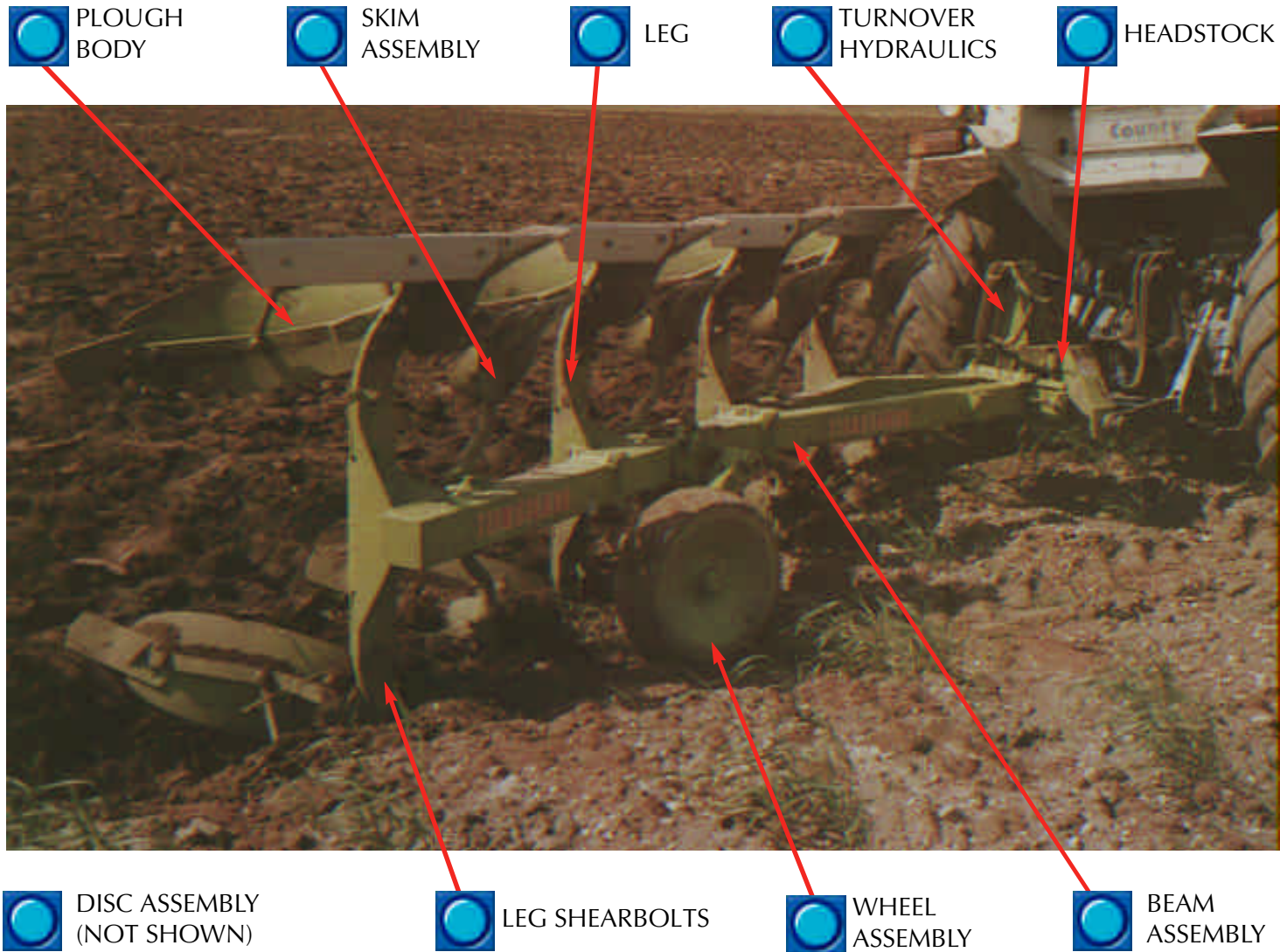


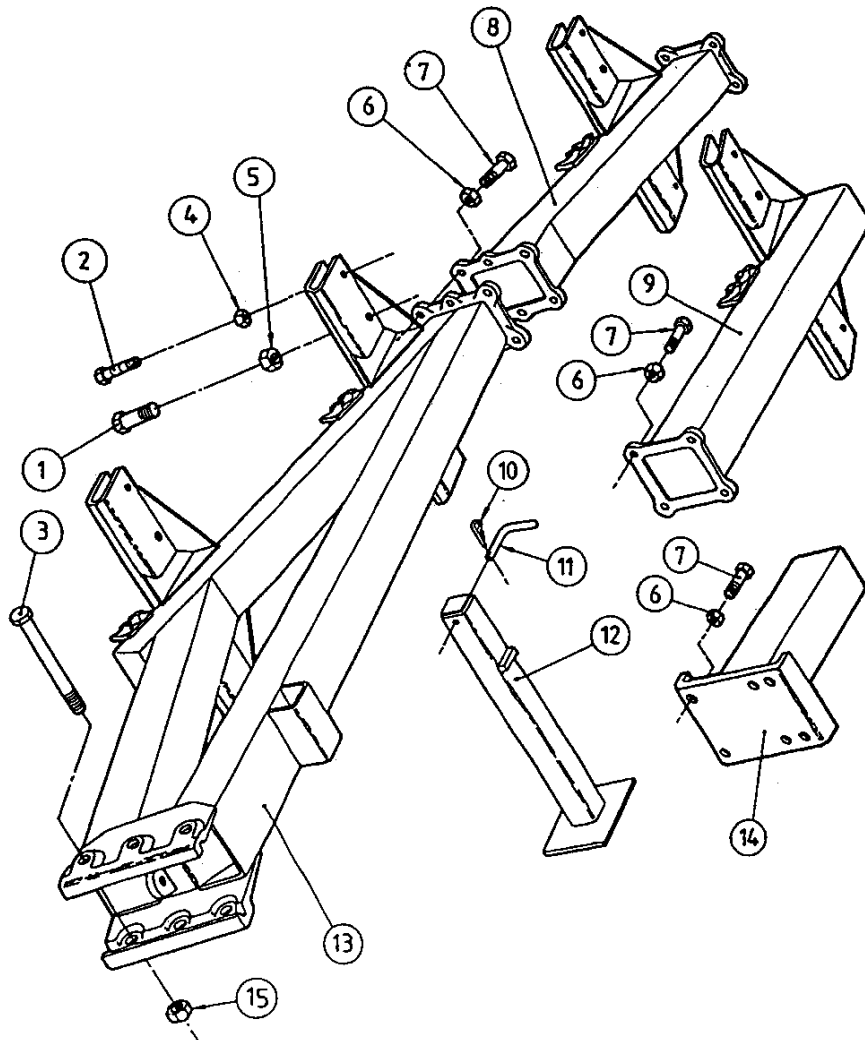
# DP8A SERIES – PLOUGH



PLOUGH SELECTION

# Dowdeswell

# DP8A SERIES – BEAM ASSEMBLY



ITEM	PART NO.	DESCRIPTION	QTY.
1	900055	Bolt 3/4" UNF x 2.3/4"	2*
2	900486	Shear Bolt	2*
3	900058	Bolt 3/4" UNF x 8.1/2"	3
4	900496	Nut 5/8" UNC	2*
5	900107	Nut 3/4" UNF	2*
6	900116	Self Locking Nut 5/8" UNF	As Req
7	900043	Bolt 5/8" UNF x 2.1/2"	As Req
8	152300	Intermediate Extension Beam (12")	As Req
8a	146700	Intermediate Extension Beam (14")	As Req
9	152400	Extension Beam (12")	As Req
9a	146800	Extension Beam (14")	As Req
10	900521	`R' Clip	1
11	012500	Retaining Peg	1
12	091100	Support Leg	1
13	150500 (162900)	Main Beam (12")	As req
13a	146100 (154400)	Main Beam (14")	As Req
14	164200	Wheel Mounting Stub	As Req
15	900107	Nut 3/4" UNF	3

\* These quantities are per furrow.

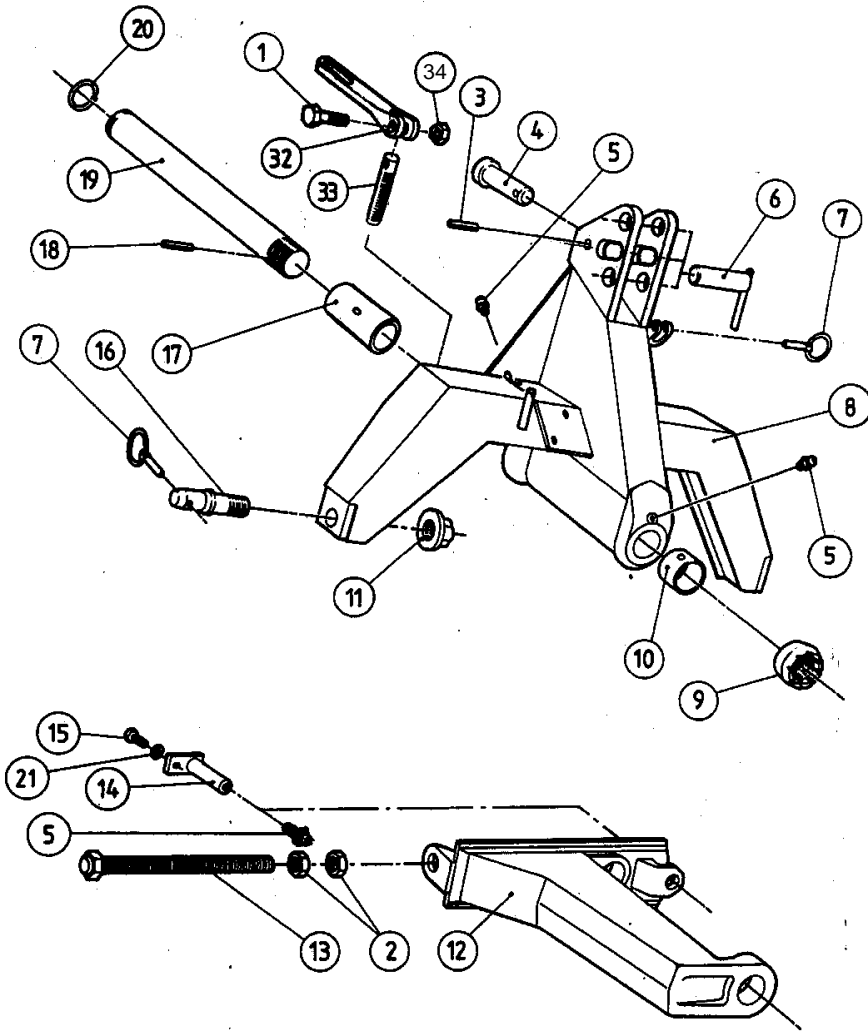
Alternative numbers in brackets refer to 3 furrow basic beams.



PLOUGH ASSEMBLY

# Dowdeswell

# DP8A SERIES – HEADSTOCK



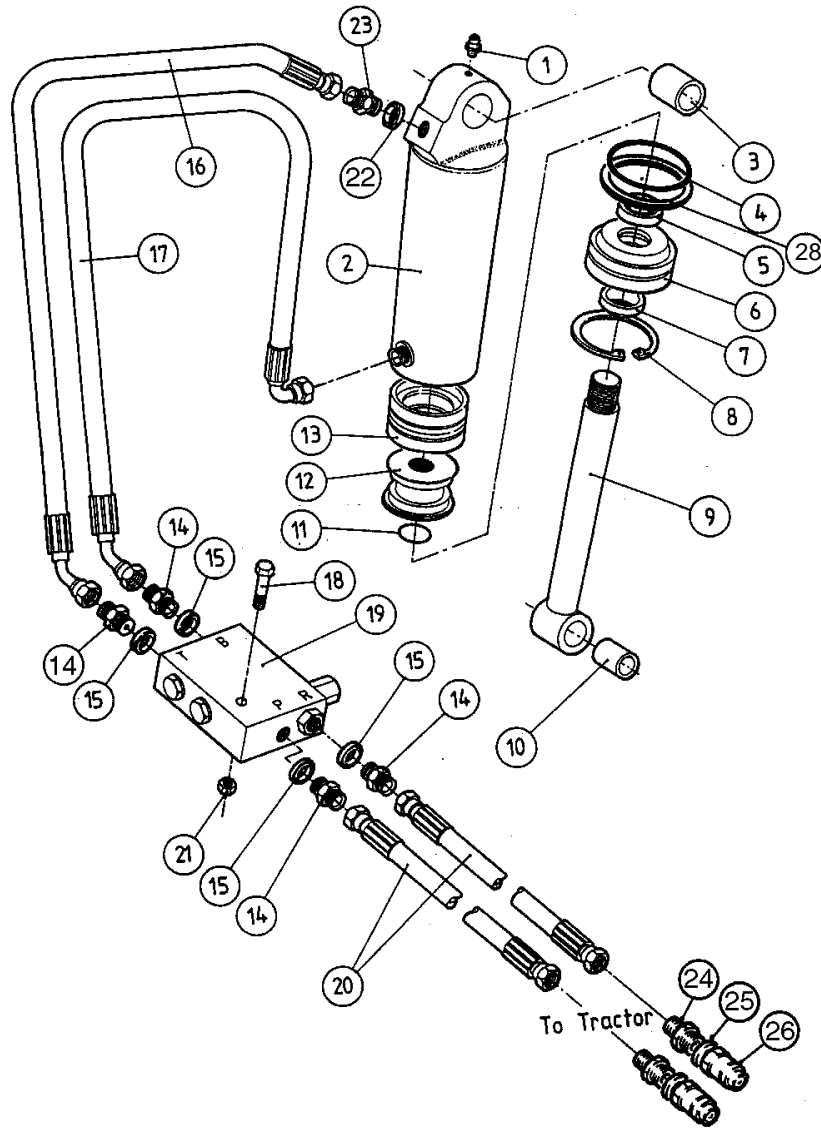
ITEM	PART NO.	DESCRIPTION	QTY.
1	900027	Bolt 3/8" UNF x 2.5"	2
2	900902	Nut 3/4" UNC	2
3	900292	Spring Pin	1
4	149300	Top Ram Pin	1
5	900431	Grease Nipple	3
6	145800	Top Link Pin	1
7	900526	Linch Pin	3
8	163100	Headstock	1
9	147000	Castellated Nut	1
10	900846	Plain Bearing	1
11	900681	Nut	2
12	146200	Stub Beam	1
13	149600	Offset Adjuster Screw	1
14	149900	Bottom Ram Pin	1
15	1070000	Setscrew 3/8" UNF x 3/4"	1
16	163200	Bottom Link Pin (155mm Long)	2
17	900849	Plain Bearing	2
18	900290	Spring Pin 3/8" x 3"	1
19	146900	Turnover Shaft	1
20	900603	Circlip	1
31	900193	Spring Washer 3/8"	1
32	305500	Handle	1
33	1027100	Stud	1
34	900115	Nut 3/8" UNF	2



PLOUGH ASSEMBLY

**Dowdeswell**

# DP8A SERIES – TURNOVER HYDRAULICS



ITEM	PART NO.	DESCRIPTION	QTY.
1	900431	Grease Nipple	1
2	148100	Ram Tube	1
3	900378	Tension Bush	1
4	900210	'O'Ring	1
5	900227	Single Acting Seal (30mm Rod)	1
5A	900225	Single Acting Seal (25mm Rod)	-
6	1114200	Bung (30mm Rod)	1
6A	148200	Bung (25mm Rod)	-
7	900266	Ram Wiper (30mm Rod)	1
7A	900263	Ram Wiper (25mm Rod)	-
8	900722	Circlip	1
9	1114300	Piston Rod (30mm Rod)	1
9A	148400	Piston Rod (25mm Rod)	-
10	900377	Tension Bush	1
11	900209	'O'Ring	1
12	148300	Piston	1
13	900246	Double Acting Seal	1
14	900391	Adaptor 3/8" BSP	4
15	900301	Dowty Washer 3/8" BSP	4
16	151700	Hose Assembly (16" Hose)	1
17	151800	Hose Assembly (18" Hose)	1
18	901043	Bolt M10 x 70	1
19	265800	Turnover Valve	1
20	008400	Hose Assembly (56" Hose)	2
21	900782	Self Locking Nut M10	1
22	900306	Dowty Washer 1/4" BSP	1
23	900400	Adaptor 1/4" BSP/3/8"BSP	1
24	900306	Dowty Washer 1/4" BSP	1
25	900302	Dowty washer 1/2" BSP x 0.08	2
26	900611	Male Quick Coupler	2
28	900805	Back up Ring	1
-	226200	Ram Seal Set (30mm Rod)	-
-	1114100	Ram Assembly	-
-	151600	Ram Seal Set (25mm Rod)	-
-	148000	Ram Assembly	-

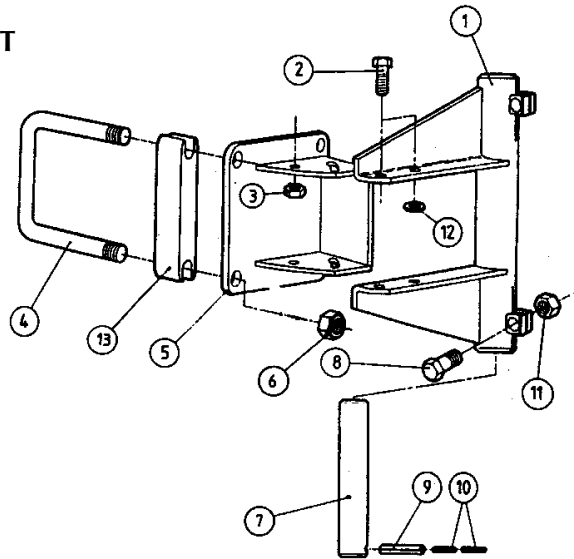


PLOUGH ASSEMBLY

**Dowdeswell**

# DP8A SERIES – DISC ASSEMBLY

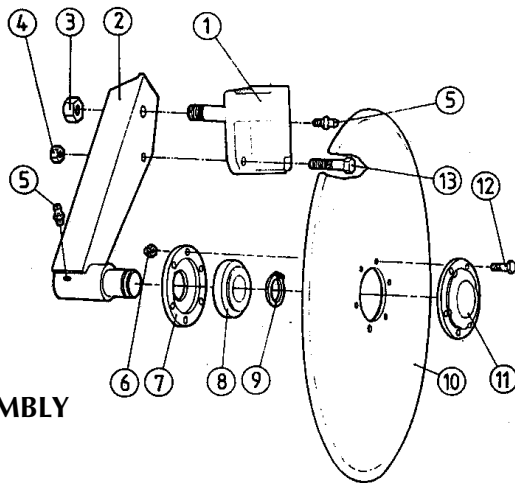
DISC BRACKET



DISC BRACKET

ITEM	PART NO.	DESCRIPTION	QTY.
1	154500	Disc Tube Bracket	1
2	900048	Bolt 5/8" UNF x 1.1/4"	4
3	900106	Nut 5/8" UNF	4
4	150200	'U'Bolt	2
5	154600	Disc Clamp Bracket	1
6	900496	Nut 5/8" UNC	4
7	013500	Stalk	2
8	900043	Bolt 5/8" UNF x 2.1/2"	2
9	900542	Spring Pin 10mm Dia x 60mm	2
10	900541	Spring Pin 10mm Dia x 30mm	4
11	900106	Nut 5/8" UNF	2
12	900172	Washer 5/8"	2
13	154700	Packer	As Req
14	900196	Spring Washer 5/8"	4

DISC ASSEMBLY



DISC ASSEMBLY

ITEM	PART NO.	DESCRIPTION	QTY.
1	013498	Disc Arm Swivel RH	1
	013499	Disc Arm Swivel LH	1
2	052998	Disc Arm 18" RH	As Req
	052999	Disc Arm 18" LH	As Req
	063698	Disc Arm 20" RH	As Req
	063699	Disc Arm 20" LH	As Req
3	900107	Nut 3/4" UNF	1
4	900105	Nut 1/2" UNF	1
5	900431	Grease Nipple	2
6	900114	Self Locking Nut 5/16" UNF	6
7	055000	Bearing Housing (Inner)	1
8	900324	Ball Bearing	1
9	900601	Circlip	1
10	052800	Disc 18" Plain	As Req
10a	053000	Disc 20" Plain	As Req
10b	063800	Disc 18" Cutaway	As Req
11	054900	Bearing Housing (Outer)	1
12	900012	Bolt 5/16" UNF x 1.1/8"	6
13	900483	Shearbolt	1



PLOUGH ASSEMBLY

**Dowdeswell**

# DP 8, DF 100 & ALL RESET PLOUGH LEGS

## Item Number 1

### All Ploughs Listed Above Except DF 100 HA

#### UNDERBEAM CLEARANCE (Inches)

DP8, DP5 LS	DF 100 MA	RESET	BODY TYPE	PART NO	I.D Dimension
27.25	28.50		DD/DDS	146398	496mm
28.75		27.00	DD/DDS	183800	532mm
26.25	28.00		UCN/SCN	146398	496mm
28.00		26.50	UCN/SCN	183800	532mm
26.50	28.00	25.50	YCN	315300	531
	26.5		YCN	1078200	484mm
-			M-Slatt	-	-

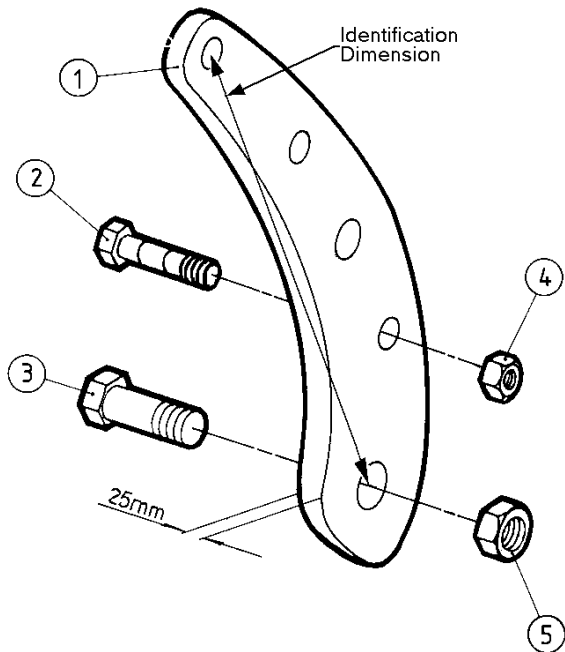
### DF 100 HA

#### UNDERBEAM CLEARANCE (Inches)

UNDERBEAM CLEARANCE (Inches)	BODY TYPE	PART NO	I.D Dimension
28.50	DD/DDS	1135700	472mm
28.00	UCN/SCN	1135700	472mm
28.00	YCN	1135900	493mm

### Leg Pivot and Shear Bolts. All 'A' Items Are For DF 100 HA.

ITEM	PART NO	DESCRIPTION	QTY./LEG
2	-	Leg Shear Bolt	-
2A	-	Leg Shear Bolt	-
3	900052	Bolt 3/4" UNF x 2 3/4"	1
3A	902771	Bolt M24 x 80 (Special)	1
4	900496	Nut 5/8" UNC	1
4A	900774	Plain Nut M16	1
5	900109	Nut 1" UNF	1
5A	902332	Plain Nut M24 (Special)	1



PLOUGH ASSEMBLY

# Dowdeswell

SHEARBOLTS

