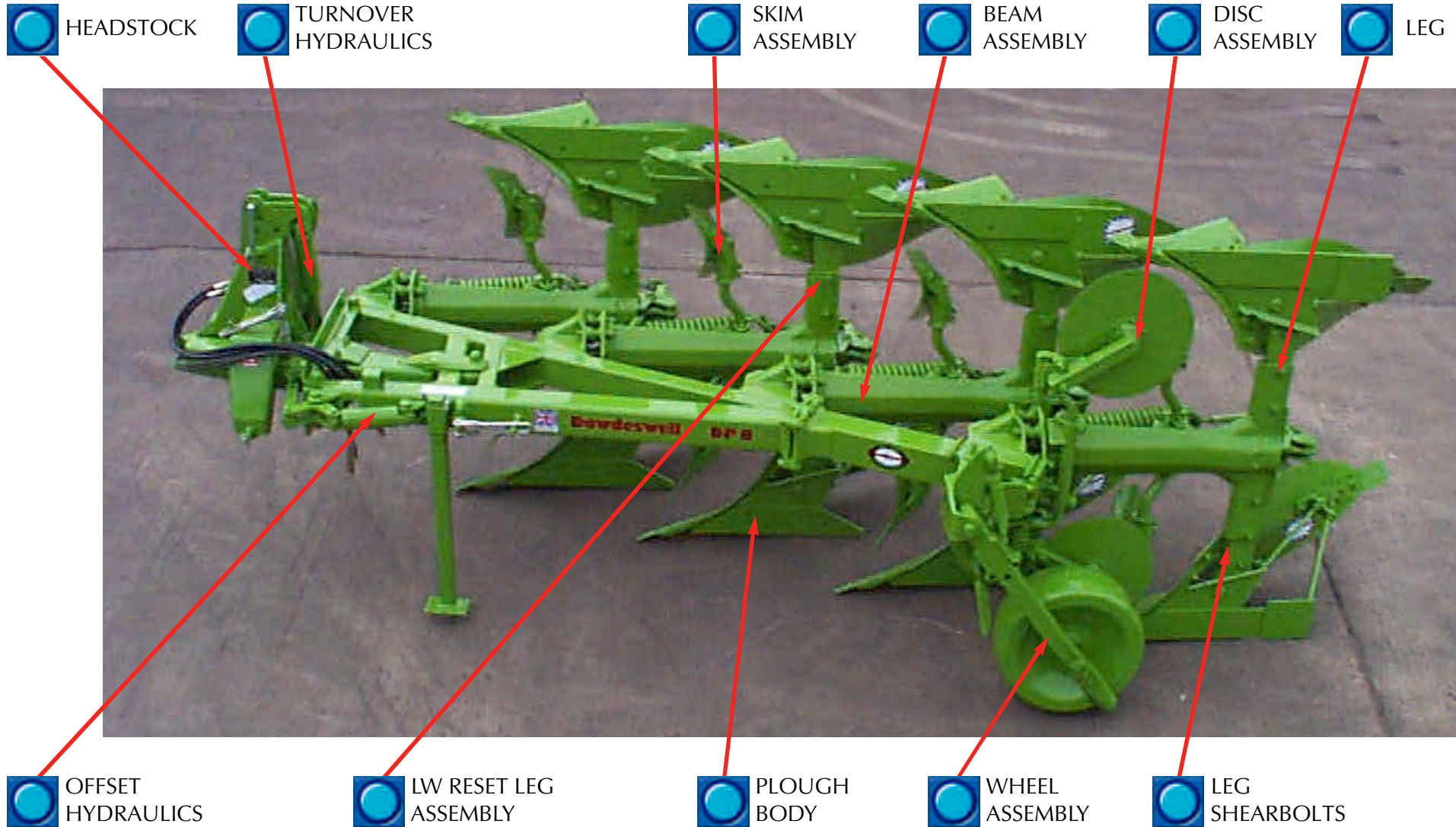


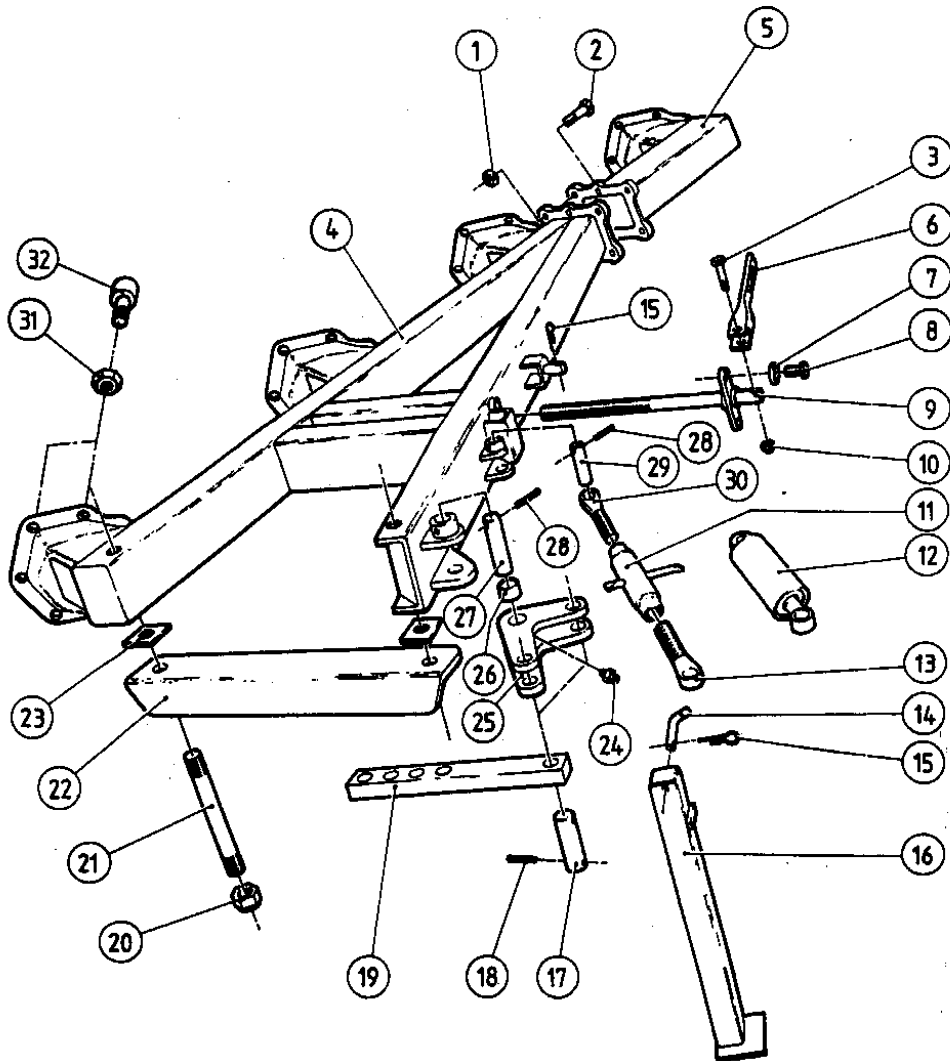
DP8 RHY SERIES – PLOUGH



PLOUGH SELECTION

Dowdeswell

DP8 RHY SERIES – BEAM ASSEMBLY



ITEM	PART NO.	DESCRIPTION	QTY.
1	900116	5/8" UNF Nyloc Nut	-
2	900043	Bolt 5/8" UNF x 2 1/2"	-
3	900027	Bolt 3/8" UNF x 2 1/2"	1
4	1084800	Main Beam 2 Furrow 12"	-
4a	1084600	Main Beam 2 Furrow 14"	-
4b	1061500	Main Beam 2 Furrow 12"	-
4c	1055100	Main Beam 3 Furrow 14"	-
5	1242000	Extension Beam 12"	-
5a	1093800	Extension Beam 14"	-
6	1156300	Adjuster Handle	1
7	900196	Spring Washer	2
8	900868	Bolt 5/8" UNC x 1 1/2"	2
9	197100	Offset Adjuster 3 Furrow	-
-	252500	Offset Adjuster 2 Furrow	-
10	900115	Self Locking Nut 3/8" UNF	1
11	196700	Turnbuckle Body	-
12	252200	Ram Assembly	-
13	196600	Adjuster Screw Left Hand	-
14	012500	Retaining Peg	1
15	900521	'R' Clip	2
16	250800	Support Leg	1
17	192100	Pin	2
18	900547	Spring Pin Ø6 x 40	4
19	197000	Link	1
20	900112	Self Locking Nut 1" UNF	4
21	900504	Stud 1" UNF x 210mm	2
22	250000	Front Support 14" 2 & 3 Furrow	-
22a	254100	Front Support 12" 2 Furrow	-
22b	250100	Front Support 12" 3 Furrow	-
23	198100	Packer	4
24	900431	Grease Nipple	1
25	196900	Lever	1
26	900346	Plain Bearing	2
27	192400	Pin	1
28	900282	Spring Pin Ø5 / 16" x 1 1/2"	2
29	192300	Pin	1
30	196500	Adjuster Screw Right Hand	1
31	900111	Self Locking Nut 3/4" UNF	6*
NS	120000	Pivot Cup - Bevelled Top/Bottom	4*
NS	120100	Pivot Cup - Short - Offside	1*
NS	134200	Pivot Cup - Long - Inside.	1*

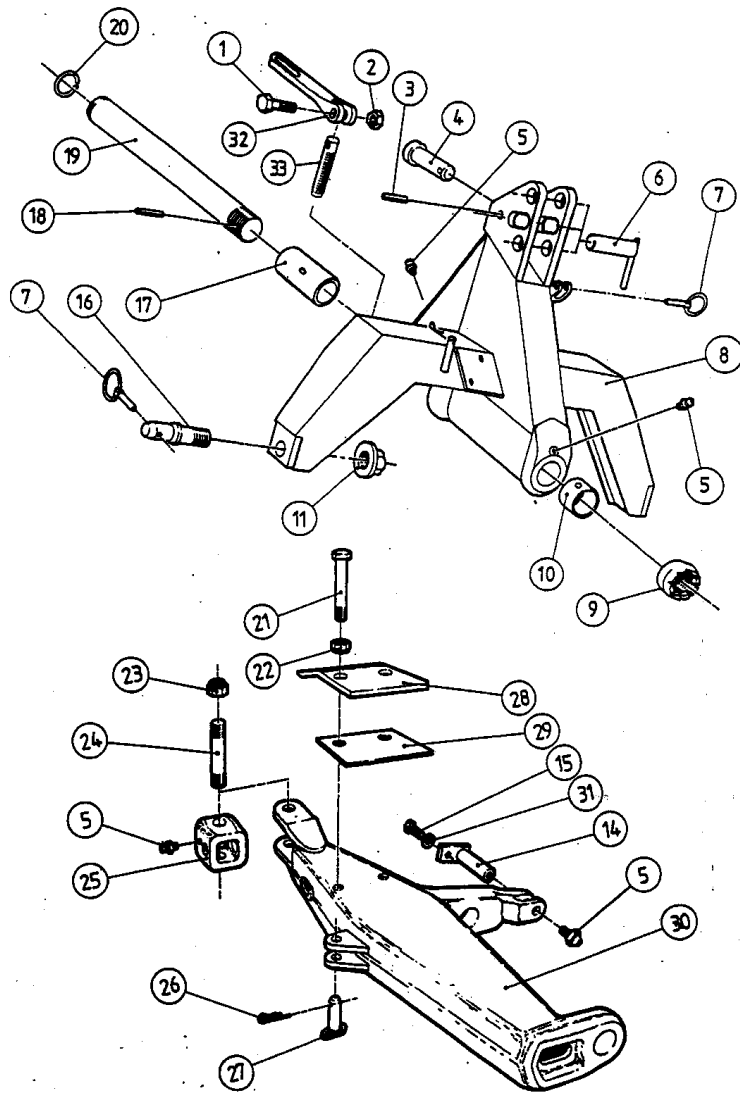
* These quantities are per furrow.



PLOUGH ASSEMBLY

Dowdeswell

DP8 RHY SERIES – HEADSTOCK



ITEM	PART NO.	DESCRIPTION	QTY.
1	900027	Bolt 3/8" UNF x 2 1/2"	2
2	900115	Self Locking Nut 3/8" UNF	2
3	900292	Spring Pin Ø5/16" x 2"	1
4	084400	Top Ram Pin	1
5	900431	Grease Nipple	4
6	145800	Top Link Pin	1
7	900527	Lynch Pin	3
8	163100	Headstock	1
9	147000	Castellated Nut	1
10	900846	Plain Bearing	1
11	900681	Nut 30mm	2
14	149900	Bottom Ram Pin	1
15	900022	Set screw 3/8" UNF x 3/4"	1
16	163200	Bottom Link Pin 155 Long	2
17	900847	Plain Bearing	1
18	900288	Spring pin Ø3/8" x 3"	1
19	146900	Turnover shaft	1
20	900603	Circlip	1
21	901098	Bolt M16 x 200	2
22	900784	Self Locking Nut M16	2
23	900112	Self locking Nut 1" UNF	2
24	900516	Stud	1
25	196400	Pivot Block	1
26	900521	'R' Clip	1
27	198200	Pin	1
28	197900	Clamp Plate	2
29	198000	Wear Plate	2
30	193700	Turnover Arm	1
31	900193	Spring Washer 3/8"	1
32*	1156300	Handle	1
33*	1027100	Stud 1" UNF	1

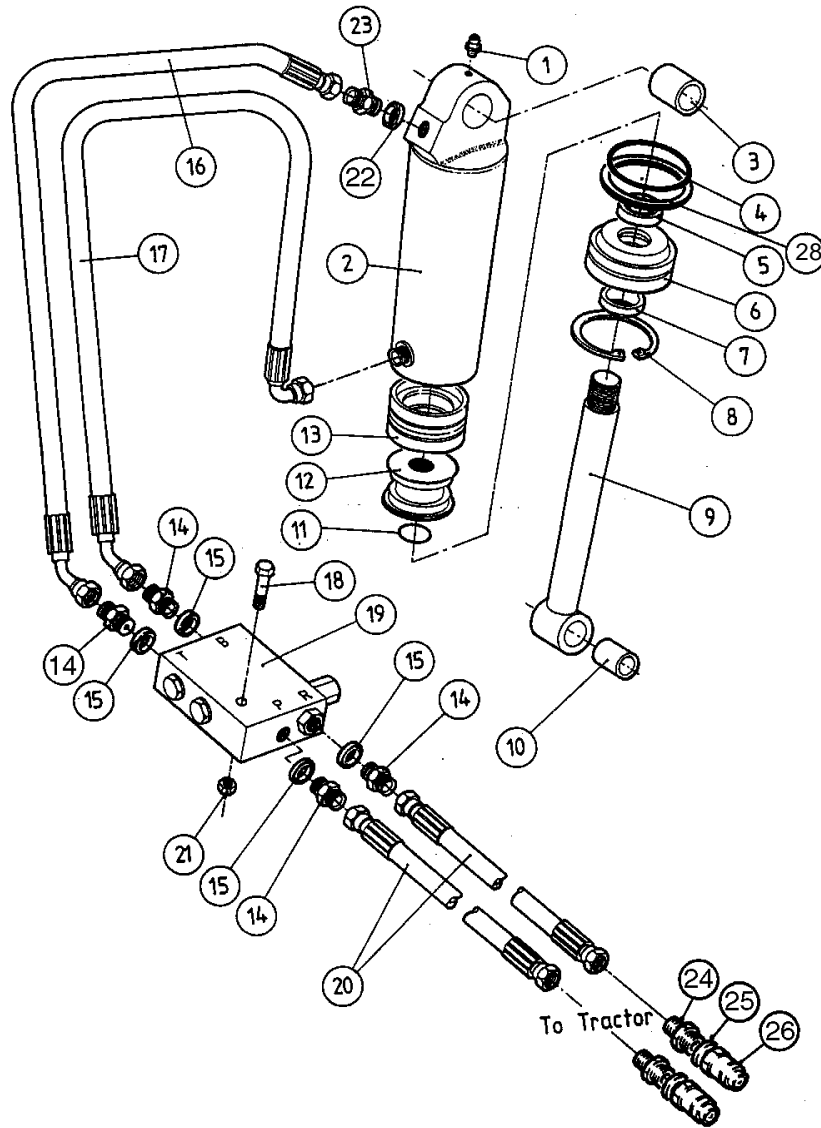
* Applies to ploughs manufactured after January 1997.



PLOUGH ASSEMBLY

Dowdeswell

DP8 RHY SERIES – TURNOVER HYDRAULICS



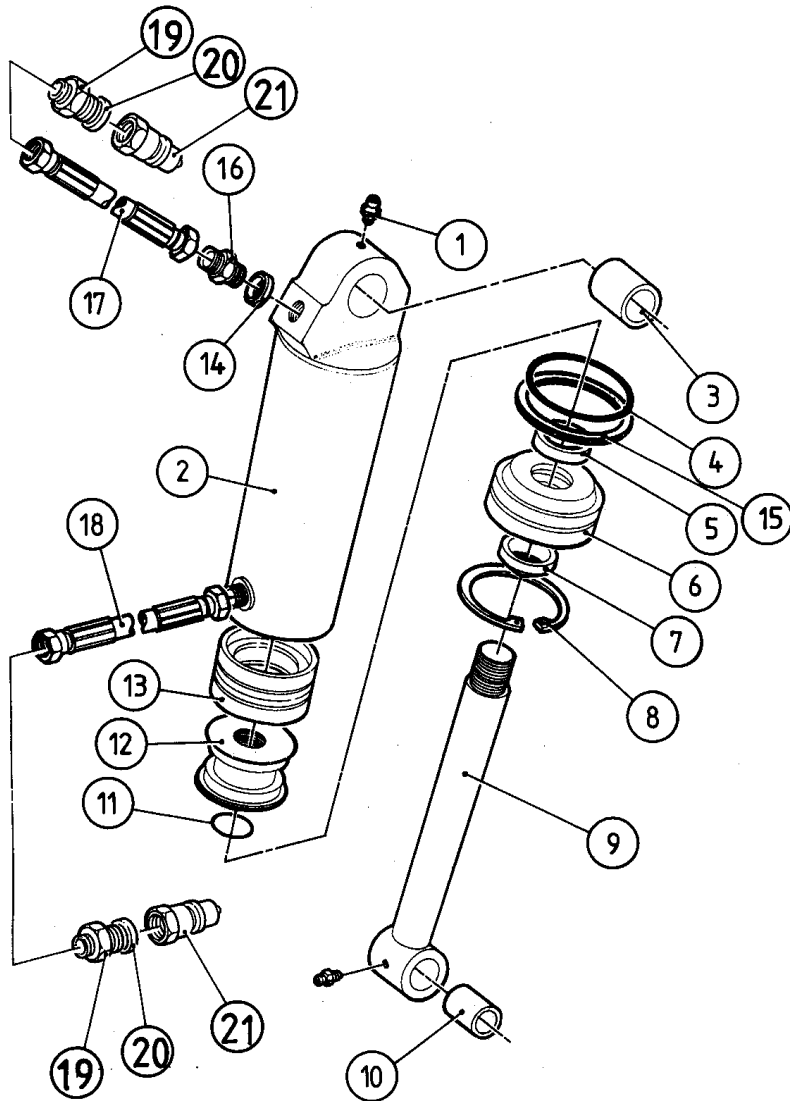
ITEM	PART NO.	DESCRIPTION	QTY.
1	900431	Grease Nipple	1
2	148100	Ram Tube	1
3	900378	Tension Bush	1
4	900210	'O'Ring	1
5	900227	Single Acting Seal	1
6	1114200	Bung	1
7	900266	Ram Wiper	1
8	900722	Circlip	1
9	1114300	Piston Rod	1
10	900377	Tension Bush	1
11	900209	'O'Ring	1
12	148300	Piston	1
13	900246	Double Acting Seal	1
14	900391	Adaptor 3/8" BSP	4
15	900301	Dowty Washer 3/8" BSP	4
16	151700	Hose Assembly (16" Hose)	1
17	151800	Hose Assembly (18" Hose)	1
18	900014	Bolt 5/16" UNF x 2"	1
19	265800	Turnover Valve	1
20	008400	Hose Assembly (42" Hose)	2
21	900782	Self Locking Nut M10	1
22	900306	Dowty Washer 1/4" BSP	1
23	900400	Adaptor 1/4" BSP/3/8"BSP	1
24	900306	Dowty Washer 1/4" BSP	1
25	900302	Dowty washer 1/2" BSP x 0.08	2
26	900611	Male Quick Coupler	2
28	900805	Back up Ring	1
-	226200	Ram Seal Set	-
-	1114100	Ram Assembly (Items 1 - 13 incl.)	-



PLOUGH ASSEMBLY

Dowdeswell

DP8 RHY SERIES – OFFSET HYDRAULICS



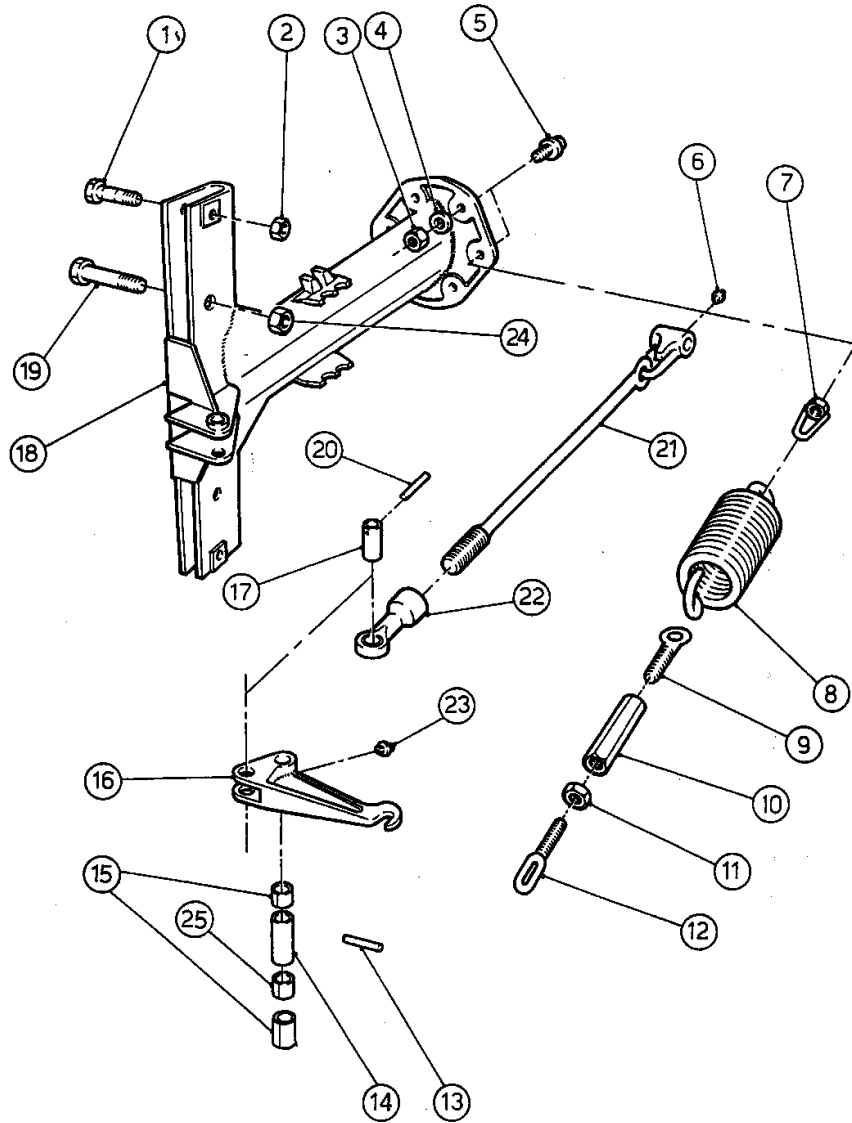
ITEM	PART NO.	DESCRIPTION	QTY.
1	900431	Grease Nipple	1
2	252300	Ram Tube	1
3	900378	Tension Bush	1
4	900210	'O' Ring	1
5	900225	Single Acting Seal	1
6	148200	Bung	1
7	900263	Ram Wiper	1
8	900722	Circlip	1
9	252400	Piston Rod	1
10	900377	Tension Bush	1
11	900209	'O' Ring	1
12	148300	Piston	1
13	900246	Double Acting Seal	1
14	900306	Dowty Washer 1/4" BSP	1
15	900805	Back Up Ring	1
16	900395	Adapter 1/4" x 1/4" BSP	1
17	191800	Hose Assembly (92" Hose)	1
18	193300	Hose Assembly (83" Hose)	1
19	900392	Adapter 1/2" x 3/8" BSP	2
20	900302	Dowty Washer 1/2" BSP	2
21	900611	Male Quick Release Coupling	2
-	151600	Seal Set	-
-	252200	Ram Assembly	-



PLOUGH ASSEMBLY

Dowdeswell

DP8 RHY SERIES – LW RESET LEG



ITEM	PART NO.	DESCRIPTION	QTY.
1	900486	Red Shearbolt	2
2	900496	Nut 5/8" UNC	2
3	900117	Nut 3/4" UNF Self Locking	5
4	178200	Spacer	5
5	120200	Reset Pivot Ball	6
6	900431	Grease Nipple 1/4" UNF Straight	1
7	1057900	Eye	1
8	900467	Extension Spring	1
9	175600	Turnbuckle Eye LH	1
10	175800	Turnbuckle	1
11	900901	Locknut 5/8" UNC	1
12	175700	Turnbuckle Eye RH	1
13	900282	Spring Pin Ø5/16" x 1 1/2"	1
14	1062900	Pin	1
15	900378	Internal Tension Bush	2
16	1057200	Cast Hook (6mm Spring Pin)	1
16a	1193400	Cast Hook (8mm Spring Pin)	-
17	1057500	Pin (6mm Spring Pin)	1
17a	1193500	Pin (8mm Spring Pin)	-
18	1057400	Reset Leg Bracket	1
19	900052	Bolt 3/4" UNF x 2 3/4"	2
20	900547	Spring Pin Ø6 x 40	1
20a	900551	Spring Pin Ø8 x 40	-
21	1226200	Tension Rod	1
22	1226100	Rod End	1
23	900434	Grease Nipple 1/4" UNF x 90°	1
24	900107	Plain Nut 3/4" UNF	2
25	1250300	Spacer	1

Note: All Quantities Are Per Furrow.

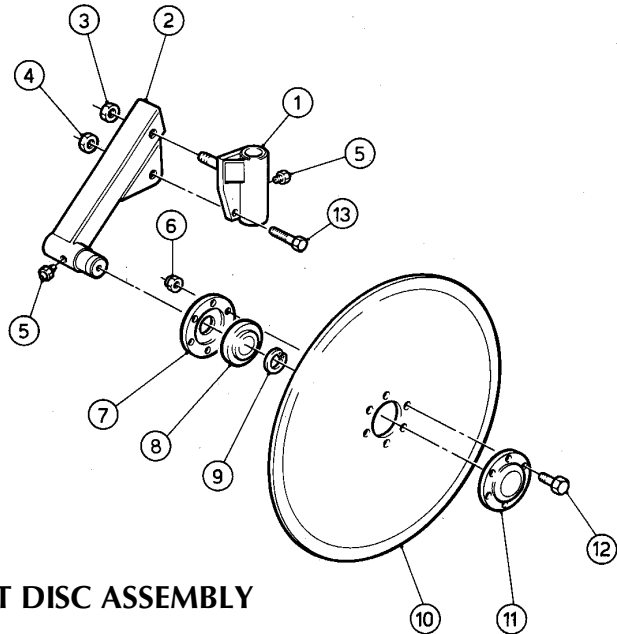
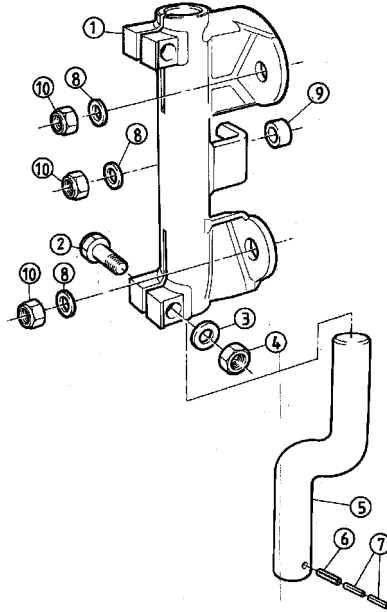


PLOUGH ASSEMBLY

Dowdeswell

DP8 RHY SERIES – DISC ASSEMBLY

RESET DISC BRACKET



RESET DISC ASSEMBLY

RESET DISC BRACKET

ITEM	PART NO.	DESCRIPTION	QTY.
1	138000	Disc Bracket	1
2	900043	Bolt 5/8" UNF x 2 1/2"	2
3	900172	Plain Washer 5/8"	2
4	900106	Nut 5/8" UNF	2
5	137900	Stalk	1
6	900542	Spring Pin 10 x 60mm	2
7	900541	Spring Pin 6 x 30mm	4
8	900178	Plain Washer 3/4" x 0.128	6
9	1093600	Spacer	3
10	900117	Self Locking Nut 3/4" UNF	3

RESET DISC ASSEMBLY

ITEM	PART NO.	DESCRIPTION	QTY.
1	305698	Disc Arm Swivel R.H.	1
-	305699	Disc Arm Swivel L.H.	1
2	052998	Disc Arm 18" R.H.	AS REQ.
-	052999	Disc Arm 18" L.H.	AS REQ.
2a	063698	Disc Arm 20" R.H.	AS REQ.
-	063699	Disc Arm 20" L.H.	AS REQ.
3	900107	Nut 3/4" UNF	1
4	900105	Nut 1/2" UNF	1
5	900431	Grease Nipple	2
6	900781	Self Locking Nut M8	6
7	055000	Bearing Housing (Inner)	1
8	900324	Ball Bearing	1
9	900601	Circlip	1
10	052800	Disc - 18" Plain	AS REQ.
10a	053000	Disc - 20" Plain	AS REQ.
10b	063800	Disc - 18" Cutaway	AS REQ.
10c	054100	Disc - 20" Cutaway	AS REQ.
11	054900	Bearing Housing (Outer)	1
12	901263	Setscrew M8 x 30	6
13	900483	Shearbolt	1



PLOUGH ASSEMBLY

Dowdeswell

DP 8, DF 100 & ALL RESET PLOUGH LEGS

Item Number 1

All Ploughs Listed Above Except DF 100 HA
UNDERBEAM CLEARANCE (Inches)

DP8, DP5 LS DF 100 MA RESET

27.25 28.50 27.00

26.25 28.00 26.50

28.00 26.50 25.50

-

DF 100 HA
UNDERBEAM CLEARANCE (Inches)

28.50

28.00

28.00

BODY TYPE

DD/DDS

DD/DDS

UCN/SCN

UCN/SCN

YCN

YCN

M-Slatt

BODY TYPE

DD/DDS

UCN/SCN

YCN

PART NO

146398

183800

146398

183800

315300

1078200

-

PART NO

1135700

1135700

1135900

I.D Dimension

496mm

532mm

496mm

532mm

531

484mm

-

I.D Dimension

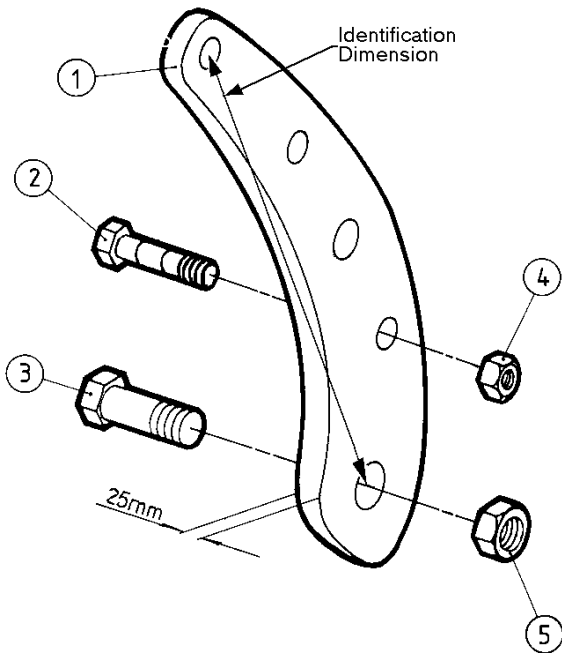
472mm

472mm

493mm

Leg Pivot and Shear Bolts. All 'A' Items Are For DF 100 HA.

ITEM	PART NO	DESCRIPTION	QTY./LEG
2	-	Leg Shear Bolt *	-
2A	-	Leg Shear Bolt *	-
3	900052	Bolt _" UNF x 2 _"	1
3A	902771	Bolt M24 x 80 (Special)	1
4	900496	Nut 5/8" UNC	1
4A	900774	Plain Nut M16	1
5	900109	Nut 1" UNF	1
5A	902332	Plain Nut M24 (Special)	1



PLOUGH ASSEMBLY

Dowdeswell

SHEARBOLTS

