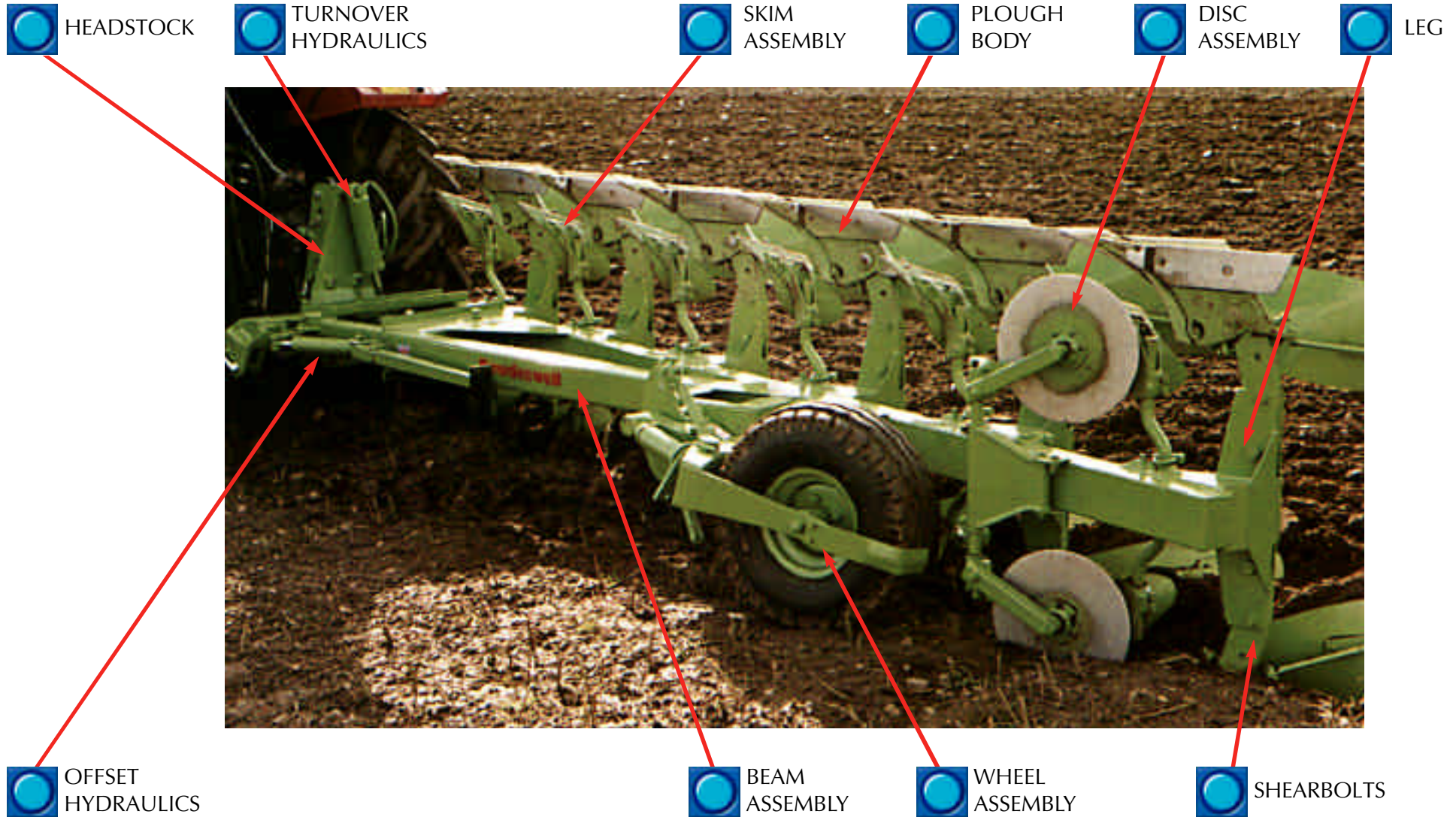


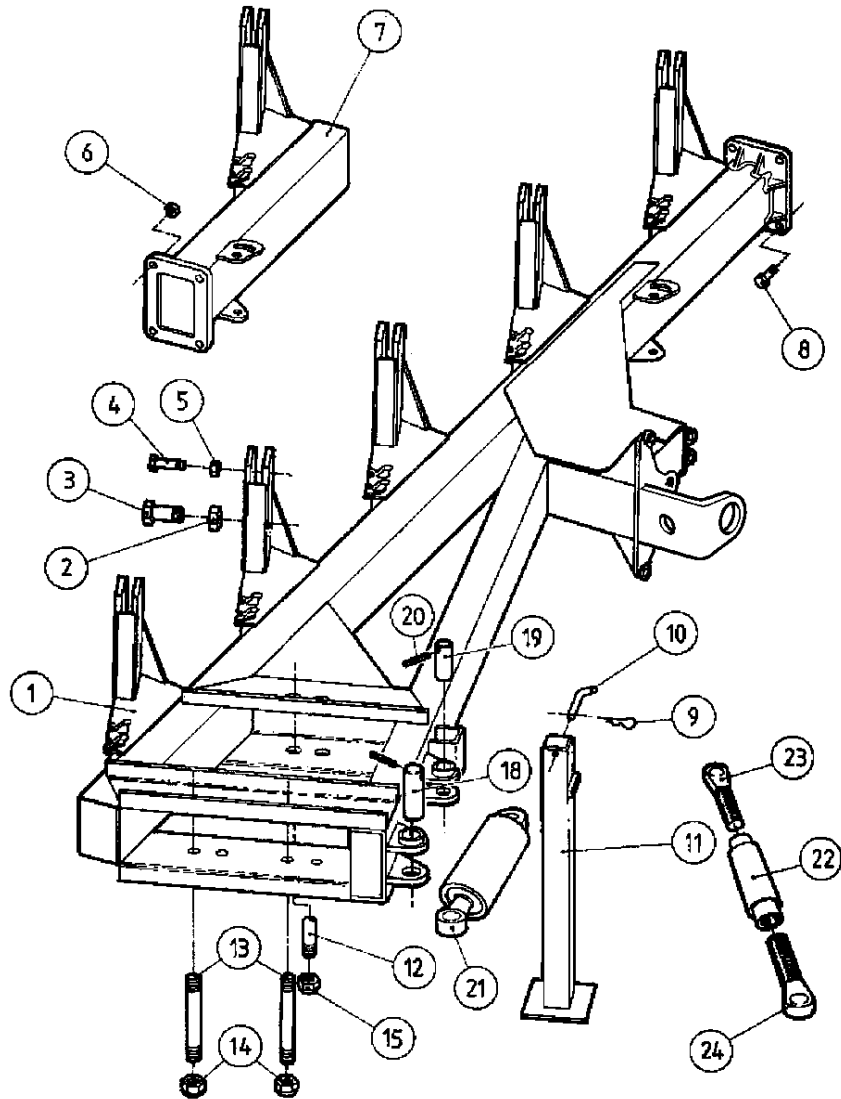
DP7D2, 3, E, F, G. SERIES – PLOUGHS



PLOUGH SELECTION

Dowdeswell

DP7D2, 3, E, F, G. SERIES – BEAM ASSEMBLY



ITEM	PART NO.	DESCRIPTION	QTY.
1	-	Main Beam*	1
2	900109	Nut 1" UNF	2
3	900063	Bolt 1" UNF x 3 1/4"	2
4	900481	Shearbolt	2
5	900496	Nut 5/8" UNC	2
6	900785	Self Locking Nut M20	-
-	900111	Self Locking Nut 3/4" UNF**	-
7	-	Extension Beam*	-
8	902255	Bolt M20 x 75	-
-	900055	Bolt 3/4" UNF x 3"***	-
9	900521	'R' Clip	1
10	012500	Retaining Peg	1
11	250800	Support Leg	-
11a	091100	Support Leg High Clearance	-
11b	1014800	Support Leg 30"	-
12	900513	Stud M30 x 265	1
13	900505	Stud 1" UNF x 9 3/8"	2
14	900112	Self Locking Nut 1" UNF	4
15	900681	Nut M30	2
18	192400	Pin	1
19	192300	Pin	1
20	900282	Spring Pin Ø5/16" x 1 1/2"	2
21	148000	Ram Assembly	-
22	192700	Turnbuckle	-
23	192600	Adjuster Screw R.H.	-
24	192500	Adjuster Screw L.H.	-
-	193100	Turnbuckle Assembly	-

* Plough Serial Number Required.

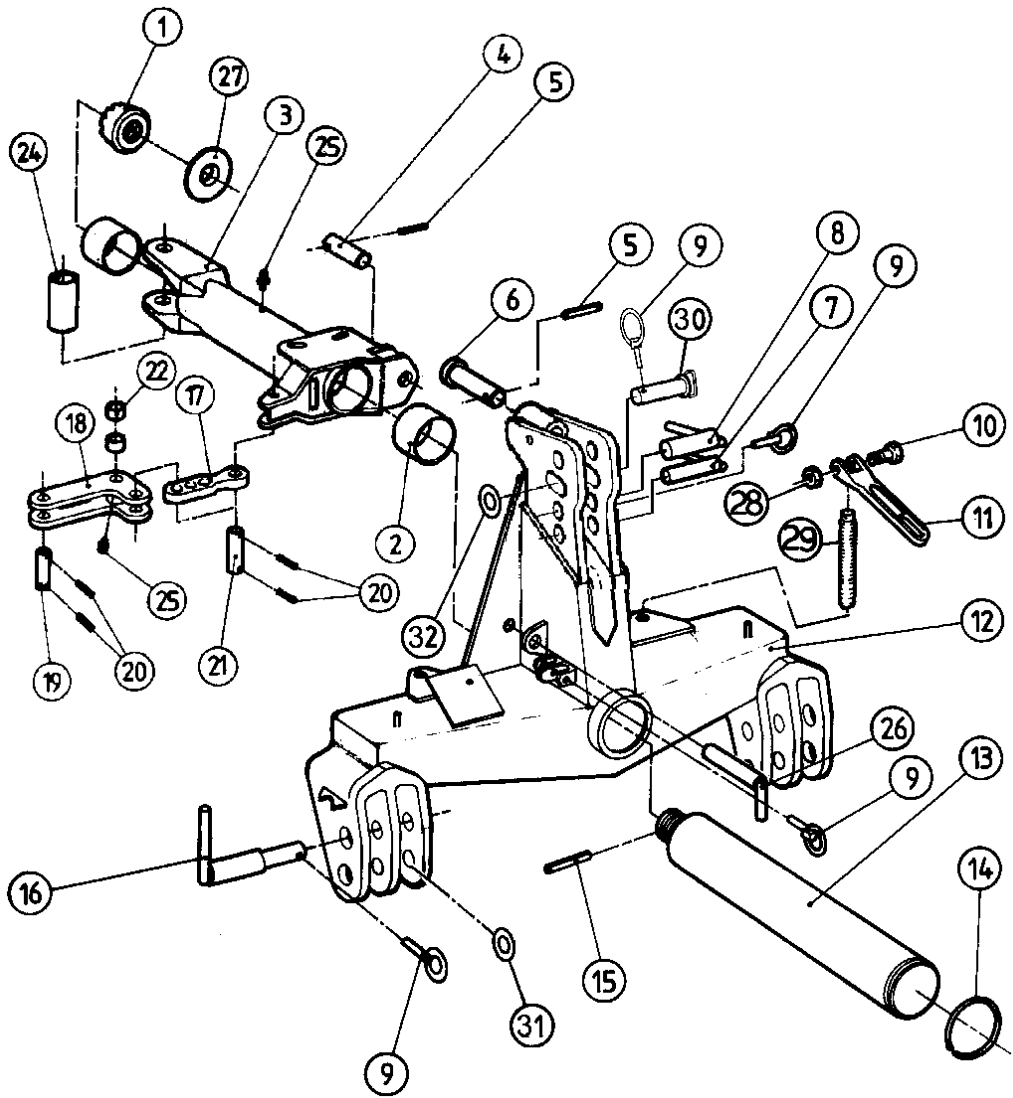
** Pre February 1997



PLOUGH ASSEMBLY

Dowdeswell

DP7D2, 3, E, F, G. SERIES – HEADSTOCK



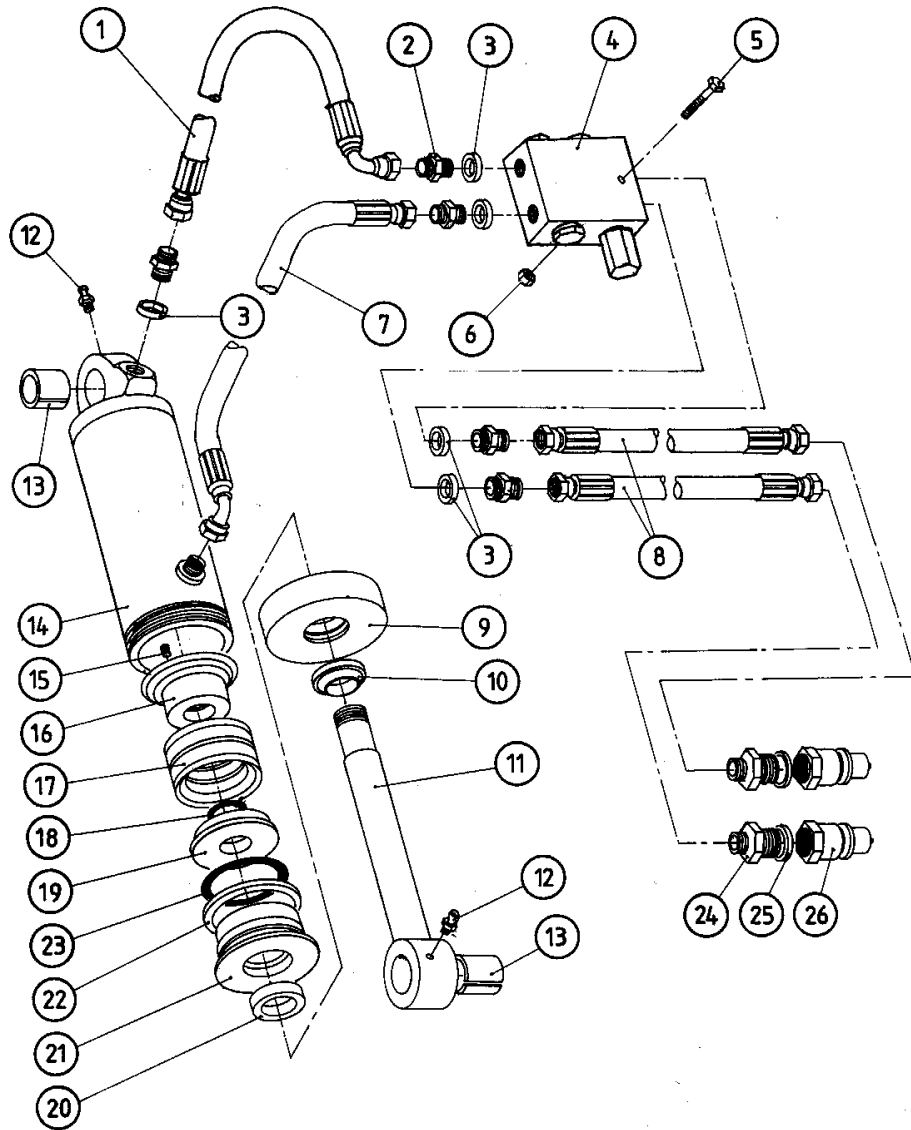
ITEM	PART NO.	DESCRIPTION	QTY.
1	147000	Castellated Nut	1
2	900353	Plain Bearing	2
3	192800	Turnover Arm	1
4	162000	Bottom Ram Pin	1
5	900542	Spring Pin Ø10 x 60	2
6	161900	Top Ram Pin	1
7	1362100	Top Link Pin For Slot Cat 3	1
8	145400	Top Link Pin Cat 3	1
9	900527	Linch Pin	6
10	900027	Bolt 3/8" UNF x 2 1/2"	2
11	1156300	Handle	2
12	161300	Headstock	1
13	163700	Pivot Shaft	1
14	900604	Circlip	1
15	900288	Spring Pin 3/8" x 3"	1
16	149400	Bottom Link Pin Cat 2/2/3	2
-	1275900	Bottom Link Pin Cat 2/3/3	2
17	1017400	Link	1
18	191900	Lever	1
19	192100	Pin	1
20	900541	Spring Pin Ø6 x 30	6
21	192200	Pin	2
22	900346	Plain Metal Bearing	2
-			
24	164500	Spacer Tube	1
25	900431	Grease Nipple	1
26	161600	Transport Pin	2
27	164600	Washer	1
28	900115	Self Locking Nut 3/8" UNF	2
29	1027100	Stud M30 Fine	-
-	1320500	Stud 1 1/4" UNC (Feb 97 -)	-
30	1362100	Top Link Pin For Slot Cat 3	1
31	1275100	Spacer	2
32	900185	Plain Washer 1 1/4"	1



PLOUGH ASSEMBLY

Dowdeswell

DP7D2, 3, E, F, G. SERIES – TURNOVER HYDRAULICS



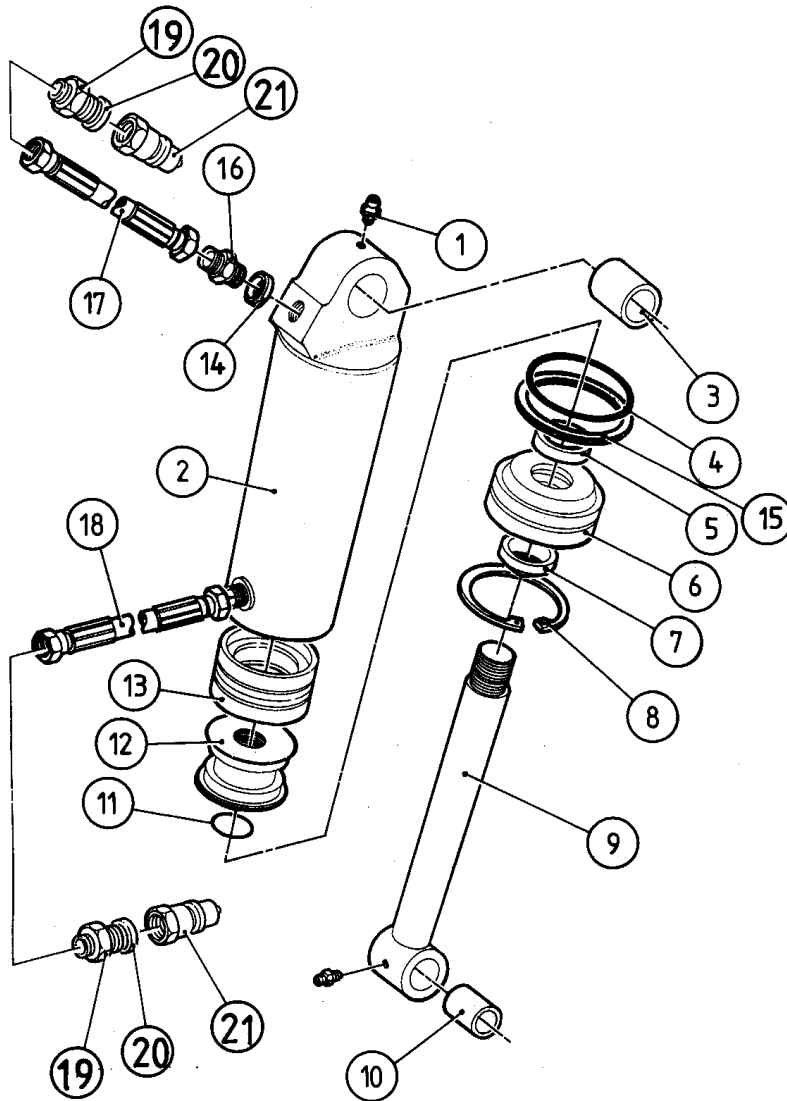
ITEM	PART NO.	DESCRIPTION	QTY.
1	1092500	Hose Assembly (23")	1
2	900391	Adapter 3/8" BSP	4
3	900301	Dowty Washer 3/8" BSP x 0.08	5
4	265800	Turnover Valve V581	1
5	901043	Bolt M10 x 70	1
6	900782	Self Locking Nut M10	1
7	043000	Hose Assembly (23")	1
8	008400	Hose Assembly (56")	2
9	006600	End Cap	1
10	900261	Wiper Seal	1
11	018700	Piston Rod	1
12	900431	Grease Nipple	2
13	900373	Internal Tension Bush	2
14	161800	Ram Tube	1
15	900151	Grub Screw	1
16	006300	Piston	1
17	900241	Double Acting Seal	1
18	900201	'O' Ring	1
19	006400	Piston Annulus	1
20	900221	Single Acting Seal	1
21	006500	End Plug	1
22	900801	Back-up Ring	1
23	900203	'O' Ring	1
24	900392	Adapter 1/2" x 3/8" BSP	2
25	900302	Dowty washer 1/2" BSP x 0.08	2
26	900611	Male Quick Coupler	2
-	161700	Ram Assembly (Items 9-23 incl.)	-
-	052500	Ram Seal Set	-
-	1021500	Valve Repair Kit	-
-	1250400	Valve Repair Kit	-



PLOUGH ASSEMBLY

Dowdeswell

DP7D2, 3, E, F, G. SERIES – OFFSET HYDRAULICS



ITEM	PART NO.	DESCRIPTION	QTY.
1	900431	Grease Nipple	1
2	148100	Ram Tube	1
3	900378	Tension Bush	1
4	900210	'O' Ring	1
5	900225	Single Acting Seal	1
6	148200	Bung	1
7	900263	Ram Wiper	1
8	900722	Circlip	1
9	148400	Piston Rod	1
10	900377	Tension Bush	1
11	900209	'O' Ring	1
12	148300	Piston	1
13	900246	Double Acting Seal	1
14	900306	Dowty Washer 1/4" BSP	1
15	900805	Back Up Ring	1
16	900395	Adapter 1/4" x 3/8" BSP	1
17	274400	Hose Assembly (92" Hose)	1
18	193300	Hose Assembly (83" Hose)	1
19	900392	Adapter 1/2" x 3/8" BSP	2
20	900302	Dowty Washer 1/2" BSP	2
21	900611	Male Quick Release Coupling	2
-	151600	Seal Set	-
-	148000	Ram Assembly	-

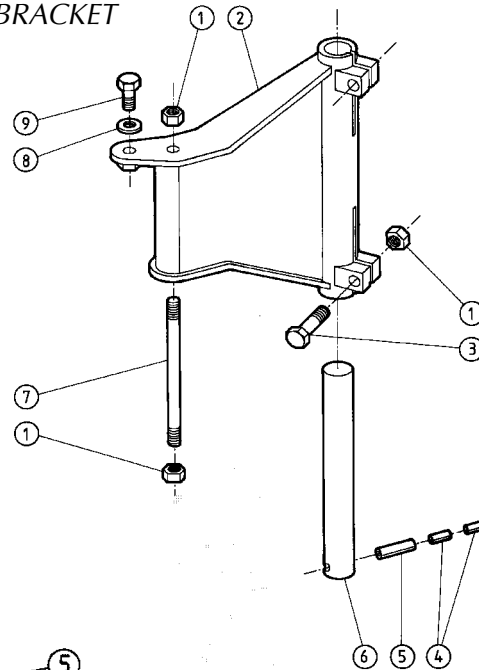


PLOUGH ASSEMBLY

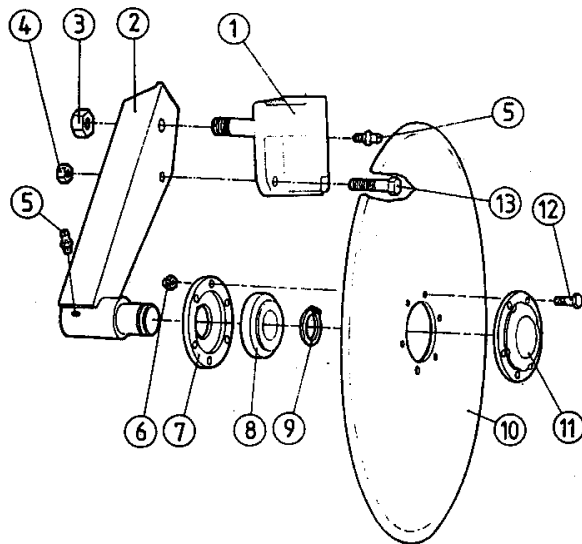
Dowdeswell

DP7D2, 3, E, F, G. SERIES – DISC ASSEMBLY

DISC BRACKET



DISC ASSEMBLY



DISC BRACKET

ITEM	PART NO.	DESCRIPTION	QTY.
1	900106	Nut 5/8" UNF	4
2	004800	Disc Bracket	1
3	900043	Bolt 5/8" UNF x 2 1/2"	2
4	900541	Spring Pin Ø6 x 30	4
5	900542	Spring Pin Ø10 x 60	2
6	013500	Stalk (292mm Overall)	2
-	090800	Stalk (342mm Overall)	-
-	188600	Stalk (394mm Overall)	-
7	900501	Stud 5/8" UNF x 7 5/8"	1
8	900172	Plain Washer 5/8"	1
9	900048	Bolt 5/8" UNF x 1 1/4"	1

DISC ASSEMBLY

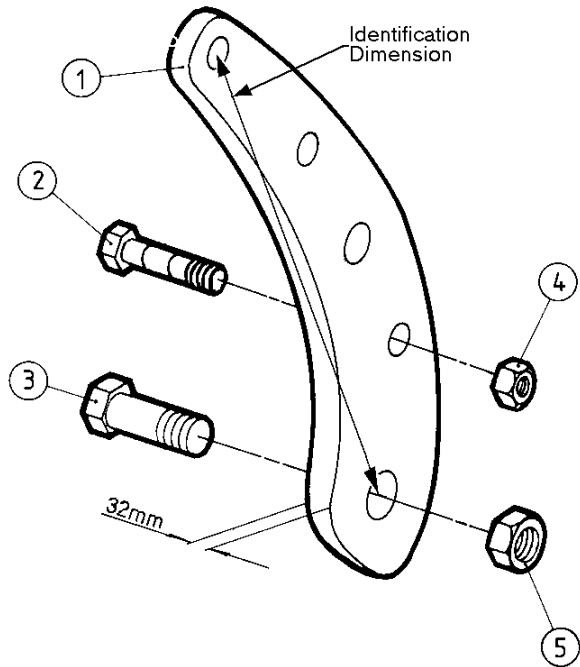
ITEM	PART NO.	DESCRIPTION	QTY.
1	013498	Disc Arm Swivel R.H.	1
-	013499	Disc Arm Swivel L.H.	1
2	052998	Disc Arm 18" R.H.	AS REQ.
-	052999	Disc Arm 18" L.H.	AS REQ.
2a	063698	Disc Arm 20" R.H.	AS REQ.
-	063699	Disc Arm 20" L.H.	AS REQ.
3	900107	Nut 3/4" UNF	1
4	900105	Nut 1/2" UNF	1
5	900431	Grease Nipple	2
6	900781	Self Locking Nut M8	6
7	055000	Bearing Housing (Inner)	1
8	900324	Ball Bearing	1
9	900601	Circlip	1
10	052800	Disc - 18" Plain	AS REQ.
10a	053000	Disc - 20" Plain	AS REQ.
10b	063800	Disc - 18" Cutaway	AS REQ.
10c	054100	Disc - 20" Cutaway	AS REQ.
11	054900	Bearing Housing (Outer)	1
12	901263	Setscrew M8 x 30	6
13	900483	Shearbolt	1



PLOUGH ASSEMBLY

Dowdeswell

DP7D2, 3, E, F, G. SERIES SERIES – LEG



UNDERBEAM CLEARANCE (Inches)

26.50
28.00
29.50

BODY TYPE

DD/DDS
DD/DDS
DD/DDS

PART NO

011198
061498
135800

I.D Dimension

528.0mm
564.5mm
596.7mm

25.50
27.00
28.50
30.00

UCN/SCN
UCN/SCN
UCN/SCN
UCN/SCN

011198
061498
135800
177000

528.0mm
564.5mm
596.7mm
636.0mm

27.00
29.50

YCN
YCN

315500
1017300

566.0mm
599.5mm

26.50

M-Slatt

1348400

457.7mm

Leg Pivot and Shear Bolts

ITEM

PART NO

DESCRIPTION

QTY./LEG

2
3
4
5

-
900063
900496
900109

Leg Shear Bolt
Bolt 1" UNF x 3 1/4"
Nut 5/8" UNC
Nut 1" UNF

-
1
1
1



PLOUGH ASSEMBLY

Dowdeswell

SHEARBOLTS

