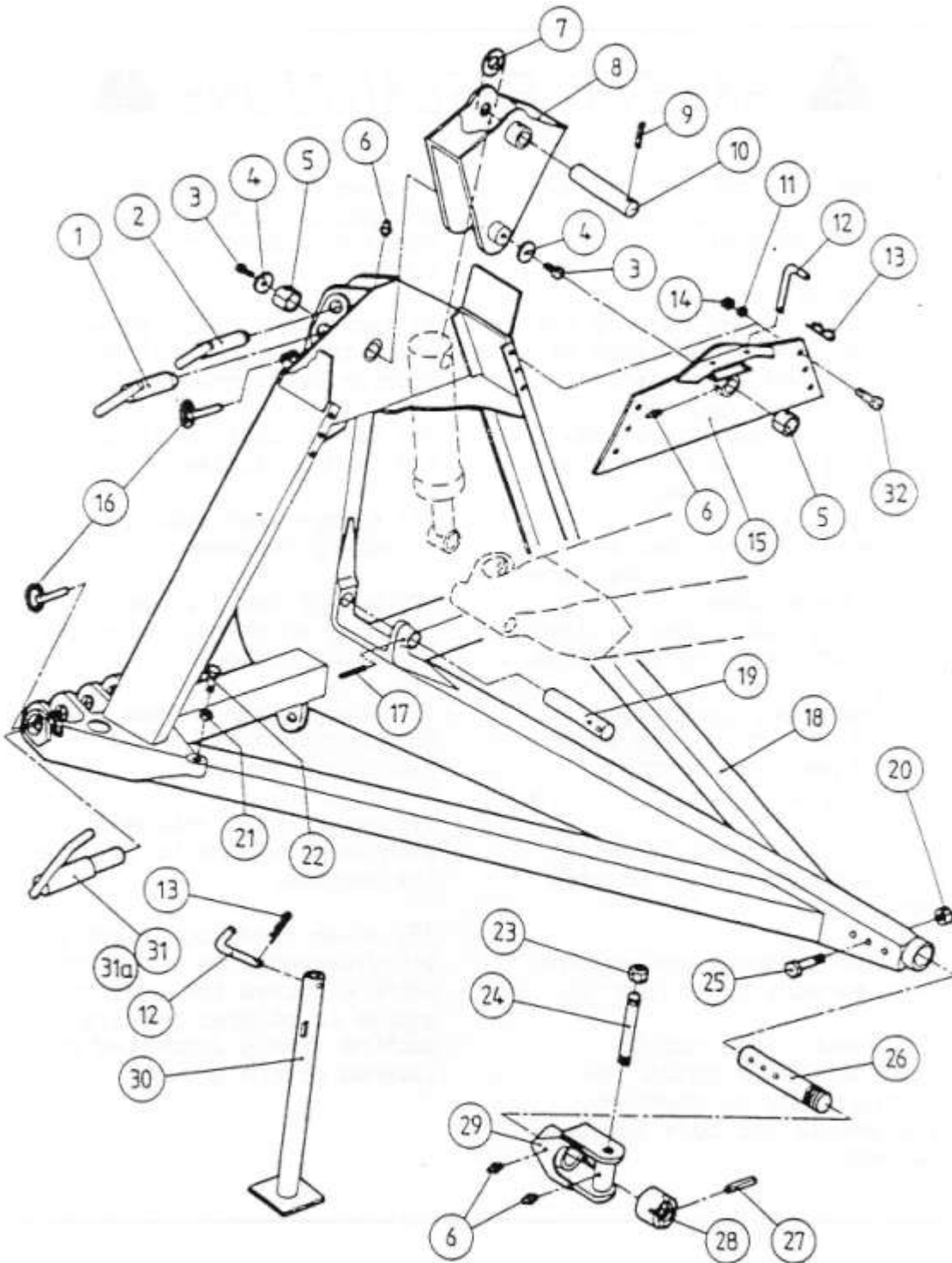


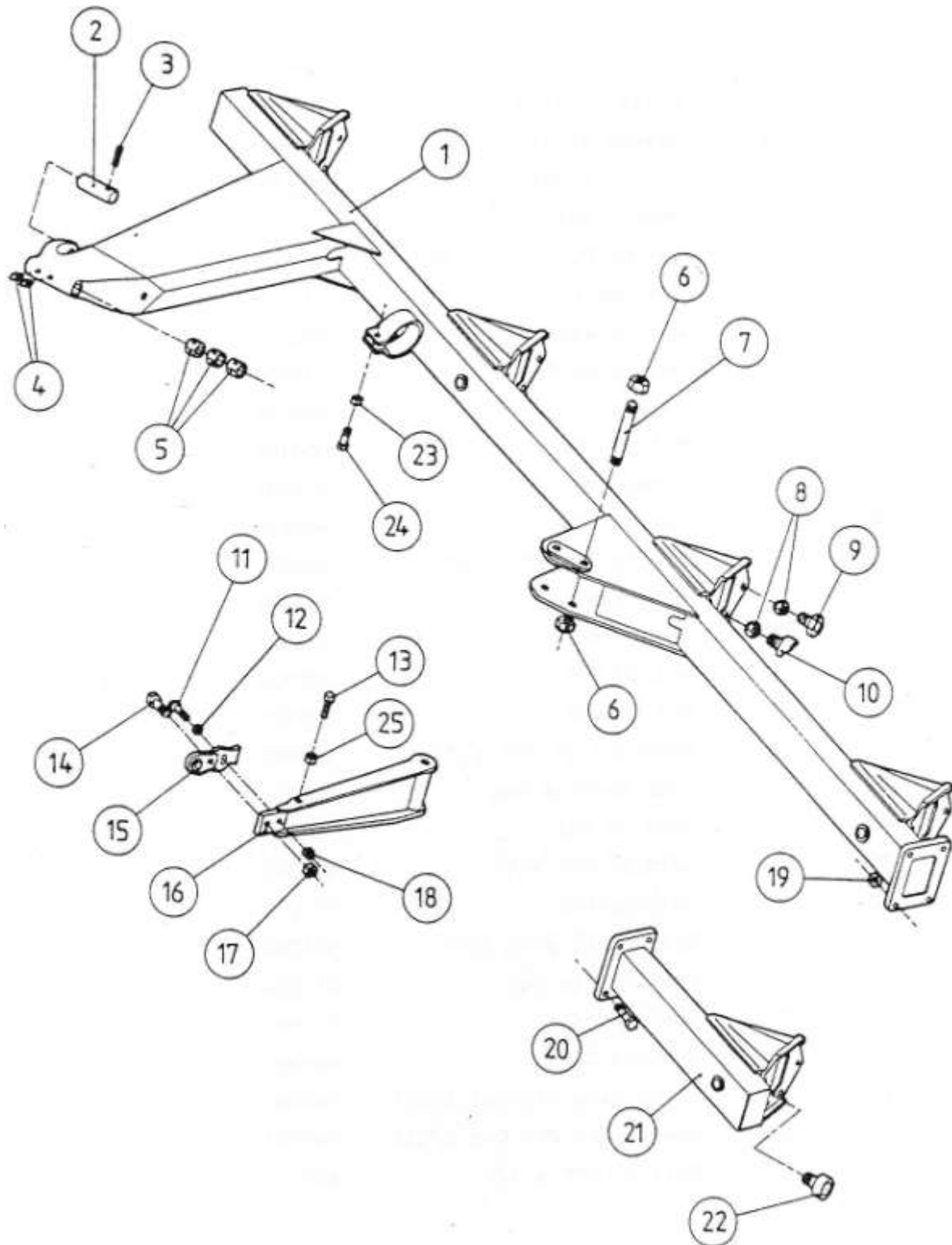
DP1 RESET 'A' FRAME



DP1 RESET 'A' FRAME

| <u>ITEM</u> | <u>QTY</u> | <u>DESCRIPTION</u> | <u>PART NO</u> |
|-------------|------------|---------------------------|----------------|
| 1 | 1 | Top Link Pin Cat. 2 | 145300 |
| 2 | 1 | Top Link Pin Cat. 3 | 145400 |
| 3 | 2 | Bolt 1/2" UNF x 3/4" | 900031 |
| 4 | 2 | Washer | 900171 |
| 5 | 2 | Plain Bearing | 900347 |
| 6 | 4 | Grease Nipple | 900431 |
| 7 | 2 | Thruat Washer | 012700 |
| 8 | 1 | Rocker Box | 012300 |
| 9 | 1 | Spring Pin 5/16" x 1 1/2" | 900282 |
| 10 | 1 | Tope Ram Pin | 012400 |
| 11 | 6 | Spring Washer | 900195 |
| 12 | 4 | Retaining Peg | 012500 |
| 13 | 4 | 'R' Clip | 900521 |
| 14 | 6 | Nut 1/2" UNF | 900105 |
| 15 | 1 | Backplate | 053900 |
| 16 | 4 | Linch Pin | 900526 |
| 17 | 1 | Spring Pin 3/8" x 2 1/4" | 900287 |
| 18 | 1 | 'A' Frame | 031300 |
| 19 | 1 | Pivot Pin | 032100 |
| 20 | 3 | Nut 5/8" UNF | 900106 |
| 21 | 2 | Nut 3/4" UNF | 900107 |
| 22 | 2 | Setscrew 3/4" UNF x 3" | 900083 |
| 23 | 2 | Self Locking Nut | 900112 |
| 24 | 1 | Stud 1" UNF | 900506 |
| 25 | 3 | Bolt 5/8" UNF x 4" | 900045 |
| 26 | 1 | Pulling Pin | 011700 |
| 27 | 1 | Spring Pin 3/8" x 3" | 900288 |
| 28 | 1 | Pulling Pin Nut | 011600 |
| 29 | 1 | Spade Handle | 011500 |
| 30 | 2 | Support Leg | 060900 |
| 31 | 2 | Lower Link Pin Cat 2/2/3 | 149800 |
| 31a | 2 | Lower Link Pin Cat 2/3/3 | 145500 |
| 32 | 6 | Bolt 1/2" UNF x 1 3/4" | 900034 |

DP1 RESET MAIN BEAM



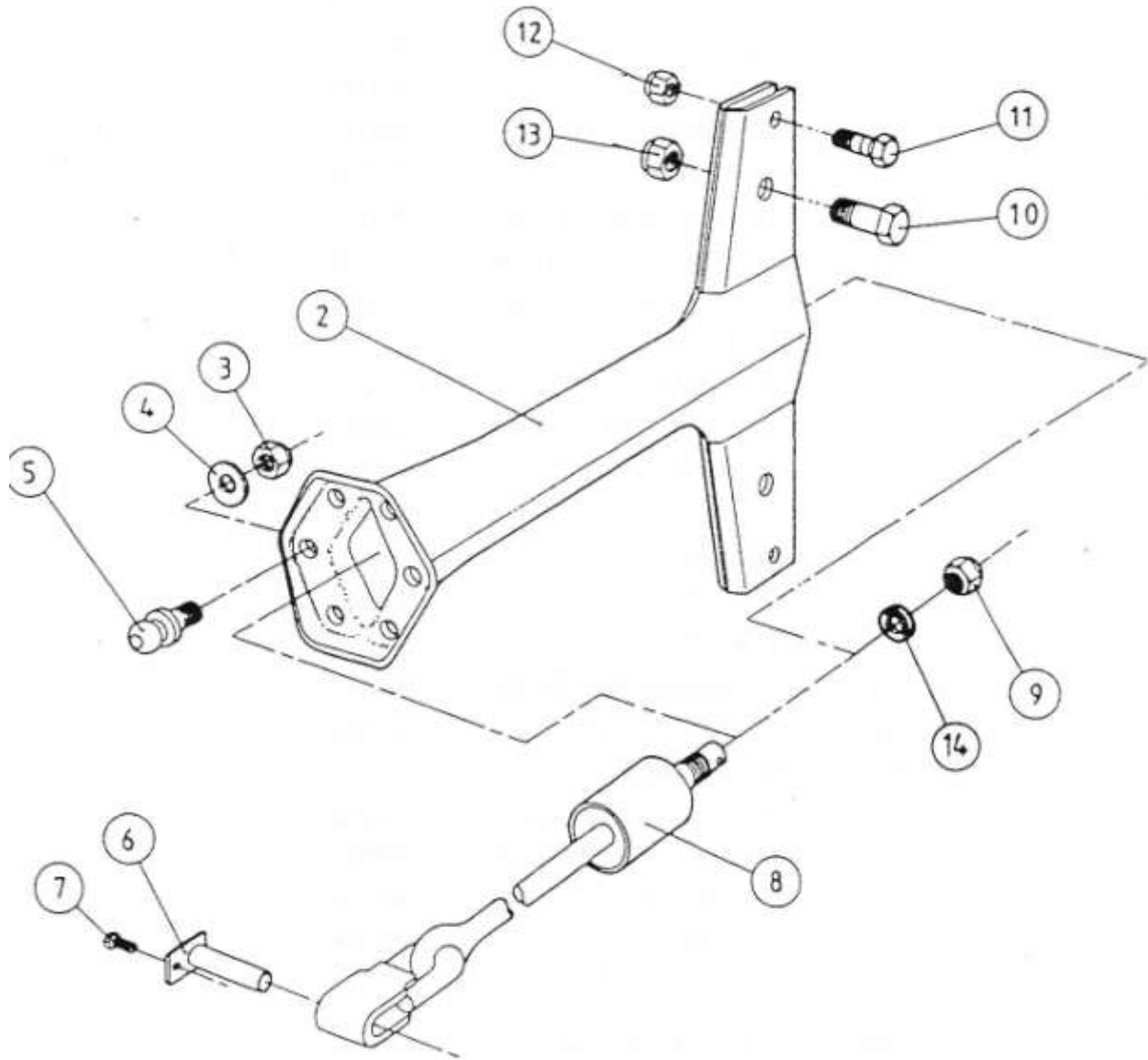
DP1 RESET MAIN BEAM

| <u>ITEM</u> | <u>QTY</u> | <u>DESCRIPTION</u> | <u>PART NO</u> |
|-------------|------------|-----------------------------------|----------------|
| 1 | 1 | Main Beam | - |
| 2 | 1 | Bottom Ram Pin | 032200 |
| 3 | 1 | Spring Pin 3/8" x 2 1/4" | 900287 |
| 4 | 2 | Grease Nipple | 900431 |
| 5 | 3 | Bush | 900373 |
| 6 | 2 | Self Locking Nut | 900112 |
| 7 | 1 | Stud 1" UNF | 900506 |
| 8 | 5* | Self Locking Nut 3/8" UNF | 900111 |
| 9 | 1* | Pivot Cup - Short - Offside | 120100 |
| 10 | 4* | Pivot Cup - Bevelled - Top/Bottom | 120000 |
| 11 | 1 | Bolt 5/8" x 2 1/2" | 900043 |
| 12 | 1 | Plain Washer 5/8" | 900172 |
| 13 | 2 | Setscrew 1/2" UNF x 3" | 900081 |
| 14 | 1 | Bolt 3/4" UNF x 2 1/2" | 900053 |
| 15 | 1 | Ball Joint | 030400 |
| 16 | 1 | Wheel Arm | 086400 |
| 17 | 1 | Nut 3/4" UNF | 900107 |
| 18 | 1 | Nut 5/8" UNF | 900106 |
| 19 | As req. | Self Locking Nut 3/4" UNF | 900111 |
| 20 | As req. | Bolt 3/4" UNF x 3" | 900055 |
| 21 | As req. | Extension Beam | - |
| 22 | 1* | Pivot Cup - Long - Inside | 134200 |
| 23 | 1+ | Setscrew 5/16" UNF | 900085 |
| 24 | 1+ | Nut 5/16" UNF | 900102 |
| 25 | 2 | Nut 1/2" UNF | 900105 |

* These quantities are per furrow

+ These quantities are per accumulator bottle

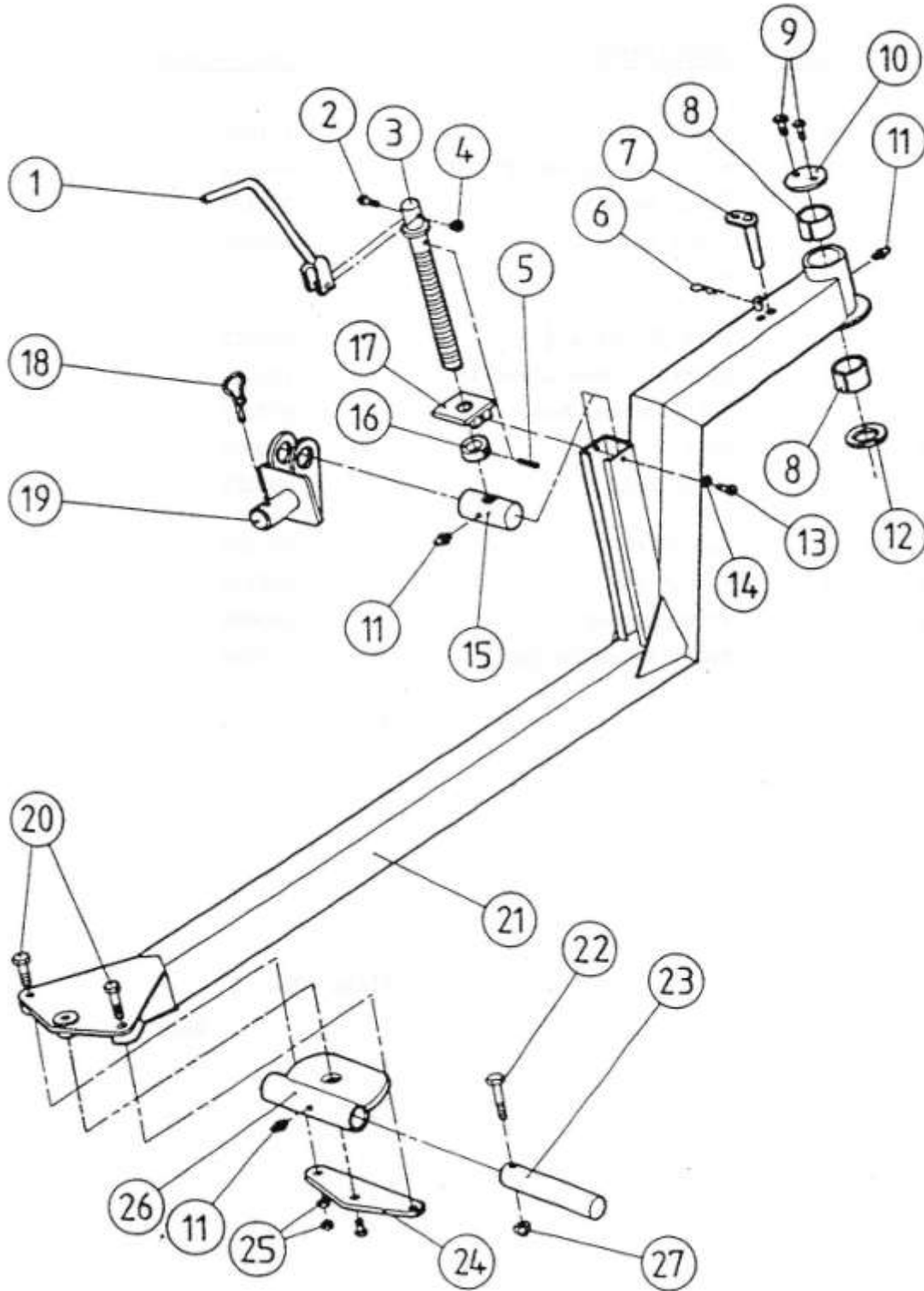
DP1 RESET LEG BRACKET ASSEMBLY



DP1 RESET LEG BRACKET ASSEMBLY

| <u>ITEM</u> | <u>QTY</u> | <u>DESCRIPTION</u> | <u>PART NO</u> |
|-------------|------------|---------------------------|----------------|
| 2 | 1 | Leg Bracket | 131000 |
| 3 | 6 | Self Locking Nut 3/4" UNF | 900111 |
| 4 | 6 | Plain Washer | 900178 |
| 5 | 6 | Pivot Ball | 120200 |
| 6 | 1 | Pin | 131500 |
| 7 | 1 | Bolt 3/8" UNF x 3/4" | 900022 |
| 8 | 1 | Hydraulic Ram Assembly | 130500 |
| 9 | 1 | Self Locking Nut | 900112 |
| 10 | 2 | Bolt 1" x 3 1/4" | 900063 |
| 11 | 2 | Shear Bolt | 900481 |
| 12 | 2 | Nut 5/8" UNC | 900496 |
| 13 | 2 | Nut 1" UNF | 900109 |
| 14 | 1 | Pivot Washer | 260900 |
| - | 1 | Reset Assembly Bar | 138100 |

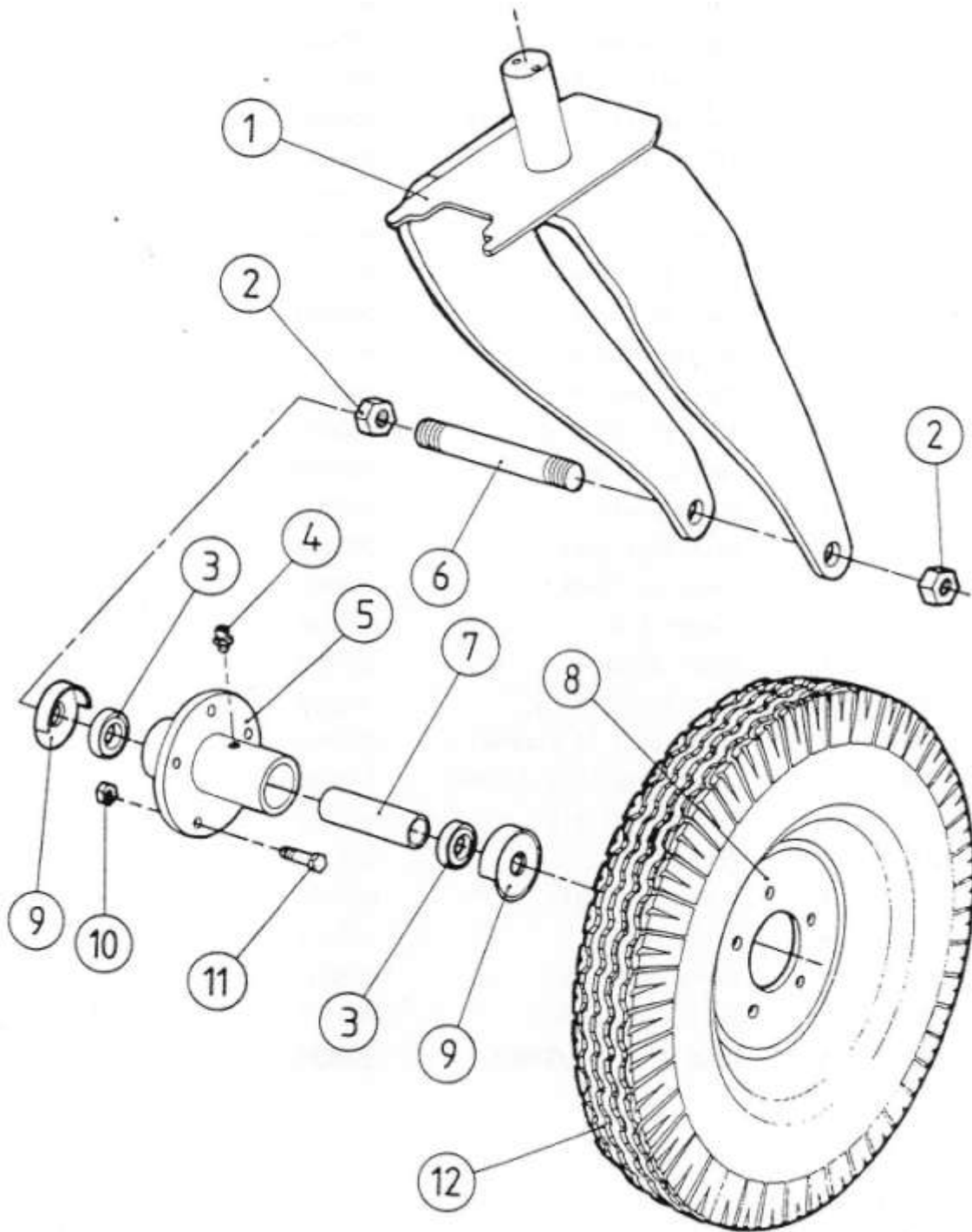
DP1 RESET WHEEL BEAM



DP1 RESET WHEEL BEAM

| <u>ITEM</u> | <u>QTY</u> | <u>DESCRIPTION</u> | <u>PART NO</u> |
|-------------|------------|----------------------------|----------------|
| 1 | 1 | Handle | 003100 |
| 2 | 1 | Bolt 5/16" UNF x 2" | 900014 |
| 3 | 1 | Depth Screw | 080000 |
| 4 | 1 | Nut 5/16" | 900102 |
| 5 | 1 | Spring Clip 5/16" x 1 1/2" | 900282 |
| 6 | 1 | 'R' Clip | 900521 |
| 7 | 1 | Slew Pin | 008500 |
| 8 | 2 | Bush | 900345 |
| 9 | 2 | Bolt 1/2" UNF x 3/4" | 900031 |
| 10 | 1 | Yoke Retainer | 008600 |
| 11 | 3 | Grease Nipple | 900431 |
| 12 | 1 | Thrust Washer | 900361 |
| 13 | 2 | Bolt 3/8" UNF x 3/4" | 900022 |
| 14 | 2 | Spring Washer | 900193 |
| 15 | 1 | Slide Shaft | 002800 |
| 16 | 1 | Retaining Boss | 002200 |
| 17 | 1 | Location Plate | 002900 |
| 18 | 1 | Linch Pin | 900526 |
| 19 | 1 | Slide Bracket | 002500 |
| 20 | 2 | Bolt 1/2" UNF x 2 1/2 | 900038 |
| 21a | 1 | Wheel Beam (4 Furrow) | 002400 |
| 21b | 1 | Wheel Beam (5/6 Furrow) | 113400 |
| 22 | 1 | Bolt 3/8" UNF x 2" | 900026 |
| 23 | 1 | Pivot Pin | 009300 |
| 24 | 1 | Retaining Plate | 003800 |
| 25 | 4 | Nut 1/2" UNF | 900105 |
| 26 | 1 | Swinging Pivot | 003200 |
| 27 | 1 | Self Locking Nut | 900115 |
| 28 | 1 | Bolt 1/2" x 3/4" UNF | 900031 |

DP1 RESET WHEEL BEAM



DP1 RESET WHEEL BEAM

| <u>ITEM</u> | <u>QTY</u> | <u>DESCRIPTION</u> | <u>PART NO</u> |
|-------------|------------|---|----------------|
| 1 | 1 | Wheel Yoke | 081100 |
| 2 | 2 | Self Locking nut | 900112 |
| 3 | 2 | Ball Bearing | 900322 |
| 4 | 1 | Grease Nipple | 900431 |
| 5 | 1 | Wheel Hub | 089100 |
| 6 | 1 | Axle Shaft | 027100 |
| 7 | 1 | Spacer Tube | 027200 |
| 8 | 1 | Wheel Arm | 900586 |
| 9 | 2 | Dirt Seal | 027300 |
| 10 | 5 | Locking Wheel Nut | 900493 |
| 11 | 5 | Bolt 3/8" UNF x 1 1/2" | 900042 |
| 12 | 1 | Tyre 10.0 - 16 | 900565 |
| - | 1 | Inner Tube | 900631 |
| - | - | Wheel Assembly (Items 8 & 12) (5, 7 and 4) | 106000 |

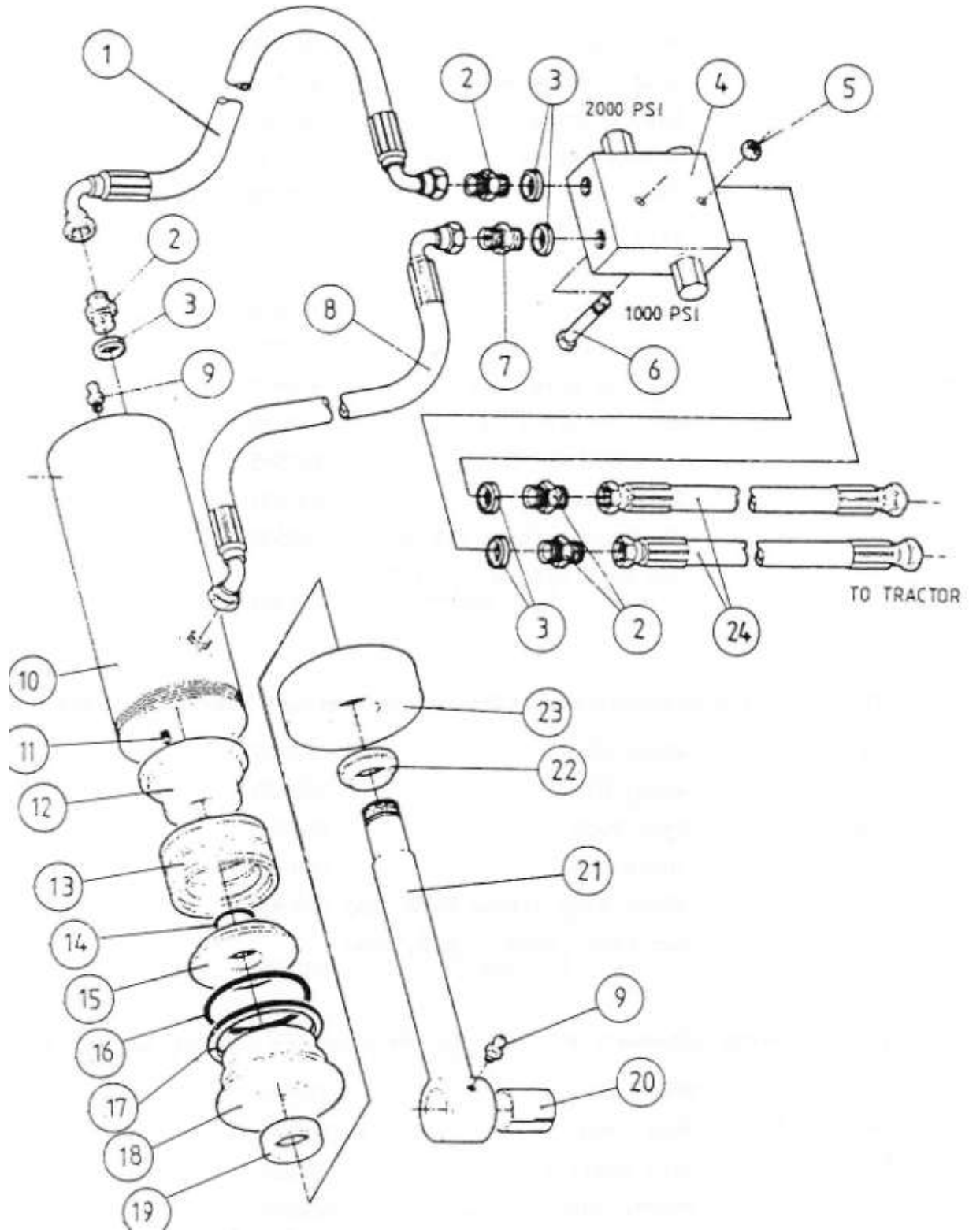
The following alternatives refer to the optional Heavy Duty Wheel:

| | | | |
|-----|---|--|--------|
| 5a | 1 | Wheel Hub | 026900 |
| 8a | 1 | Wheel Rim | 900584 |
| 12a | 1 | Tyre 9.00 - 16 | 900563 |
| - | 1 | Inner Tube | 900579 |
| - | - | Wheel Assembly (Items 8a & 12a) | 056300 |
| - | - | Hub Assembly (Items 2, 6, 9, 3, 5a) (7 and 4) | 037000 |

The following alternatives refer to the obsolete 6.00 - 16.00 Dunlop Wheel:-

| | | | |
|----|---|-------------|--------|
| 1a | 1 | Wheel Yoke | 008700 |
| 5b | 1 | Wheel Hub | 032600 |
| 6a | 1 | Axle Shaft | 008900 |
| 7a | 1 | Spacer Tube | 009200 |

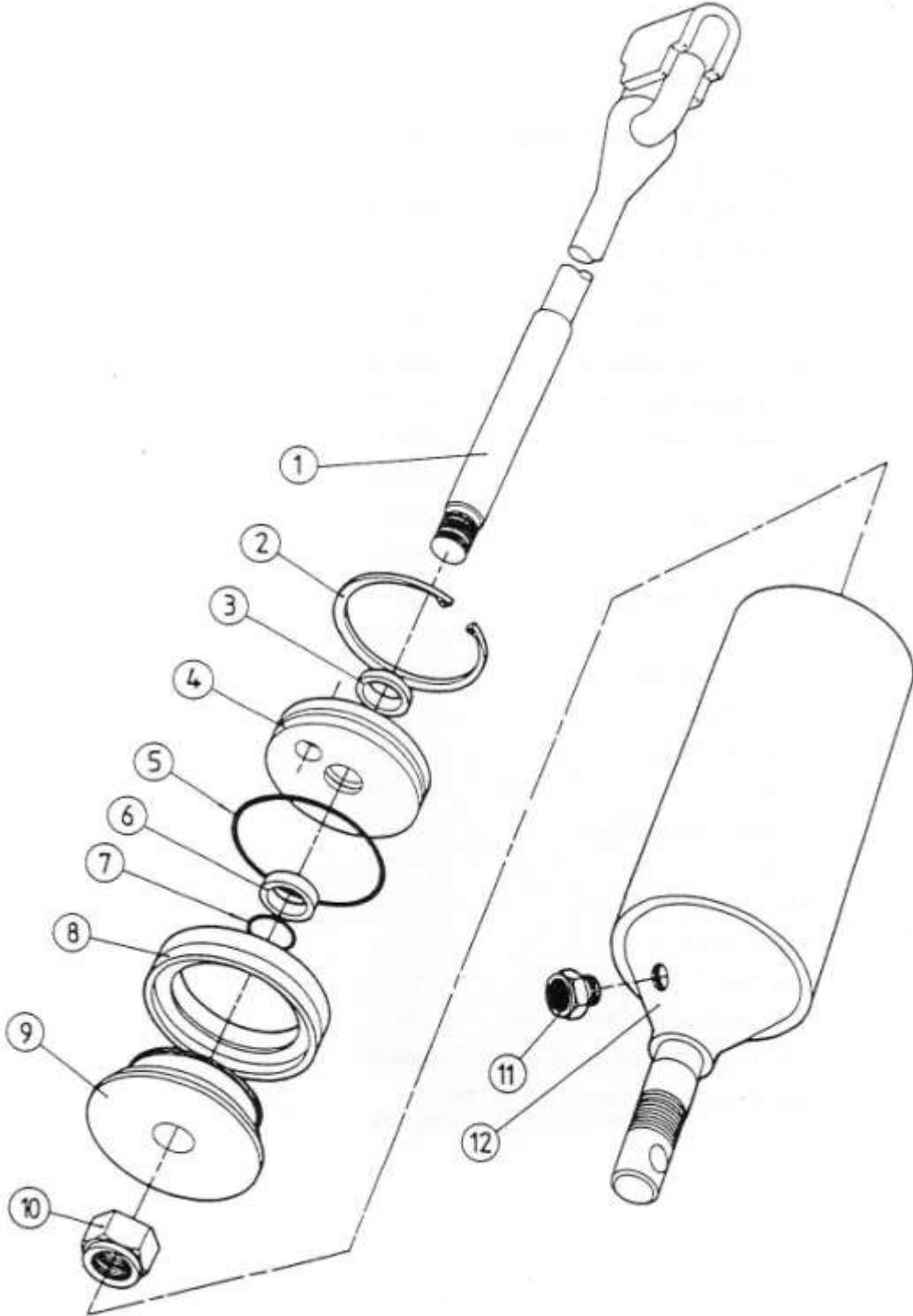
DP1 RESET TURNOVER HYDRAULICS



DP1 RESET TURNOVER HYDRAULICS

| <u>ITEM</u> | <u>QTY</u> | <u>DESCRIPTION</u> | <u>PART NO</u> |
|-------------|------------|--|----------------|
| 1 | 1 | Hose Assembly (25" Hose) | 042000 |
| 2 | 4 | Adaptor 3/8" BSP | 900391 |
| 3 | 5 | Dowty Washer 3/8" BSP | 900301 |
| 4 | 1 | Relief Valve | 088500 |
| 5 | 2 | Nut 5/16" UNF | 900102 |
| 6 | 2 | Bolt 5/16" UND x 2" | 900014 |
| 7 | 1 | Restricted Adaptor | 900906 |
| 8 | 1 | Hose Assembly (25" Hose) | 042000 |
| 9 | 2 | Grease Nipple | 900431 |
| 10 | 1 | Ram Tube | 006800 |
| 11 | 1 | Grubscrew | 900151 |
| 12 | 1 | Piston | 006300 |
| 13 | 1 | Doubke Acting Seal | 900241 |
| 14 | 1 | 'O' Ring | 900201 |
| 15 | 1 | Piston Annulus | 006400 |
| 16 | 1 | 'O' Ring | 900203 |
| 17 | 1 | Back-up Ring | 900801 |
| 18 | 1 | Plug | 006500 |
| 19 | 1 | Single Acting Seal | 900221 |
| 20 | 1 | Bush | 900373 |
| 21 | 1 | Piston Rod | 018700 |
| 22 | 1 | Wiper Seal | 900261 |
| 23 | 1 | End Cap | 006600 |
| 24 | 2 | Hose Assembly (42" Hose) | 008400 |
| | - | Ram Assembly (Items 9-23 inch) | 005900 |
| | - | Ram Seal Set (Items 13, 14, 16) (19 and 22) | 052500 |

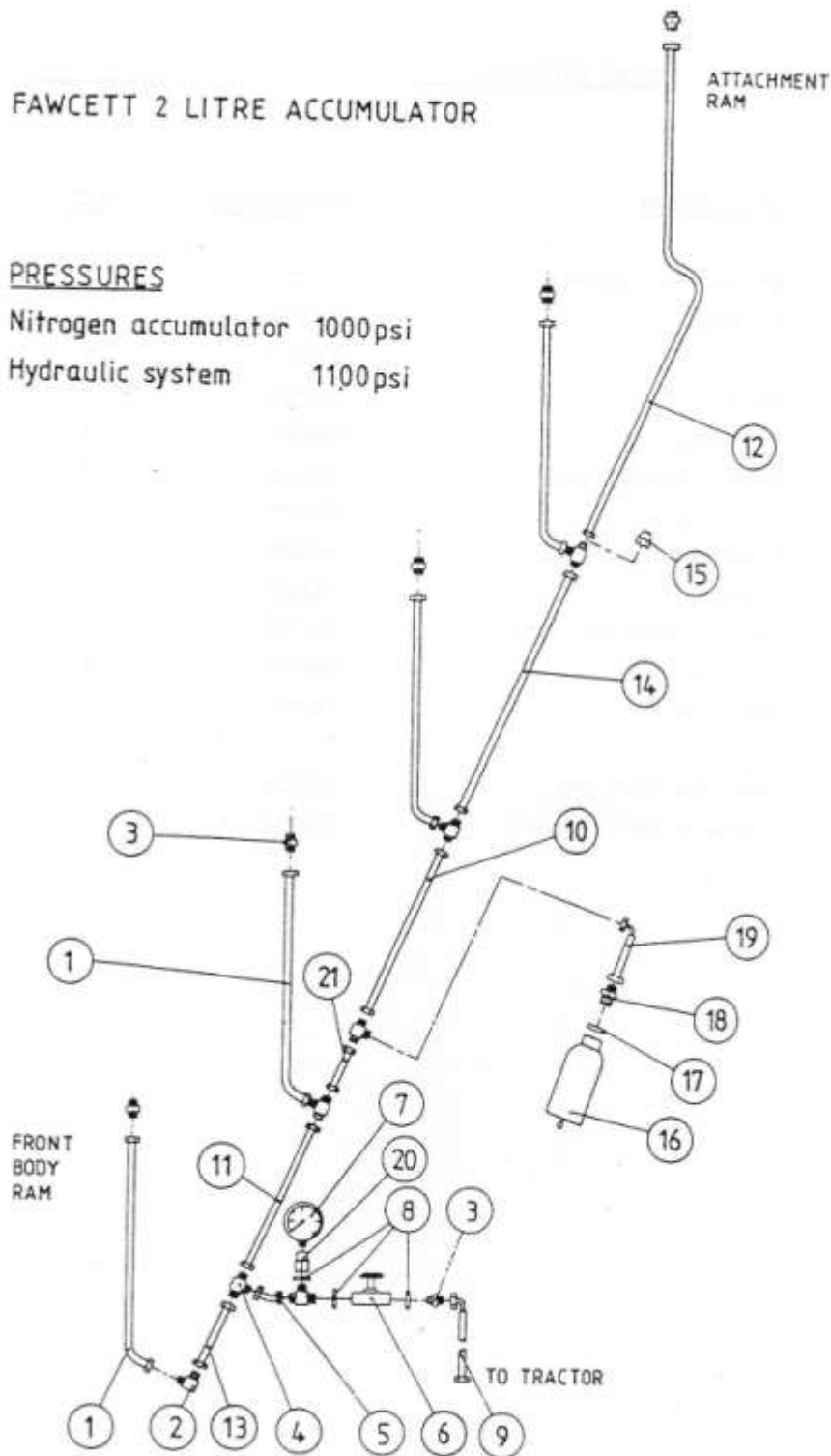
DP1 RESET HYDRAULIC RAM



DP1 RESET HYDRAULIC RAM

| <u>ITEM</u> | <u>QTY</u> | <u>DESCRIPTION</u> | <u>PART NO</u> |
|-------------|------------|-----------------------|----------------|
| 1 | 1 | Handle | 003100 |
| 2 | 1 | Circlip | 900721 |
| 3 | 1 | Wiper | 900263 |
| 4 | 1 | Bung | 130700 |
| 5 | 1 | 'O' Ring | 900204 |
| 6 | 1 | Single Acting Seal | 900225 |
| 7 | 1 | 'O' Ring | 900209 |
| 8 | 1 | Single Acting Seal | 900226 |
| 9 | 1 | Piston | 130600 |
| 10 | 1 | Self Locking Nut M24 | 900786 |
| 11 | 1 | Breather | 900741 |
| 12 | 1 | Ram Tube | 130900 |
| - | - | Complete Seal Kit | 132000 |
| - | - | Complete Ram Assembly | 130500 |

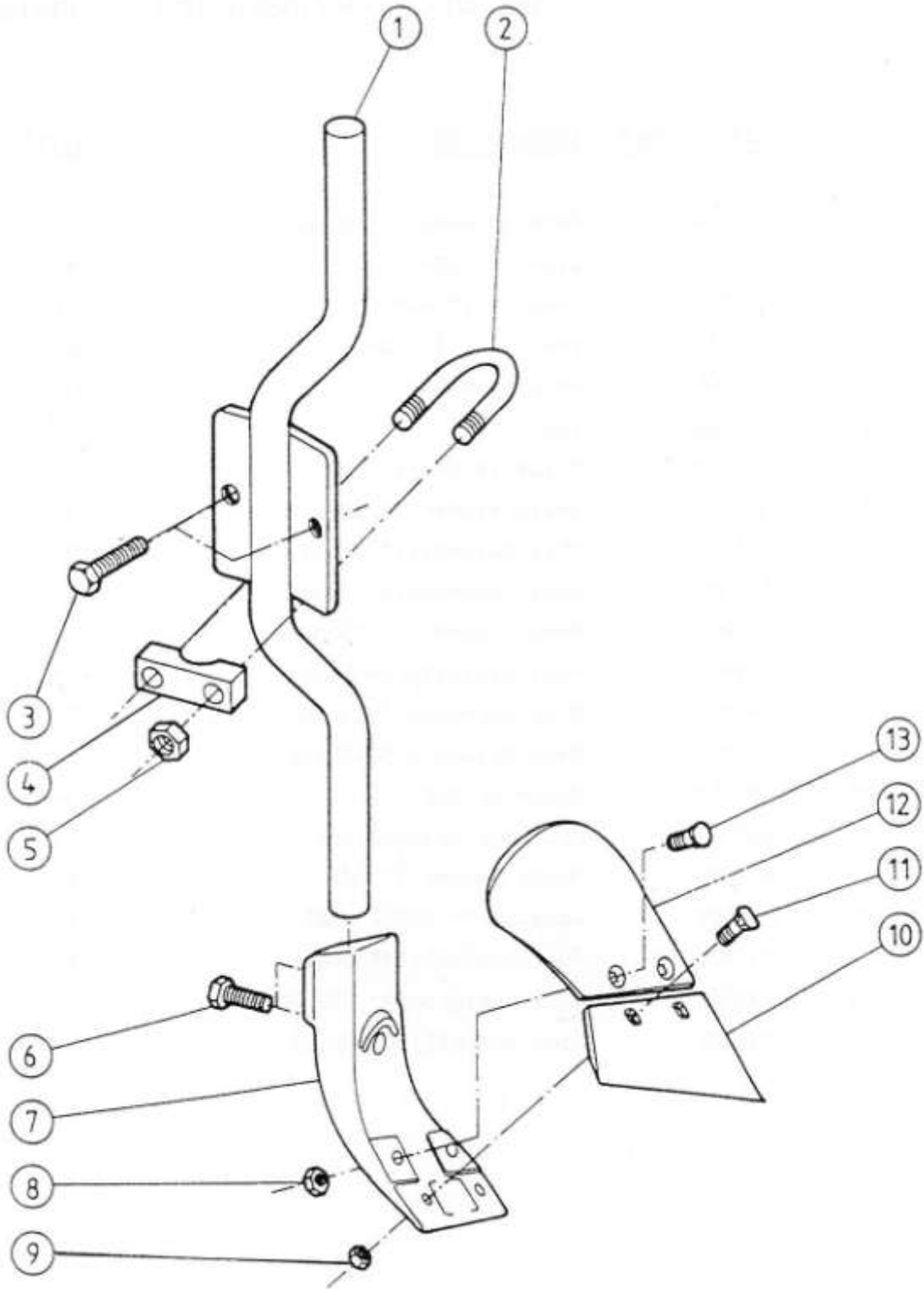
DP1 RESET HYDRAULICS



DP1 RESET HYDRAULICS

| <u>ITEM</u> | <u>QTY</u> | <u>DESCRIPTION</u> | <u>PART NO</u> |
|-------------|------------|------------------------------------|----------------|
| 1 | 4 | Hose Assembly (35" Hose) | 140000 |
| 2 | 1 | Elbow 3/8" BSP | 900757 |
| 3 | 5/6 | Adaptor 3/8" BSP | 900391 |
| 4 | 6 | Tee Piece 3/8" HSP | 900758 |
| 5 | 1 | Hose Assembly | 140500 |
| 6 | 1 | Tap | 900766 |
| 7 | 1 | Pressure Gauge | 900765 |
| 8 | 3 | Dowty Washer 3/8" BSP | 900301 |
| 9 | 1 | Hose Assembly (84" Hose) | 141400 |
| 10 | 1 | Hose Assembly (23" Hose) | 140300 |
| 11 | 1 | Hose Assembly (14" Hose) | 140200 |
| 12 | -/1 | Hose Assembly (69" Hose) | 140700 |
| 13 | 1 | Hose Assembly (14" Hose) | 140200 |
| 14 | 1 | Hose Assembly (30 1/2" Hose) | 140400 |
| 15 | 1/- | Blanking Nut | 900767 |
| 16 | 1 | Nitrogen Accumulator | 900761 |
| 17 | 1 | Dowty Washer 1" BSP | 900304 |
| 18 | 1 | Adaptor 1" BSP / 3/8" BSP | 900399 |
| 19 | 1 | Hose Assembly (3" Hose) | 151200 |
| 20 | 1 | Female Adaptor 3/8" BSP / 1/4" BSP | 900760 |
| 21 | 1 | Hose Assembly 4 1/2" Hose) | 140500 |

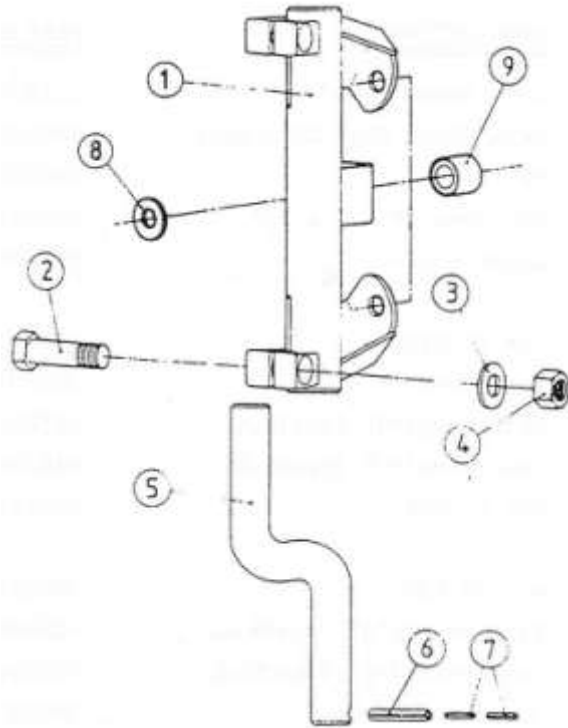
DP1 RESET SKIM



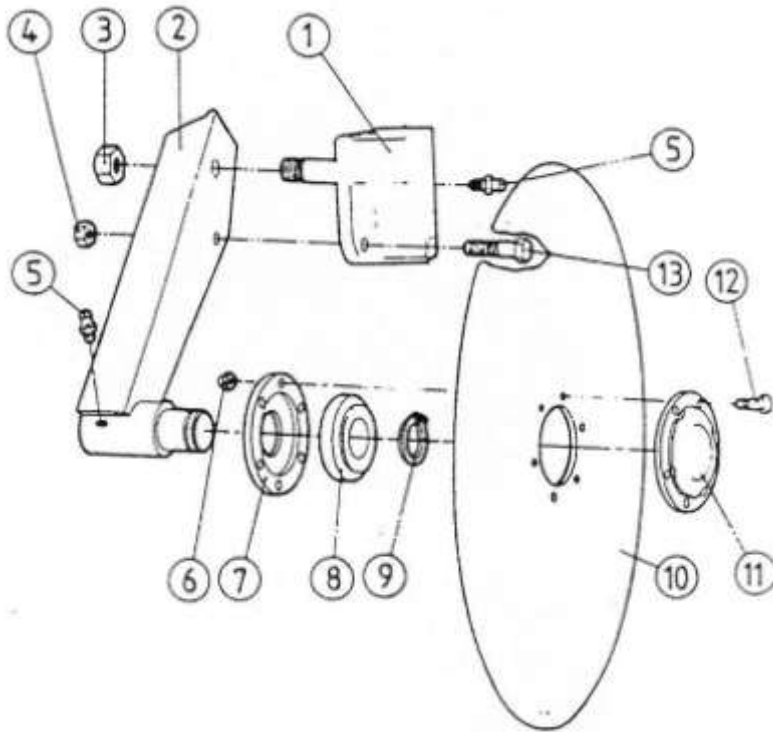
DP1 RESET SKIM

| <u>ITEM</u> | <u>QTY</u> | <u>DESCRIPTION</u> | <u>PART NO</u> |
|-------------|------------|----------------------------|----------------|
| 1 | 1 | Skim Shank | 131900 |
| - | - | Skim Shank High Clearance | 289700 |
| 2 | 2 | 'U' Bolt | 010700 |
| 3 | 2 | Setscrew 5/8" UNC x 2 1/2" | 900094 |
| 4 | 2 | Clamp Block | 010800 |
| 5 | 4 | Nut 5/8" UNC | 900496 |
| 6 | 2 | Lockscrew | 062700 |
| 7 | 1 | Skim Frog ('J' Type) R.H. | 048298 |
| - | 1 | Skim Frog ('J' Type) L.H. | 048299 |
| 8 | 4 | Nut 3/8" UNF | 900103 |
| 9 | 4 | Nut 3/8" UNC | 900498 |
| 10 | 1 | Skim Point ('J' Type) R.H. | 048098 |
| - | 1 | Skim Point ('J' Type) L.H. | 048099 |
| 11 | 4 | Taper Head Bolt | 900810 |
| 12 | 1 | Skim Wing ('J' Type) R.H. | 048198 |
| - | 1 | Skim Wing ('J' Type) L.H. | 048199 |
| 13 | 4 | Countersunk Square Bolt | 900141 |

DP1 RESET WHEEL BEAM



Disc Bracket



Disc Assembly

DP1 RESET DISC BRACKET

| <u>ITEM</u> | <u>QTY</u> | <u>DESCRIPTION</u> | <u>PART NO</u> |
|-------------|------------|-----------------------------|----------------|
| 1 | 1 | Disc Bracket | 13800 |
| 2 | 2 | Bolt 5/8" UNF x 2 1/2" | 900043 |
| 3 | 2 | Plain Washer | 900172 |
| 4 | 2 | Nut 5/8" UNF | 900106 |
| 5 | 2 | Stalk | 137900 |
| 5a | - | Long Disc Stalk 359 mm long | 1018900 |
| 6 | 2 | Spring Pin Ø10 x 60 | 900542 |
| 7 | 4 | Spring Pin Ø6 x 30 | 900541 |
| 8 | 1 | Plain Washer | 900178 |
| 9* | 3 | Spacer | 178200 |
| 10* | 3 | Bolt 3/4" UNF x 2 1/2" | 900197 |
| 11* | 3 | Spring Washer 3/4" | 900197 |

*Spring Reset Only

DP1 RESET DISC ASSEMBLY

| | | | |
|-----|---------|----------------------------|--------|
| 1 | 1 | Disc Arm Swivel R.H. | 305698 |
| - | 1 | Disc Arm Swivel L.H. | 305699 |
| 2 | As req. | Disc Arm 18" R.H. | 052998 |
| - | As req. | Disc Arm 18" L.H. | 052999 |
| 2a | As req. | Disc Arm 20" R.H. | 063698 |
| - | As req. | Disc Arm 20" L.H. | 063699 |
| 3 | 1 | Nut 3/4" UNF | 900107 |
| 4 | 1 | Nut 1/2" UNF | 900105 |
| 5 | 2 | Grease Nipple | 900431 |
| 6 | 6 | Self Locking Nut 5/16" UNF | 900144 |
| 7 | 1 | Bearing Housing (Inner) | 055000 |
| 8 | 1 | Ball Bearing | 900324 |
| 9 | 1 | Circlip | 900601 |
| 10 | As req. | Disc - 18" Plain | 052800 |
| 10a | As req. | Disc - 20" Plain | 053000 |
| 10b | As req. | Disc - 18" Cutaway | 063800 |
| 11 | 1 | Bearing Housing (Outer) | 054900 |
| 12 | 6 | Bolt 5/16" UNF x 1 1/8" | 900012 |
| 13 | 1 | Shear Bolt | 900483 |

DISC ASSEMBLIES (COMPRISING ITEMS 2, 6, 7, 8, 9, 10, 11, 12)

| | | | |
|---|---|----------------|--------|
| - | - | 18" Plain R.H. | 063998 |
| - | - | 18" Plain L.H. | 063999 |
| - | - | 20" Plain R.H. | 081898 |
| - | - | 20" Plain L.H. | 081899 |
| - | - | 18" Cutaway | 081998 |
| - | - | 18" Cutaway | 081999 |