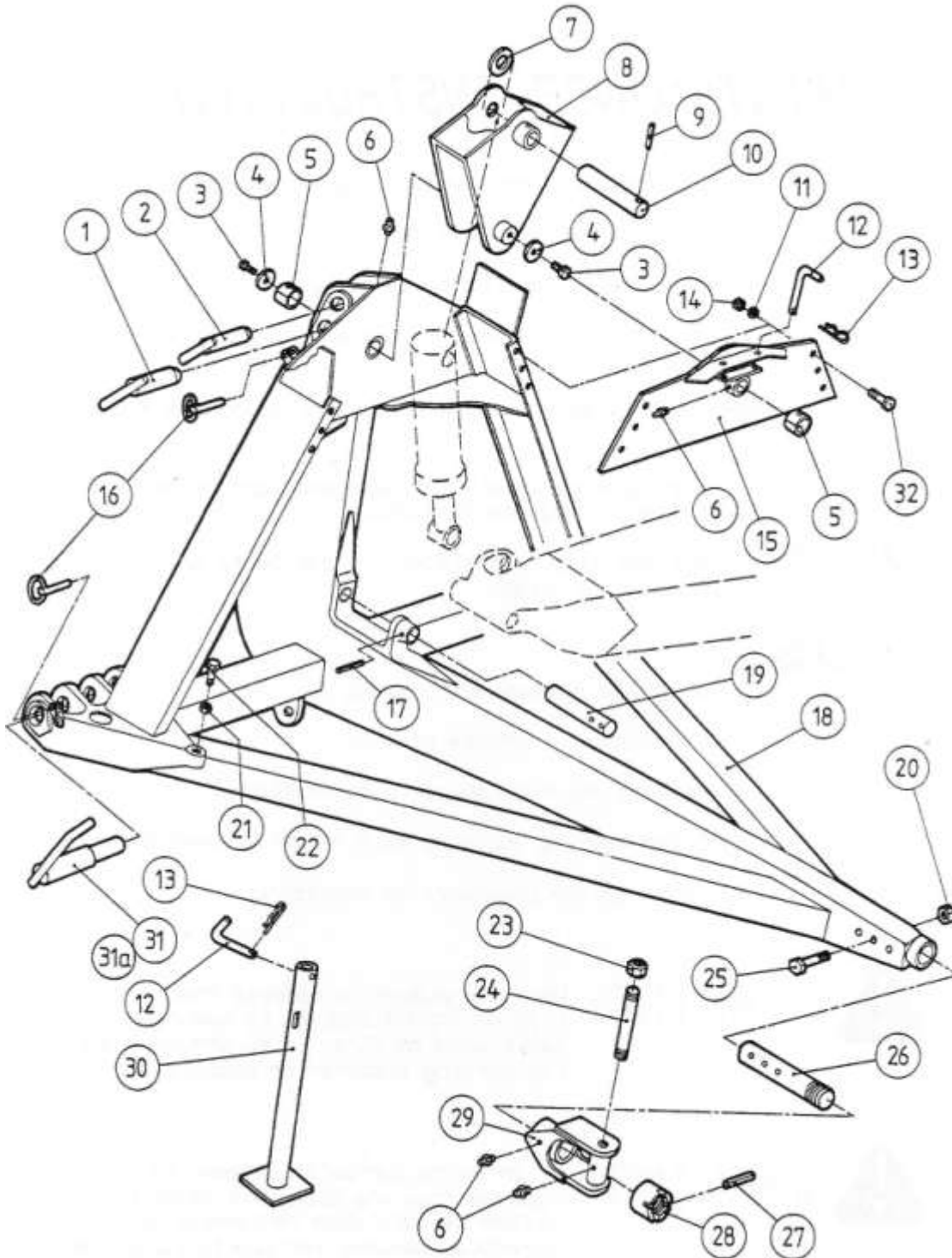


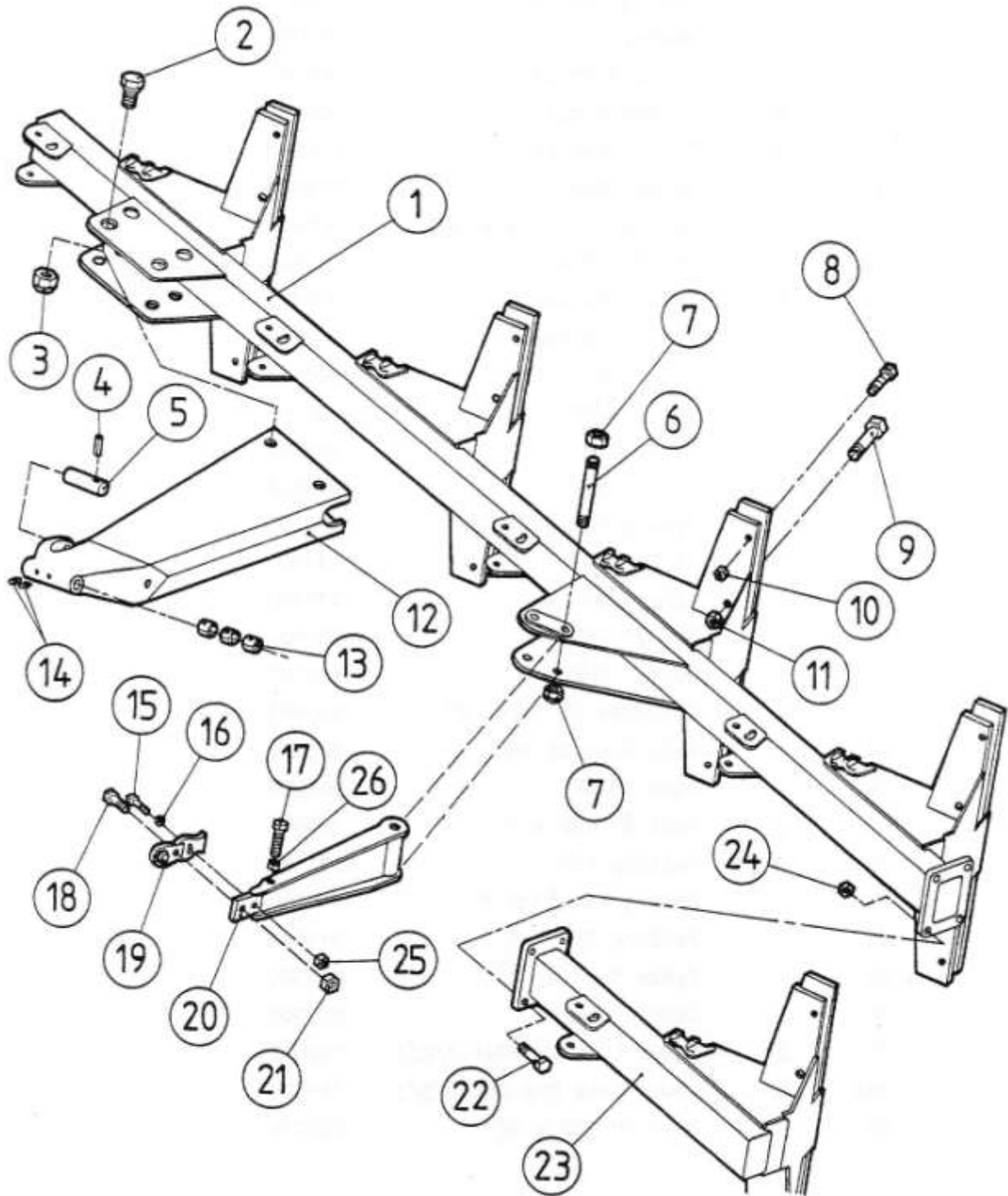
DP1 'A' FRAME



DP1 'A' FRAME

<u>ITEM</u>	<u>QTY</u>	<u>DESCRIPTION</u>	<u>PART NO</u>
1	1	Top Link Pin Cat. 2	145300
2	1	Top Link Pin Cat. 3	145400
3	2	Bolt 1/2" UNF x 3/4"	900034
4	2	Washer	900171
5	2	Plain Bearing	900347
6	4	Grease Nipple	900431
7	2	Thrust Washer	012700
8	1	Rocker Box	012300
9	1	Spring Pin 5/16" x 1 1/2"	900282
10	1	Top Ram Pin	012400
11	6	Spring Washer	900195
12	4	Retaining Peg	012500
13	4	'R' Clip	900521
14	6	Nut 1/2" UNF	900105
15	1	Backplate	053900
16	4	Linch Pin	900526
17	1	Spring Pin 3/8" x 2 1/4"	900287
18	1	'A' Frame	031300
19	1	Pivot Pin	032100
20	3	Nut 5/8" UNF	900106
21	2	Nut 3/4" UNF	900107
22	2	Setscrew 3/4" UNF x 3"	900083
23	2	Self Locking Nut	900112
24	1	Stud 1" UNF	900509
25	3	Bolt 5/8" UNF x 4"	900045
26	1	Pulling Pin	011700
27	1	Spring Pin 3/8" x 3"	900288
28	1	Pulling Pin Nut	011600
29	1	Spade Handle	011500
30	2	Support Leg	060900
31	2	Lower Link Pin Cat 2/2/3	149800
31a	2	Lower Link Pin 2/3/3	145500
32	6	Bolt 1/2" UNF x 1 3/4"	900034

DP1 MAIN BEAM

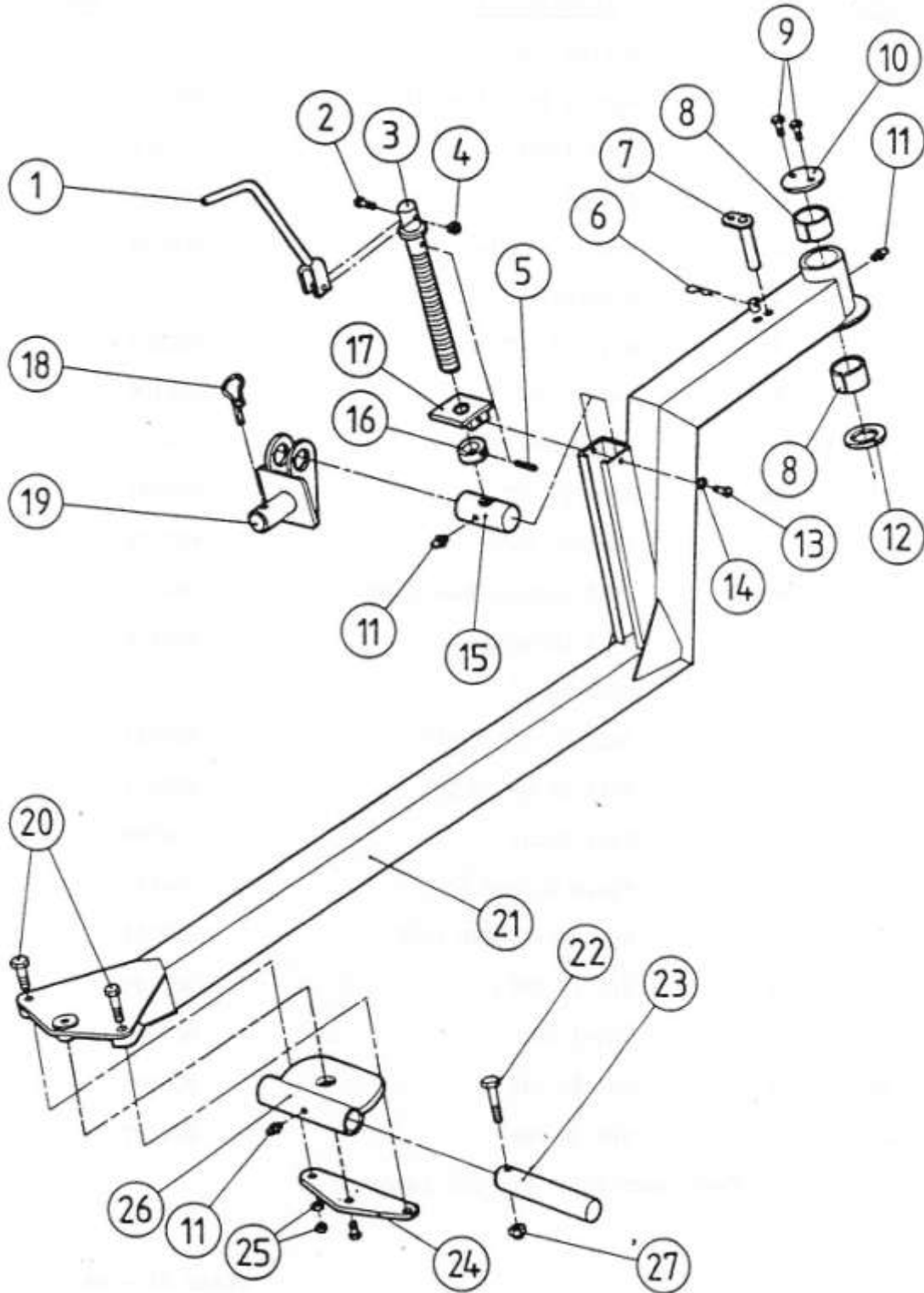


DP1 MAIN BEAM

<u>ITEM</u>	<u>QTY</u>	<u>DESCRIPTION</u>	<u>PART NO</u>
1	1	Main Beam	-
2	4	Coned Bolt	008200
3	4	Self Locking Nut	900112
4	1	Spring Pin 3/8" x 2 1/4"	900287
5	1	Bottom Ram Pin	032200
6	1	Stud 1" UNF	900506
7	2	Self Locking Nut	900112
8	2*	Shear Bolt	900481
9	2*	Bolt 1" x 3 1/4"	900063
10	2*	Nut 5/8" UNF	900106
11	2*	Nut 1" UNF	900109
12	1	Turnover Box (Variable Offset)	032000
13	3	Bush	900373
14	2	Grease Nipple	900431
15	1	Bolt 5/8" UNF x 2 1/2"	900043
16	1	Plain Washer 5/8"	900172
17	2	Setscrew 1/2" UNF x 3"	900081
18	1	Bolt 3/4" UNF x 2 1/2"	900053
19	1	Ball Joint	030400
20	1	Wheel Arm	086400
21	1	Nut 3/4" UNF	900107
22	As req.	Bolt 3/4" UNF x 3"	900055
23	As req.	Extension Beam	-
24	As req.	Nut 3/4" UNF Self Locking	900111
25	1	Nut 5/8" UNF	900106
26	2	Nut 1/2" UNF	900105

* These quantities are per furrow.

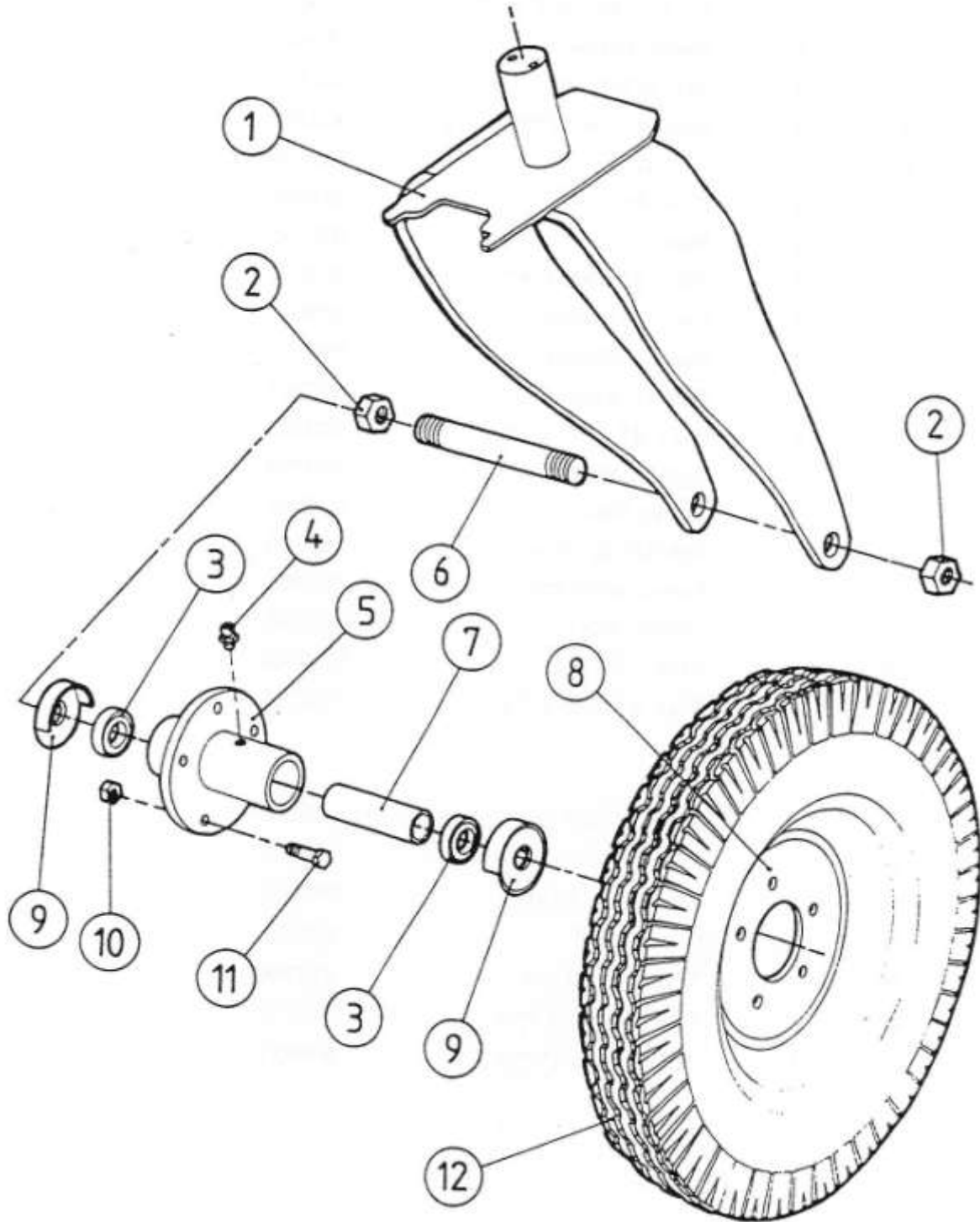
DP1 WHEEL BEAM



DP1 WHEEL BEAM

<u>ITEM</u>	<u>QTY</u>	<u>DESCRIPTION</u>	<u>PART NO</u>
1	1	Handle	003100
2	1	Bolt 5/16" UNF x 2"	900014
3	1	Depth Screw	080000
4	1	Nut 5/16" UNF	900102
5	1	Spring Pin 5/16" x 1 1/2"	900282
6	1	'R' Clip	900521
7	1	Slew Pin	008500
8	2	Bush	900345
9	2	Bolt 1/2" UNF x 3/4"	900031
10	1	Yoke Retainer	008600
11	3	Grease Nipple	900431
12	1	Thrust Washer	900361
13	2	Bolt 3/8" UNF x 3/4"	900022
14	2	Spring Washer	900193
15	1	Slide Shaft	002800
16	1	Retaining Boss	002200
17	1	Location Plate	002900
18	1	Linch Pin	900526
19	1	Slide Bracket	002500
20	2	Bolt 1/2" UNF x 2 1/2"	900038
22	1	Bolt 3/8" UNF x 2"	900026
23	1	Pivot Pin	009300
24	1	Retaining Plate	003800
25	4	Nut 1/2" UNF	900105
26	1	Swinging Pivot	003200
27	1	Self Locking Nut	900115
28	1	Bolt 1/2" x 3/4" UNF	900031

DP1 WHEEL & YOKE



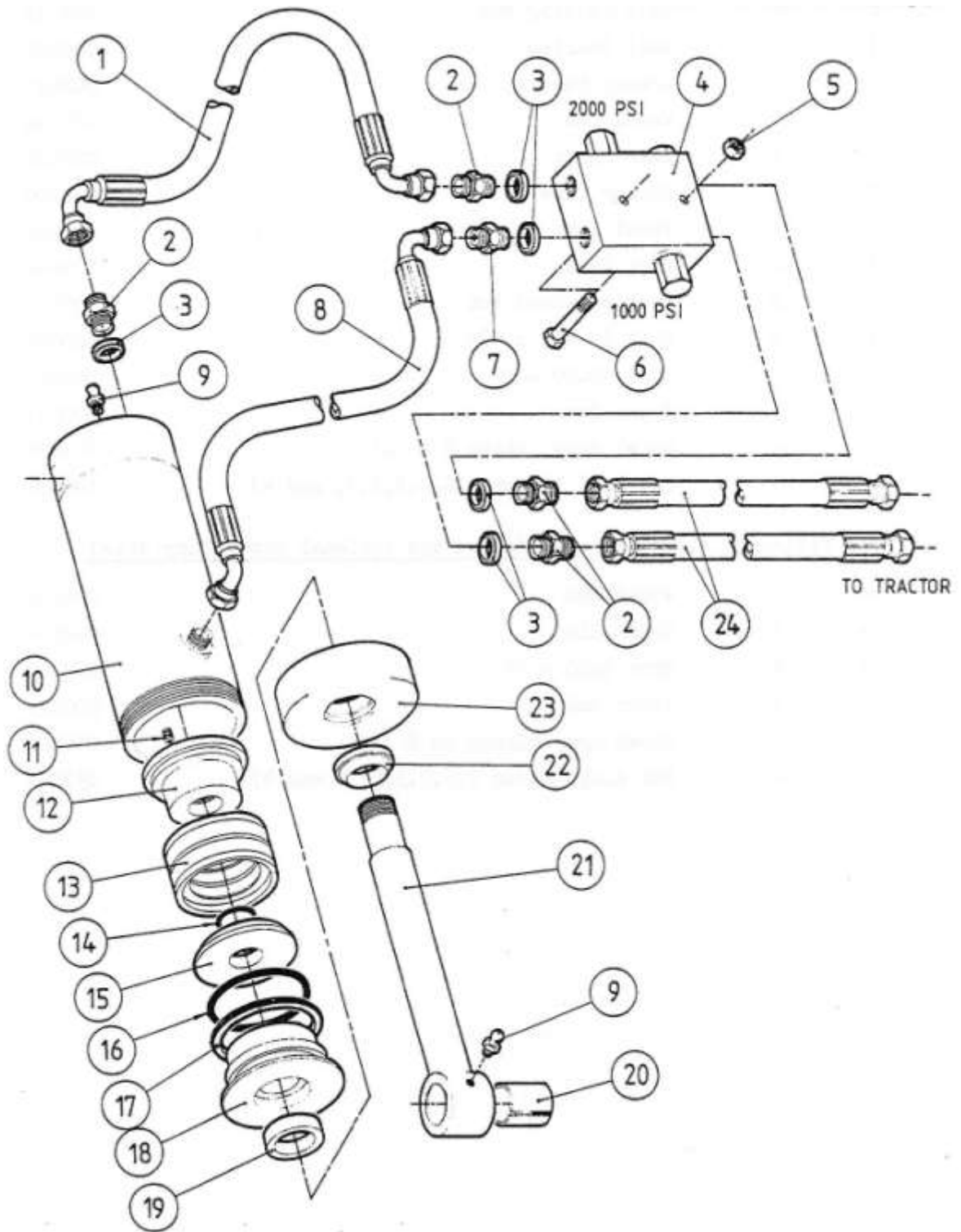
DP1 WHEEL & YOKE

<u>ITEM</u>	<u>QTY</u>	<u>DESCRIPTION</u>	<u>PART NO</u>
1	1	Wheel Yoke	081100
2	2	Self Locking Nut	900112
3	2	Ball Bearing	900322
4	1	Grease Nipple	900431
5	1	Wheel Hub	089100
6	1	Axle Shaft	027100
7	1	Spacer Tube	027200
8	1	Wheel Arm	900586
9	2	Dirt Seal	199900
10	5	Locking Wheel Nut	900493
11	5	Bolt 3/8" UNF x 1 1/2"	900042
12	1	Tyre 10.00 – 16	900565
-	1	Inner Tube	900631
-	-	Wheel Assy (Items 8 & 12)	088800
-	-	Hub Assy (Items 2, 6, 9, 3) (5, 7, and 4)	106000

The following alternatives refer to the optional Heavy Duty Wheel:

5a	1	Wheel Hub	026900
8a	1	Wheel Rim	900584
12a	1	Tyre 9.00 – 16	900563
-	1	Inner Tube	900579
-	-	Wheel Assy (Items 8a & 12a)	056300
-	-	Hub Assy (Items 2, 6, 9, 3, 5a) (7 and 4)	037000

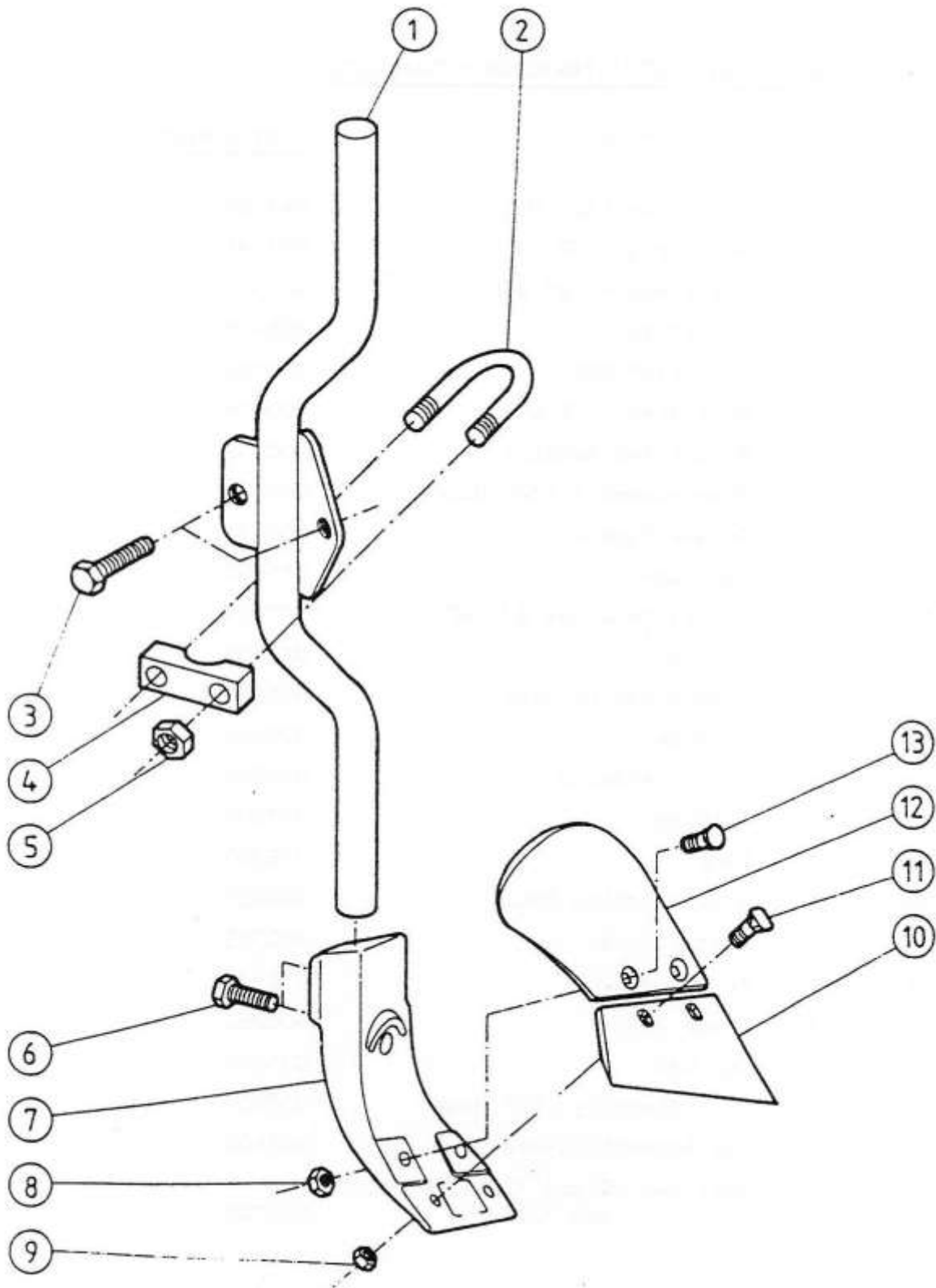
DP1 TURNOVER HYDRAULICS



DP1 TURNOVER HYDRAULICS

<u>ITEM</u>	<u>QTY</u>	<u>DESCRIPTION</u>	<u>PART NO</u>
1	1	Hose Assy (25" Hose)	042000
2	4	Adaptor 3/8" BSP	900391
3	5	Dowty Washer 3/8" BSP	900301
4	1	Relief Valve	088500
5	2	Nut 5/16" UNF	900102
6	2	Bolt 5/16" UNF x 2"	900014
7	1	Restricted Adaptor	900906
8	1	Hose Assembly (25" Hose)	042000
9	2	Grease Nipple	900431
10	1	Ram Tube	006800
11	1	Socket Setscrew 3/4" UNF	900151
12	1	Piston	006300
13	1	Double Acting Seal	900241
14	1	'O' Ring	900201
15	1	Piston Annulus	006400
16	1	'O' Ring	900203
17	1	Back-up Ring	900801
18	1	Plug	006500
19	1	Single Acting Seal	900221
20	1	Bush	900373
21	1	Piston Rod	018700
22	1	Wiper Seal	900261
23	1	End Camp	006600
24	2	Hose Assembly (42" Hose)	008400
-	-	Ram Assembly (Items 9-23 inclusive)	005900
-	-	Ram Assembly (Items 13, 14, 16, 19 and 22.)	052500

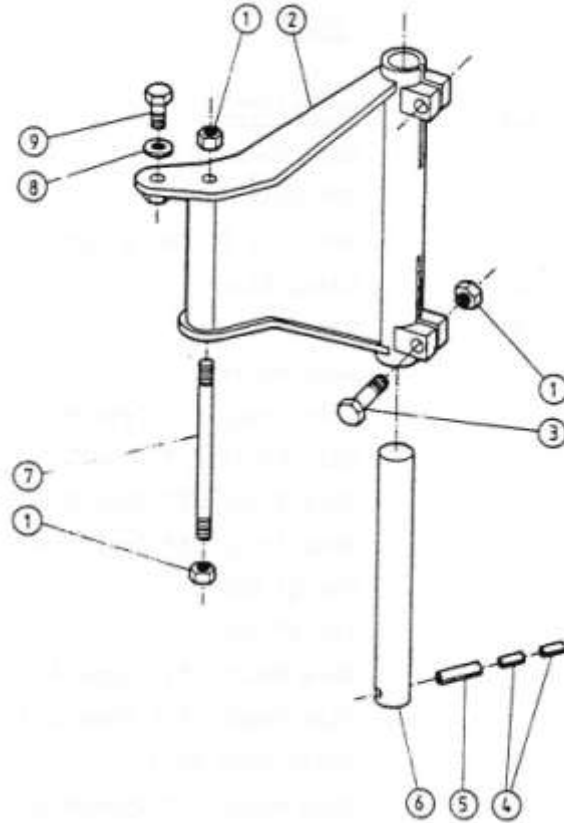
DP1 SKIM



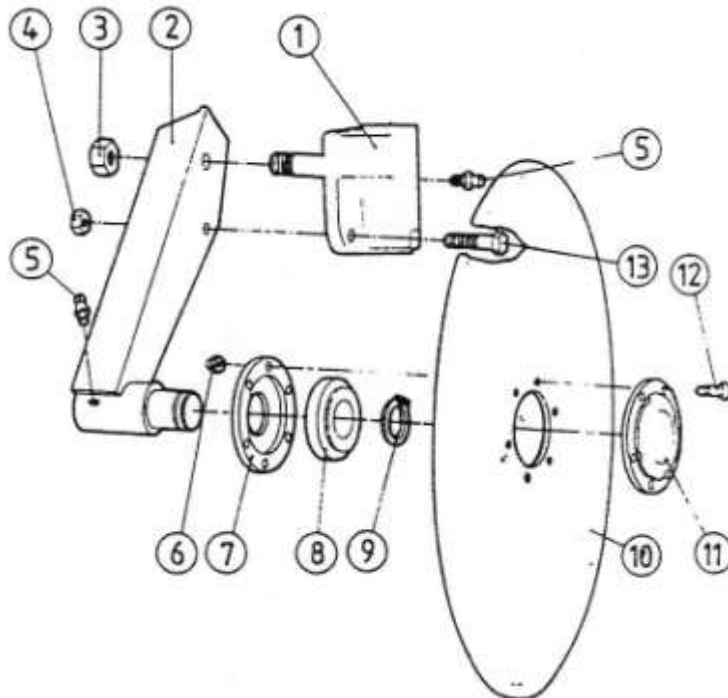
DP1 SKIM

<u>ITEM</u>	<u>QTY</u>	<u>DESCRIPTION</u>	<u>PART NO</u>
1	1	Skim Shank	054000
2	2	'U' Bolt	010700
3	2	Setscrew 5/8" UNC x 2 1/2"	900996
4	2	Clamp Block	010800
5	4	Nut 5/8" UNC	900496
6	4	Lock Screw	062700
7	1	Skim Frog ('J' Type) R.H.	048298
-	1	Skim Frog ('J' Type) L.H.	048299
7a	-	Skim Frog ('K' Type) R.H.	191398
-	-	Skim Frog ('K' Type) L.H.	191399
8	4	Nut 3/8" UNF	900103
9	4	Nut 3/8" UNC	900498
10	1	Skim Point ('J' Type) R.H.	048098
-	1	Skim Point ('J' Type) L.H.	048099
11	4	Taper Head Bolt	900810
12	1	Skim Wing ('J' Type) R.H.	048198
-	1	Skim Wing ('J' Type) L.H.	048199
13	4	Countersunk Square Bolt	900141

DP1 DISC BRACKET



DP1 DISC ASSEMBLY



DP1 DISC BRACKET

<u>ITEM</u>	<u>QTY</u>	<u>DESCRIPTION</u>	<u>PART NO</u>
1	4	Nut 5/8 UNF	900106
2	1	Disc Bracket	004800
3	2	Bolt 5/8" UNF x 2 1/2"	90043
4	4	Spring Pin 6mm Dia x 30mm	900541
5	2	Spring Pin 10mm Dia x 60mm	90054 2
6	2	Stalk	013500
-	-	Stalk (30" Underbeam – 188600)	013500
7	1	Stud 5/8" UNF x 7 5/8"	900501
8	1	Plain Washer 5/8"	900172
9	1	Bolt 5/8" UNF x 1 1/4"	900048

DP1 DISC ASSEMBLY

<u>ITEM</u>	<u>QTY</u>	<u>DESCRIPTION</u>	<u>PART NO</u>
1	1	Disc Arm Swivel R.H.	013498
-	1	Disc Arm Swivel L.H.	013499
2	As req.	Disc Arm 18" R.H.	052998
-	As req.	Disc Arm 18" L.H.	052999
2a	As req.	Disc Arm 20" R.H.	063698
-	As req.	Disc Arm 20" L.H.	063699
3	1	Nut 3/4" UNF	900107
4	1	Nut 1/2" UNF	900105
5	2	Grease Nipple	900431
6	6	Self Locking Nut 5/16" UNF	900114
7	1	Bearing Housing (Inner)	055000
8	1	Ball Bearing	900324
9	1	Circlip	900601
10	As req.	Disc 18" Plain	052800
10a	As req.	Disc 20" Plain	053000
10b	As req.	Disc 18" Cutaway	063800
10c	As req.	Disc 20" Cutaway	051400
11	1	Bearing Housing (Outer)	054900
12	6	Bolt 5/16" UNF x 1 1/8"	900013
13	1	Shear Bolt	900483
Disc Assemblies (Comprising Items 2, 6, 7, 8, 9, 10, 11, 12.)			
-	-	18" Plain R.H.	063998
-	-	18" Plain L.H.	063999
-	-	20" Plain R.H.	081898
-	-	20" Plain L.H.	081899
-	-	18" Cutaway R.H.	081998
-	-	18" Cutaway L.H.	081999
-	-	20" Cutaway R.H.	082098
-	-	20" Cutaway L.H.	082099