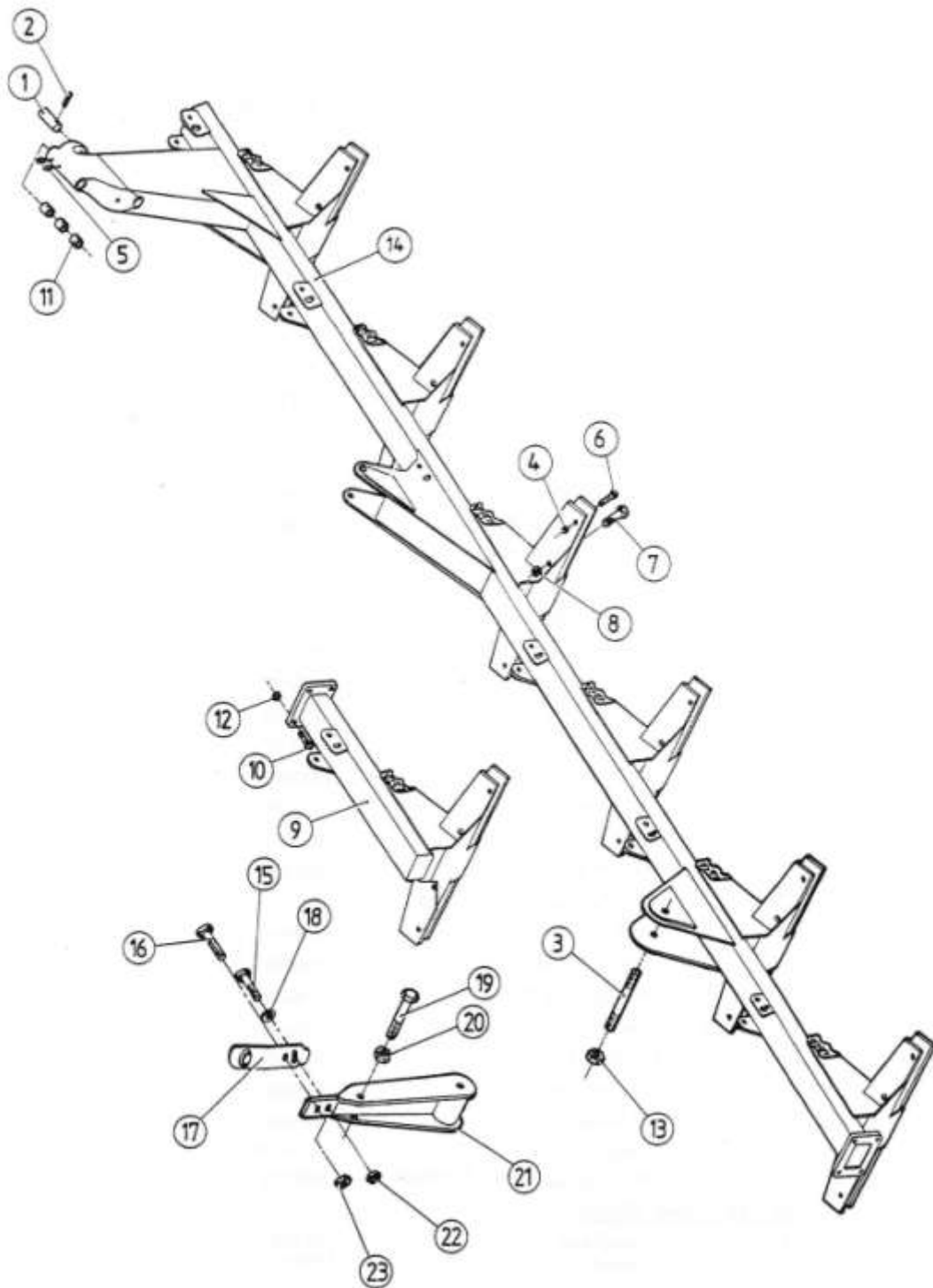


DP1 HEAVY DUTY 'A' FRAME

<u>ITEM</u> <u>NO</u>	<u>QTY</u>	<u>DESCRIPTION</u>	<u>PART</u>
1	2	Thrust Washer	035700
2	1	Spring Pin 3/8" x 2"	900286
3	1	Top Ram Pin	028600
4	1	Backplate	1023000
5	2	Bolt 5/8" UNF x 1"	900041
6	4	Grease Nipple	900431
7	8	Nut 1/2" UNF	900105
8	8	Bolt 1/2" UNF x 1 1/2"	900034
9	2	Plain Bearing	900350
10	2	Washer	900177
11	4	Linch Pin	900526
12	1	Clapper Pin	022800
13	1	Top Link Pin Cat. 2	012000
13a	1	Top Link Pin Cat. 3	011900
14	2	Bottom Link Pin Cat. 2/2/3	149800
14a	2	Bottom Link Pin Cat. 2/3/3	145500
15	1	Spring Pin 3/8" x 2 1/4"	900287
16	1	Pivot Pin	036800
17	4	'R' Clip	900521
18	2	Nut 3/4" UNF	900107
19	2	Setscrew 3/4" UNF x 3"	900083
20	1	'A' Frame	162200
21	3	Bolt 5/8" UNF x 4"	900045
22	3	Nut 5/8" UNF	900106
23	2	Self Locking Nut 1" UNF	900112
24	1	Stud	900505
25	1	Spring Pin 3/8" x 3"	900288
26	1	Pulling Pin Nut	011600
27	1	Spade Handle	011500
28	1	Pulling Pin	011700
29	2	Support Leg	060900
30	4	Retaining Peg	012500
31	1	Rocker	1019300
32		Self Locking Nut 3/8" UNF	900115
<u>For Pre-1988 Models</u>			
4		Backplate	116100
31		Rocket	115900

DP1 HEAVY DUTY MAIN BEAM

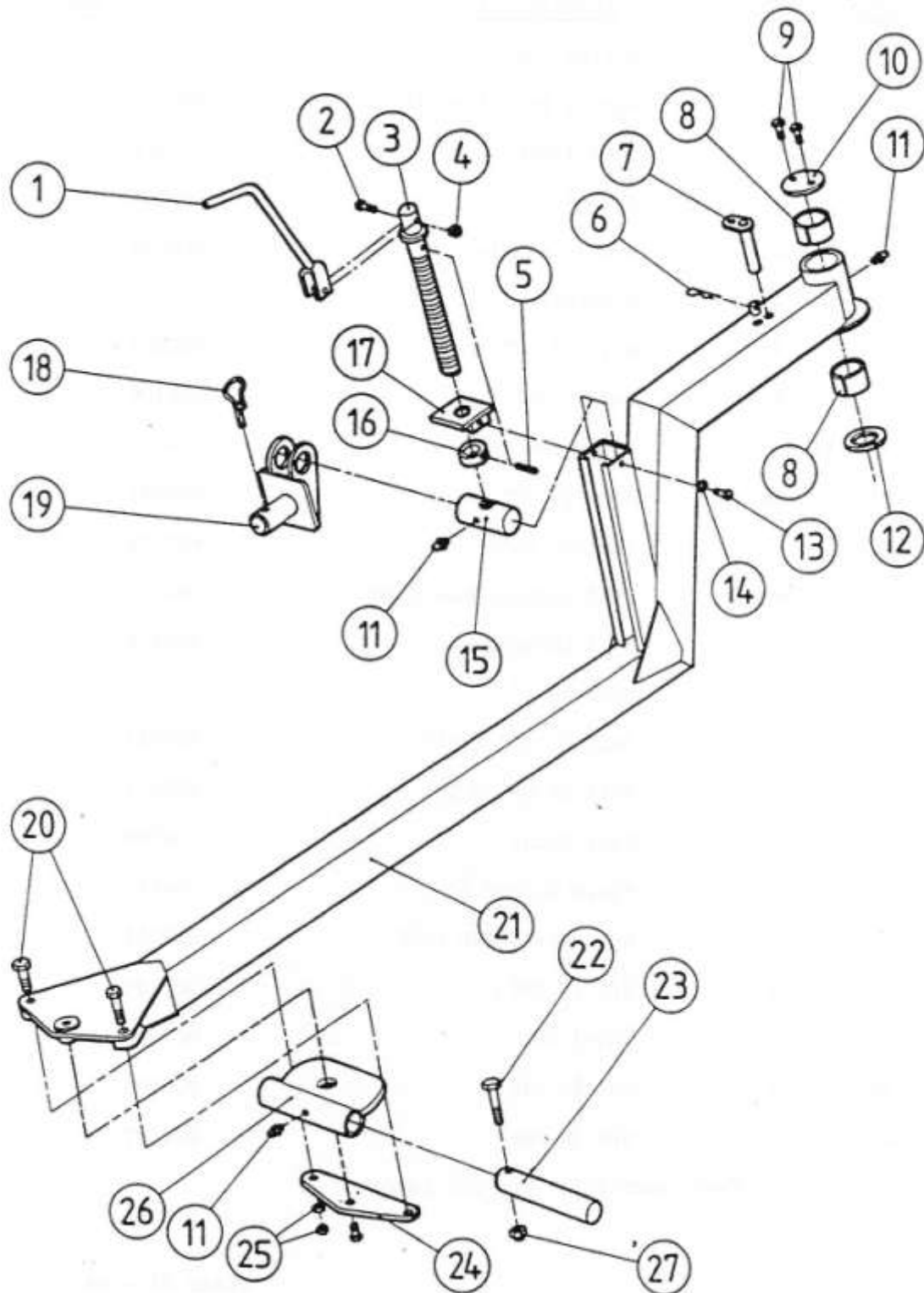


DP1 HEAVY DUTY MAIN BEAM

<u>ITEM</u> <u>NO</u>	<u>QTY</u>	<u>DESCRIPTION</u>	<u>PART</u>
1	1	Bottom Ram Pin	032200
2	1	Spring Pin 3/8" x 2 1/4"	900287
3	1	Stud 1" UNF	900506
4	2*	Nut 5/8" UNC	900496
5	4	Grease Nipple	900431
6	2*	Shearbolt	900481
7	2*	Bolt 1" UNF x 3 1/4"	900063
8	2*	Nut 1" UNF	900106
9	As req.	Extension Beam	-
10	As req.	Bolt 3/4" UNF 2 1/2"	900053
11	3	Tension Bush	900374
12	As req.	Self Locking Nut 3/4" UNF	900111
13	2	Self Locking Nut	90012
14	1	Main Beam	
15	1	Bolt 5/8" UNF x 2 1/2"	900043
16	1	Bolt 3/4" UNF x 2 1/2"	900053
17	1	Ball Joint	030400
18	1	Plain Washer 5/8"	900172
19	2	Setscrew 1/2" UNF x 3"	900081
20	1	Nut 1/2" UNF	900105
21	1	Wheel Arm	086400
22	1	Nut 5/8" UNF	900106
23	1	Nut 3/4" UNF	900107

* These quantities are per furrow

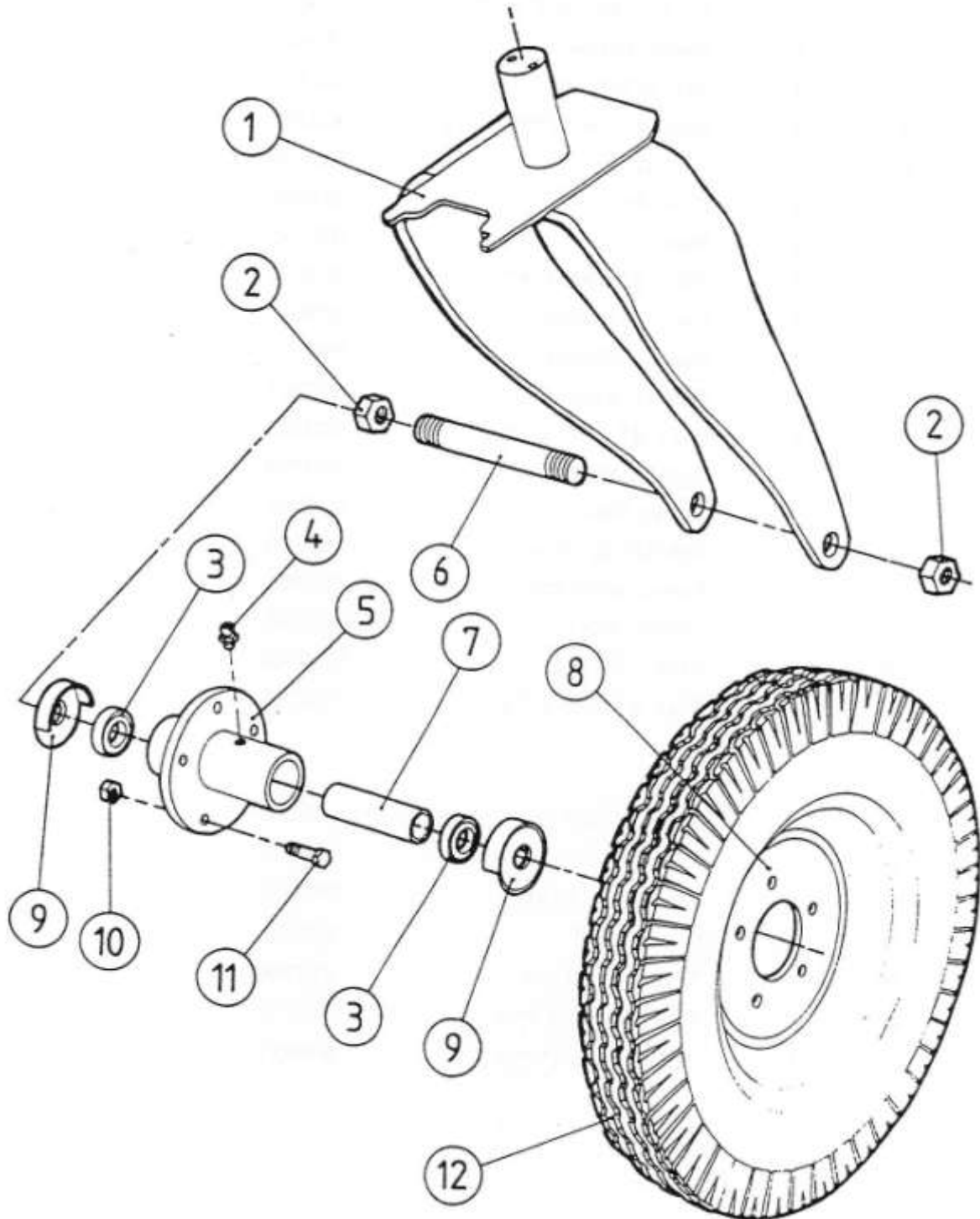
DP1 HEAVY DUTY WHEEL BEAM



DP1 HEAVY DUTY WHEEL BEAM

<u>ITEM</u> <u>NO</u>	<u>QTY</u>	<u>DESCRIPTION</u>	<u>PART</u>
1	1	Handle	003100
2	1	Bolt 5/16" UNF x 2"	900014
3	1	Depth Screw	080000
4	1	Nut 5/16" UNF	900102
5	1	Spring Pin 5/16" x 1 1/2"	900282
6	1	'R' Clip	900521
7	1	Slew Pin	008500
8	2	Bush	900345
9	2	Bolt 1/2" UNF x 3/4"	900031
10	1	Yoke Retainer	008600
11	3	Grease Nipple	900431
12	1	Thrust Washer	900361
13	2	Bolt 3/8" UNF x 3/4"	900022
14	2	Spring Washer	900193
15	1	Slide Shaft	002800
16	1	Retaining Boss	002200
17	1	Location Plate	002900
18	1	Linch Pin	900526
19	1	Slide Bracket	1019900
20	2	Bolt 1/2" UNF x 2 1/2"	900038
22	1	Bolt 3/8" UNF x 2"	900026
23	1	Pivot Pin	009300
24	1	Retaining Plate	003800
25	4	Nut 1/2" UNF	900105
26	1	Swinging Pivot	253700
27	1	Self Locking Nut	900115
28	1	Bolt 1/2" x 3/4" UNF	900031

DP1 HEAVY DUTY WHEEL & YOKE



DP1 HEAVY DUTY WHEEL & YOKE

<u>ITEM</u> <u>NO</u>	<u>QTY</u>	<u>DESCRIPTION</u>	<u>PART</u>
1	1	Wheel Yoke	081100
2	2	Self Locking Nut	900112
3	2	Ball Bearing	900322
4	1	Grease Nipple	900431
5	1	Wheel Hub	089100
6	1	Axle Shaft	027100
7	1	Spacer Tube	027200
8	1	Wheel Arm	900586
9	2	Dirt Seal	199900
10	5	Locking Wheel Nut	900493
11	5	Bolt 3/8" UNF x 1 1/2"	900042
12	1	Tyre 7.00 – 16	900567
-	1	Inner Tube	900631
-	-	Wheel Assy (Items 8 & 12)	088800
-	-	Hub Assy (Items 2, 6, 9, 3) (5, 7, and 4)	106000

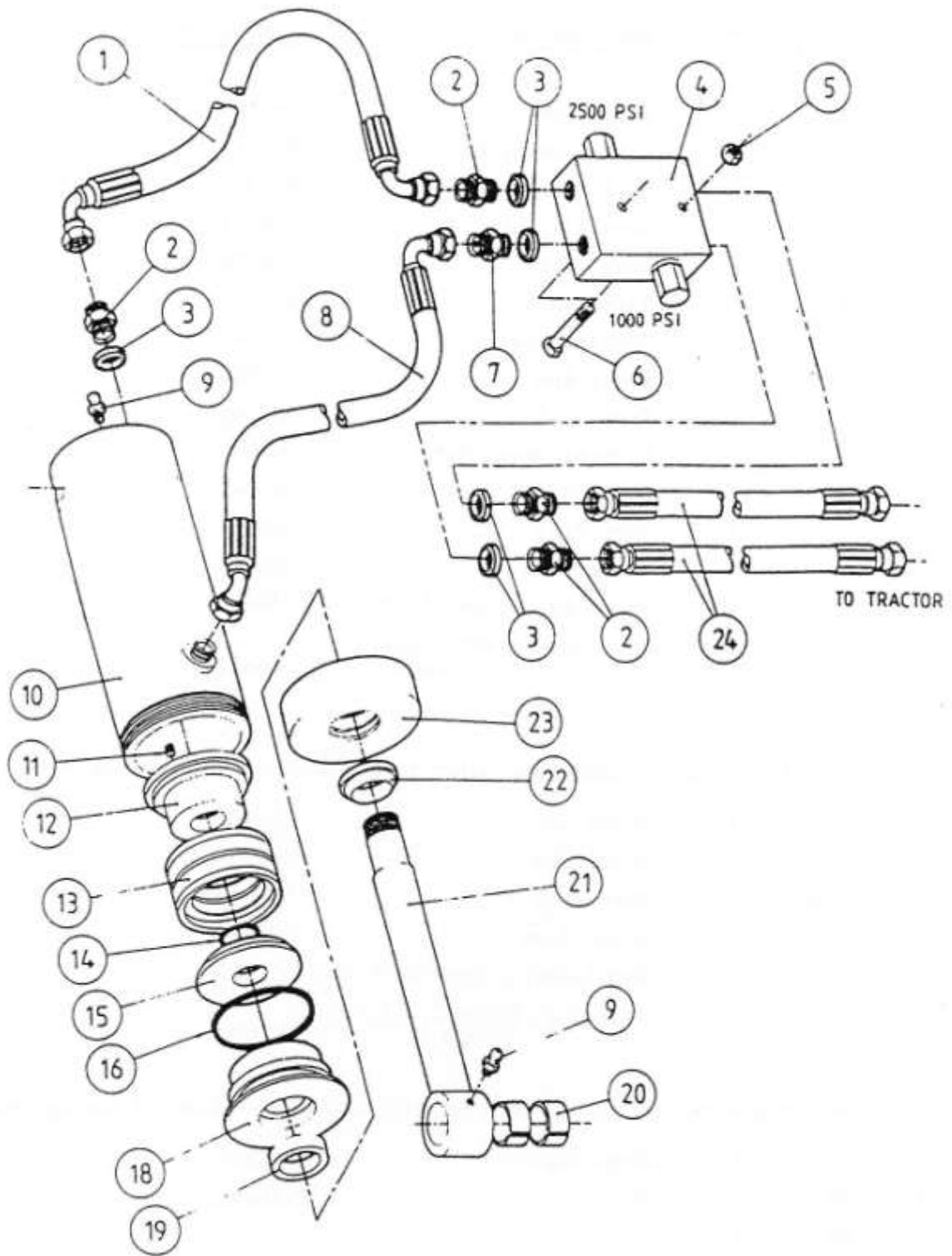
The following alternatives refer to the optional Heavy Duty Wheel:

5a	1	Wheel Hub	026900
8a	1	Wheel Rim	900584
12a	1	Tyre 9.00 – 16	900563
-	1	Inner Tube	900579
-	-	Wheel Assy (Items 8a & 12a)	056300
-	-	Hub Assy (Items 2, 6, 9, 3, 5a) (7 and 4)	037000

The following alternatives refer to the obsolete 6.00 – 16 Dunlop Wheel :-

1a	1	Wheel Yoke	008700
5b	1	Wheel Hub	032600
6a	1	Axle Shaft	008900
7a	1	Spacer Tube	009200

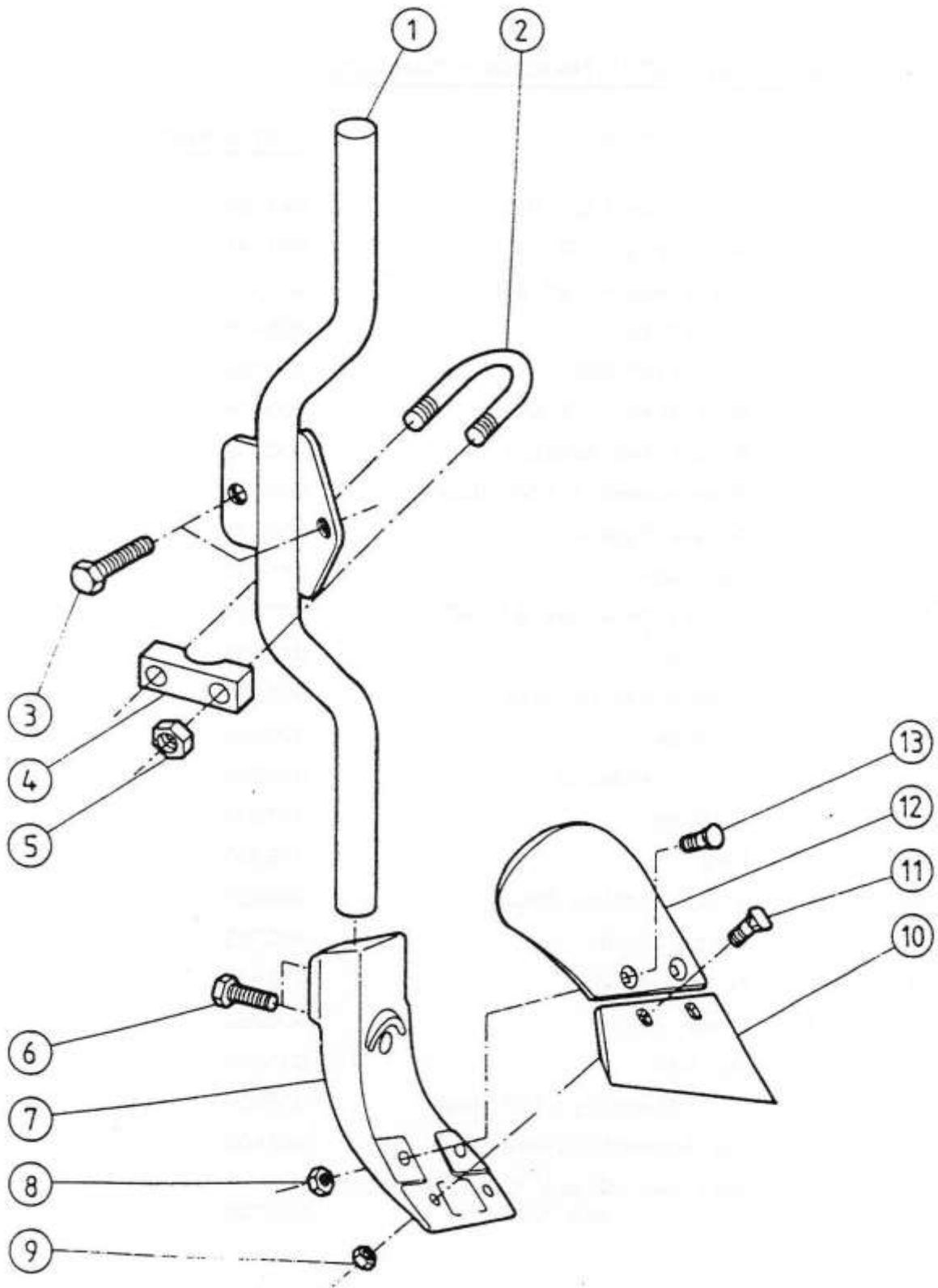
DP1 HEAVY DUTY TURNOVER HYDRAULICS



DP1 HEAVY DUTY TURNOVER HYDRAULICS

<u>ITEM</u>	<u>QTY</u>	<u>DESCRIPTION</u>	<u>PART</u>
<u>NO</u>			
1	1	Hose Assy (32" Hose)	042100
2	4	Adaptor 3/8" BSP	900391
3	5	Dowty Washer 3/8" BSP	900301
4	1	Relief Valve	088600
5	2	Nut 5/16" UNF	900102
6	2	Bolt 5/16" UNF x 2"	900014
7	1	Restricted Adaptor	900907
8	1	Hose Assembly (32" Hose)	008300
9	2	Grease Nipple	900431
10	1	Ram Tube	015400
11	1	Socket Setscrew 3/4" UNF	900151
12	1	Piston	015700
13	1	Double Acting Seal	900242
14	1	'O' Ring	900202
15	1	Piston Annulus	015600
16	1	'O' Ring	900204
18	1	Plug	015300
19	1	Single Acting Seal	900222
20	2	Tension Bush	900372
21	1	Piston Rod	018600
22	1	Wiper Seal	900262
23	1	End Camp	015200
24	2	Hose Assembly (42" Hose)	008400
-	-	Ram Assembly (Items 13, 14, 16, 19 and 22.)	052700

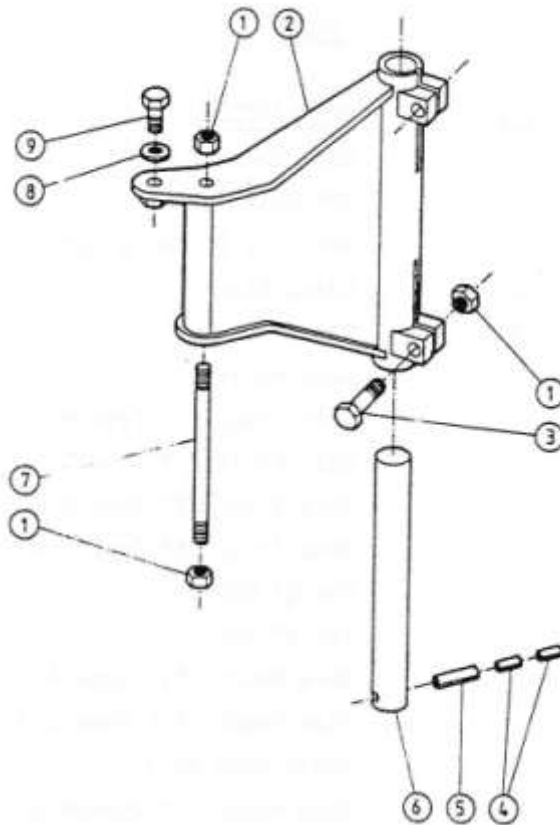
DP1 HEAVY DUTY SKIM



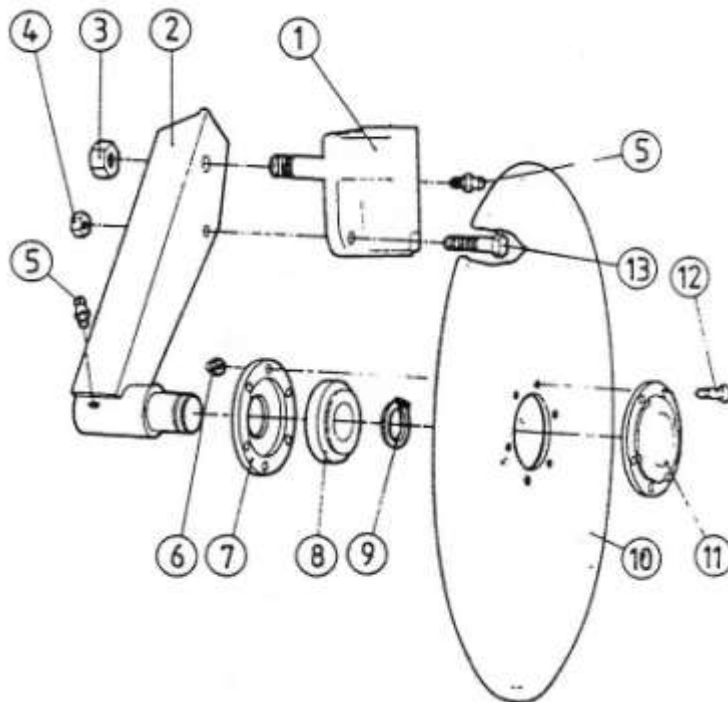
DP1 HEAVY DUTY SKIM

<u>ITEM</u> <u>NO</u>	<u>QTY</u>	<u>DESCRIPTION</u>	<u>PART</u>
1	1	Skim Shank	054000
2	2	'U' Bolt	010700
3	2	Setscrew 5/8" UNC x 2 1/2"	900996
4	2	Clamp Block	010800
5	4	Nut 5/8" UNC	900496
6	4	Lock Screw	062700
7	1	Skim Frog ('J' Type) R.H.	048298
-	1	Skim Frog ('J' Type) L.H.	048299
7a	-	Skim Frog ('K' Type) R.H.	191398
-	-	Skim Frog ('K' Type) L.H.	191399
8	4	Nut 3/8" UNF	900103
9	4	Nut 3/8" UNC	900498
10	1	Skim Point ('J' Type) R.H.	048098
-	1	Skim Point ('J' Type) L.H.	048099
11	4	Taper Head Bolt	900810
12	1	Skim Wing ('J' Type) R.H.	048198
-	1	Skim Wing ('J' Type) L.H.	048199
13	4	Countersunk Square Bolt	900141

DP1 HEAVY DUTY DISC BRACKET



DP1 HEAVY DUTY DISC ASSEMBLY



DP1 HEAVY DUTY DISC BRACKET

<u>ITEM NO</u>	<u>QTY</u>	<u>DESCRIPTION</u>	<u>PART</u>
1	4	Nut 5/8 UNF	900106
2	1	Disc Bracket	004800
3	2	Bolt 5/8" UNF x 2 1/2"	90043
4	4	Spring Pin 6mm Dia x 30mm	900541
5	2	Spring Pin 10mm Dia x 60mm	90054 2
6	2	Stalk	013500
-	-	Stalk 30" Underbeam	188600
7	1	Stud 5/8" UNF x 7 5/8"	900501
8	1	Plain Washer 5/8"	900172
9	1	Bolt 5/8" UNF x 1 1/4"	900048

DP1 HEAVY DUTY DISC ASSEMBLY

<u>ITEM NO</u>	<u>QTY</u>	<u>DESCRIPTION</u>	<u>PART</u>
1	1	Disc Arm Swivel R.H.	013498
-	1	Disc Arm Swivel L.H.	013499
2	As req.	Disc Arm 18" R.H.	052998
-	As req.	Disc Arm 18" L.H.	052999
2a	As req.	Disc Arm 20" R.H.	063698
-	As req.	Disc Arm 20" L.H.	063699
3	1	Nut 3/4" UNF	900107
4	1	Nut 1/2" UNF	900105
5	2	Grease Nipple	900431
6	6	Self Locking Nut 5/16" UNF	900114
7	1	Bearing Housing (Inner)	055000
8	1	Ball Bearing	900324
9	1	Circlip	900601
10	As req.	Disc 18" Plain	052800
10a	As req.	Disc 20" Plain	053000
10b	As req.	Disc 18" Cutaway	063800
10c	As req.	Disc 20" Cutaway	051400
11	1	Bearing Housing (Outer)	054900
12	6	Bolt 5/16" UNF x 1 1/8"	900013
13	1	Shear Bolt	900483
Disc Assemblies (Comprising Items 2, 6, 7, 8, 9, 10, 11, 12.)			
-	-	18" Plain R.H.	063998
-	-	18" Plain L.H.	063999
-	-	20" Plain R.H.	081898
-	-	20" Plain L.H.	081899
-	-	18" Cutaway R.H.	081998
-	-	18" Cutaway L.H.	081999
-	-	20" Cutaway R.H.	082098
-	-	20" Cutaway L.H.	082099