

This parts book covers

220 Series

DELTA  ***FURRA***

MA

This parts book is at issue 1096
For further copies please order no. 902356

Please note. To help the stores staff identify your plough when ordering parts, it is advised that you fill in the name plate below from the information supplied on the serial number plate attached to the headstock of the machine.

Dowdeswell
Engineering Co. Ltd.
Blue Lias Works, Stockton
Nr. Rugby, Warwickshire. CV23 8LD
Made In England

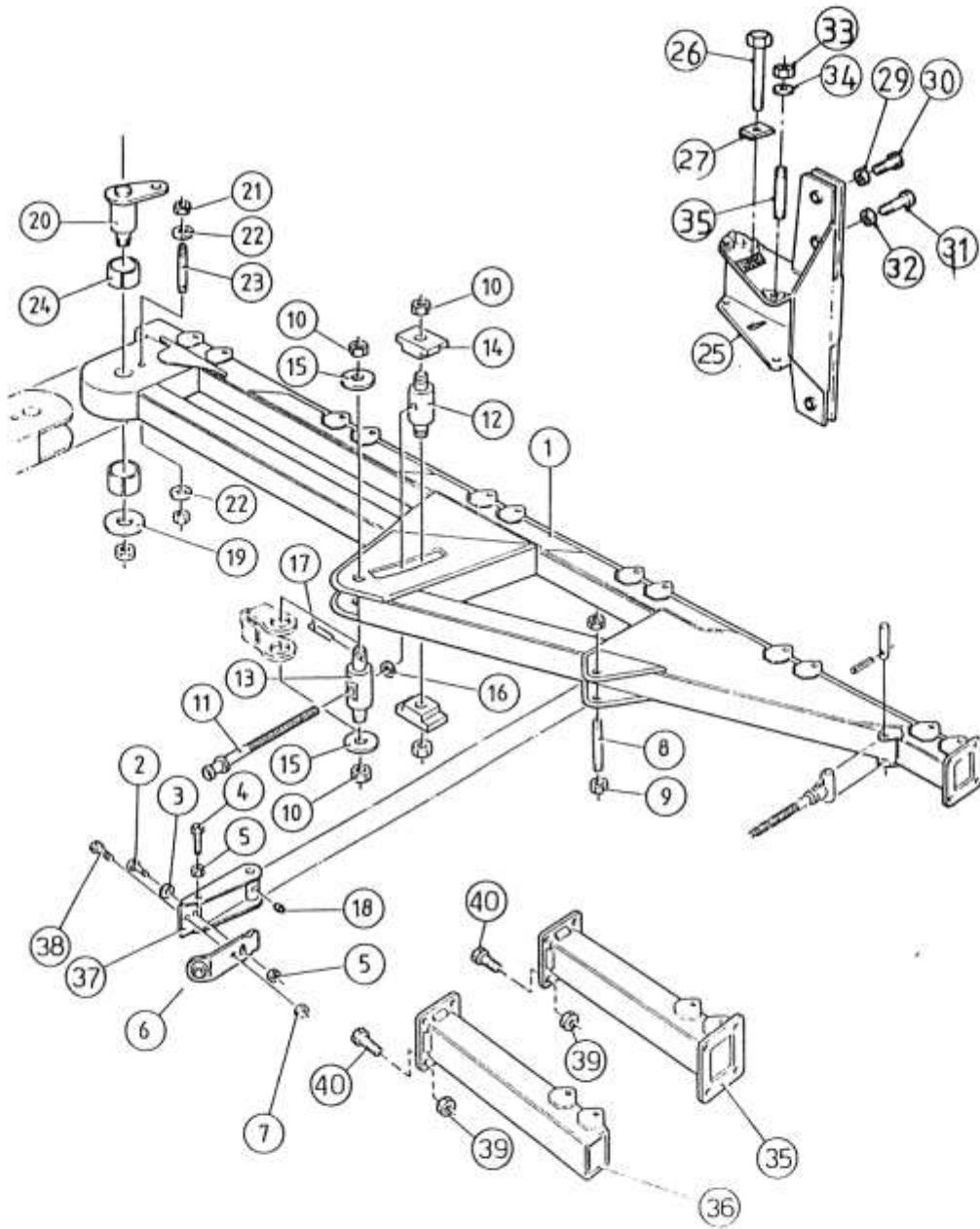
Mod. Year:

CE No.

CONTENTS

<u>PAGE N°</u>	<u>TITLE</u>
2	Identification plate
3	Contents
4	Main Beam
8	'A' Frame
10	Turnover Box
12	Turnover Hydraulics
14	Front Pivot Assembly
18	Hydraulic Wheel Beam
20	Depth Control Hydraulics
22	Single Wheel Yoke
24	Twin Wheel Axel
26	Wheel Assembly
28	Single Wheel Steering Assembly
30	Skim Assembly
32	Disc Assembly
34	Body Parts
36	Mouldboard & Shin
38	Landside & Subsoiler
40	YCN Body Parts
44	DD Body Parts
46	Trashboard Assemblies
48	Leg Shear Bolts

220 SERIES MAIN BEAM



220 SERIES MAIN BEAM

<u>ITEM</u>	<u>PART N°</u>	<u>DESCRIPTION</u>	<u>QTY.</u>
1	1129900	39'' 8F Single Offset Main Beam	As Req
1a	1140100	44'' 7F Single Offset Main Beam	As Req
1b	1142400	39'' 8F Double Offset Main Beam	As Req
1c	1143200	39'' 6F Single Offset Main Beam	As Req
1d	1144700	39'' 8F Standard Offset Main Beam	As Req
2	900043	Bolt 5/8'' UNF x2 1/2''	1
3	900172	Plain Washer 5/8''	1
4	900084	Setscrew 5/8'' UNF 2 1/2''	2
5	900106	Nut 5/8'' UNF	3
6	068800	Ball Joint	1
7	900106	Self Locking Nut 3/4'' UNF	1
8	900515	Stud	1
9	900113	Self Locking Nut 1 1/4'' UNF	2
10	900128	Nyloc Nut 1 1/2'' BSF	5
11	1130400	Adjuster Screw	1
12	1130500	Sliding Pin	1
13	1130600	Holding Pin	1
14	1130800	Slider Plates	2
15	1141100	Ø100mm Washer	2

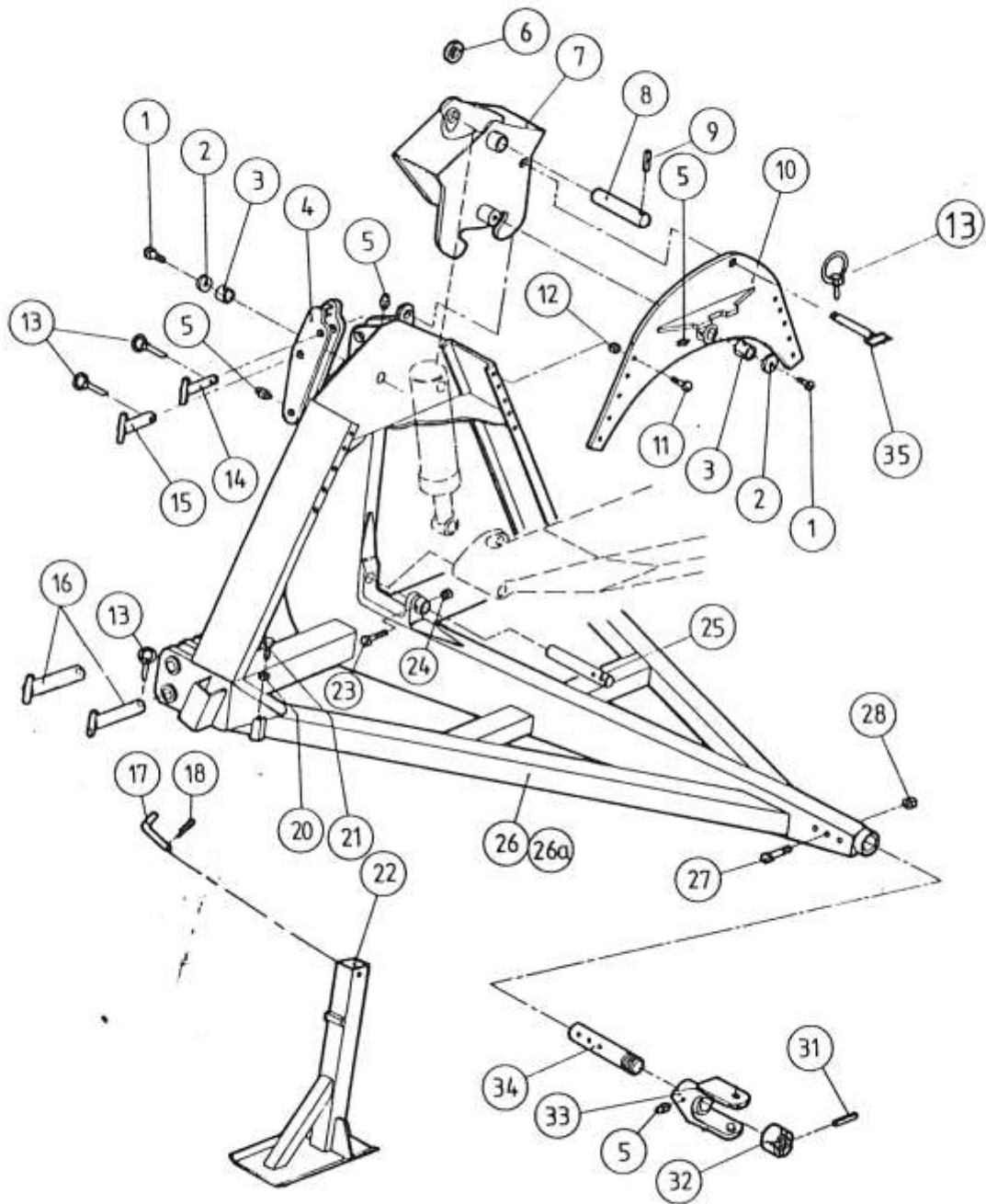
220 SERIES MAIN BEAM

(CONTINUED FROM PAGE 5)

16	165601	Collar	1
17	900542	Ø10 Roll Pin x 60mm	1
18	900431	Grease Nipple	3
19	1141000	Ø140 Washer	1
20	1232600	Main Pivot Pin	1
21	900786	Nyloc M24 Nut	2
22	900184	Washer	2
23	902004	Clamping Stud	1
24	902204	Plain Bearing	2
25	1109600	Leg Bracket 39''	As Req
25a	1136400	Leg Bracket 44''	As Req
26	902252	Special Bolt M20 X 255mm	1*
27	1022700	Serrated Washer	2*
28	901125	M20 x 250 Bolt	1*
29	900496	Nut 5/8'' UNC	2*
30	900481	Shearbolt	2*
31	900063	Bolt 1'' UNF x 3 1/4''	2*
32	900109	Nut 1'' UNF	2*
33	900786	Nyloc Nut M24	2*
34	901610	Washer Ø24	2*
35	902004	Stud Ø24 x 260	1*
36	1130000	Extension Beam 39'' Double Flange	As Req
36a	1140800	Extension Beam 44'' Double Flange	As Req
37	1130100	Extension Beam 39'' Single Flange	As Req
37a	1140700	Extension Beam 44'' Single Flange	As Req
38	900053	Bolt 3/4'' UNF x 2 1/2''	1
39	046000	Wheel Arm 24 1/2'' CRS	As Req
39a	046100	Wheel Arm 26 1/2'' CRS	As Req
39b	046200	Wheel Arm 29'' CRS	As Req
39c	046300	Wheel Arm 31'' CRS	As Req

*THESE ITEMS ARE PER FURROW

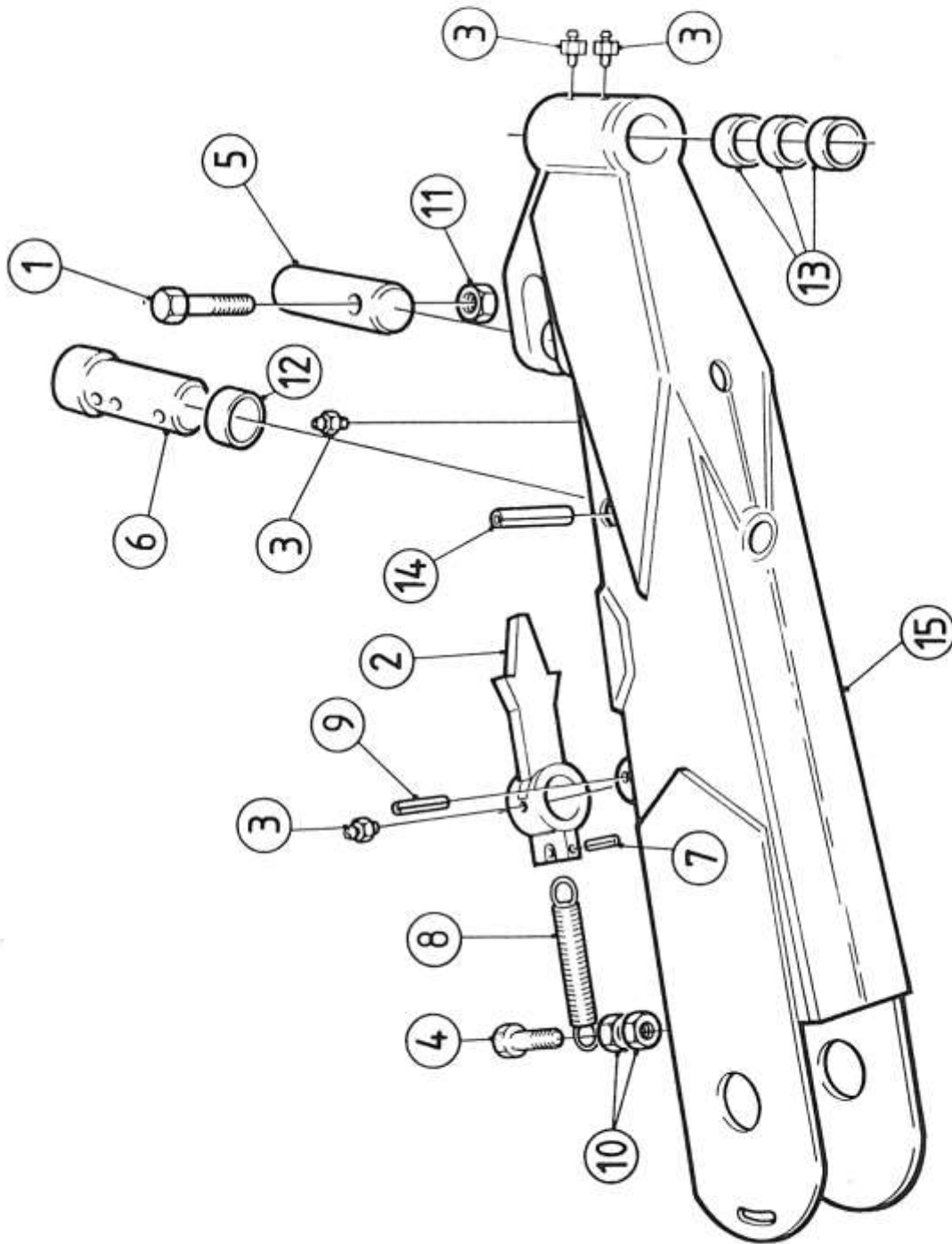
220 SERIES A-FRAME



220 SERIES A-FRAME

<u>ITEM</u>	<u>PART N°</u>	<u>DESCRTIPTION</u>	<u>QTY.</u>
1	900041	Bolt 5/8'' UNF x 1''	2
2	900179	Washer	2
3	900355	Plain Bearing	2
4	166500	Clapper	1
5	900431	Grease Nipple	5
6	293000	Locking Pin	1
7	165600	Rocker Box	1
8	165800	Top Ram Pin	1
9	900542	Spring Pin Ø10 x 60mm	1
10	166600	Backplate	1
11	900034	Bolt 1/2'' UNF x 1 1/2''	10
12	900105	Nut 1/2'' UNF	10
13	900527	Linch Pin	As Req
14	022800	Clapper Pin	1
15	011900	Top Link Pin	1
16	085900	Lower Link Pin Cat 3	4
17	086700	Retaining Peg	2
18	900521	'R' Clip	3
19	293800	Locking pin	1
20	900109	Nut 1'' UNF	2*
20a	900787	Nut M30 Nyloc	2
21	900082	Setscrew 1'' UNF x 4''	2*
21a	902301	Setscrew M30 x 130	2
22	1172300	Support Leg	2
23	900039	Bolt 1/2'' UNF x 4 1/2''	1
24	900105	Nut 1/2'' UNF	1
25	165700	Pivot pin	1
26	166400	'A' Frame	1
27	900060	Bolt 3/4'' UNF x 6	3
28	900107	Nyloc Nut 3/4'' UNF	3
29	1140000	Pulling Pin	1
30	1130300	Spade Handle	1
31	900290	Spring Pin	1
32	1139900	Pulling Pin Nut	1

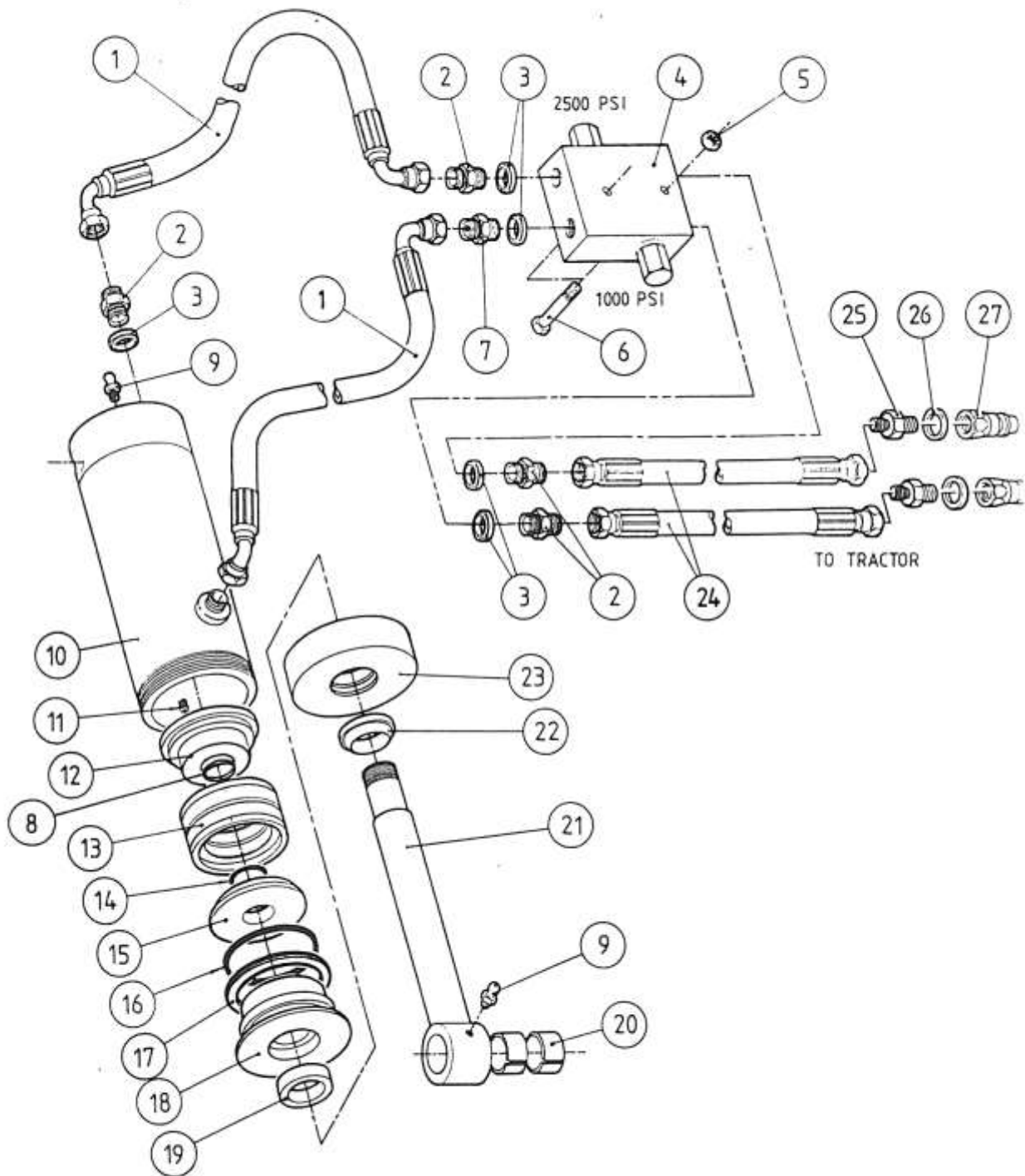
220 SERIES TURNOVER BOX



220 SERIES TURNOVER BOX

<u>ITEM</u>	<u>QTY</u>	<u>DESCRIPTION</u>	<u>PART N°</u>
1	1	Bolt 1/2" UNF x 4 1/2"	900039
2	1	Swinging Latch	090100
3	5	Grease Nipple	900431
4	1	Bolt 1/4" UNF x 4 1/4"	900004
5	1	Bottom Ram Pin	162500
6	1	Roller Pin	077300
7	1	Spring Pin 3/16" x 3/4"	900281
8	1	Spring	900464
9	1	Spring Pin 5/16" x 2"	900292
10	2	Nut 1/4" UNF	900101
11	1	Self Locking Nut 1/2" UNF	900118
12	1	Roller	143800
13	3	Bush	900379
14	1	Spring Pin 3/8" X 3"	900288
15	1	Turnover Box	1140900

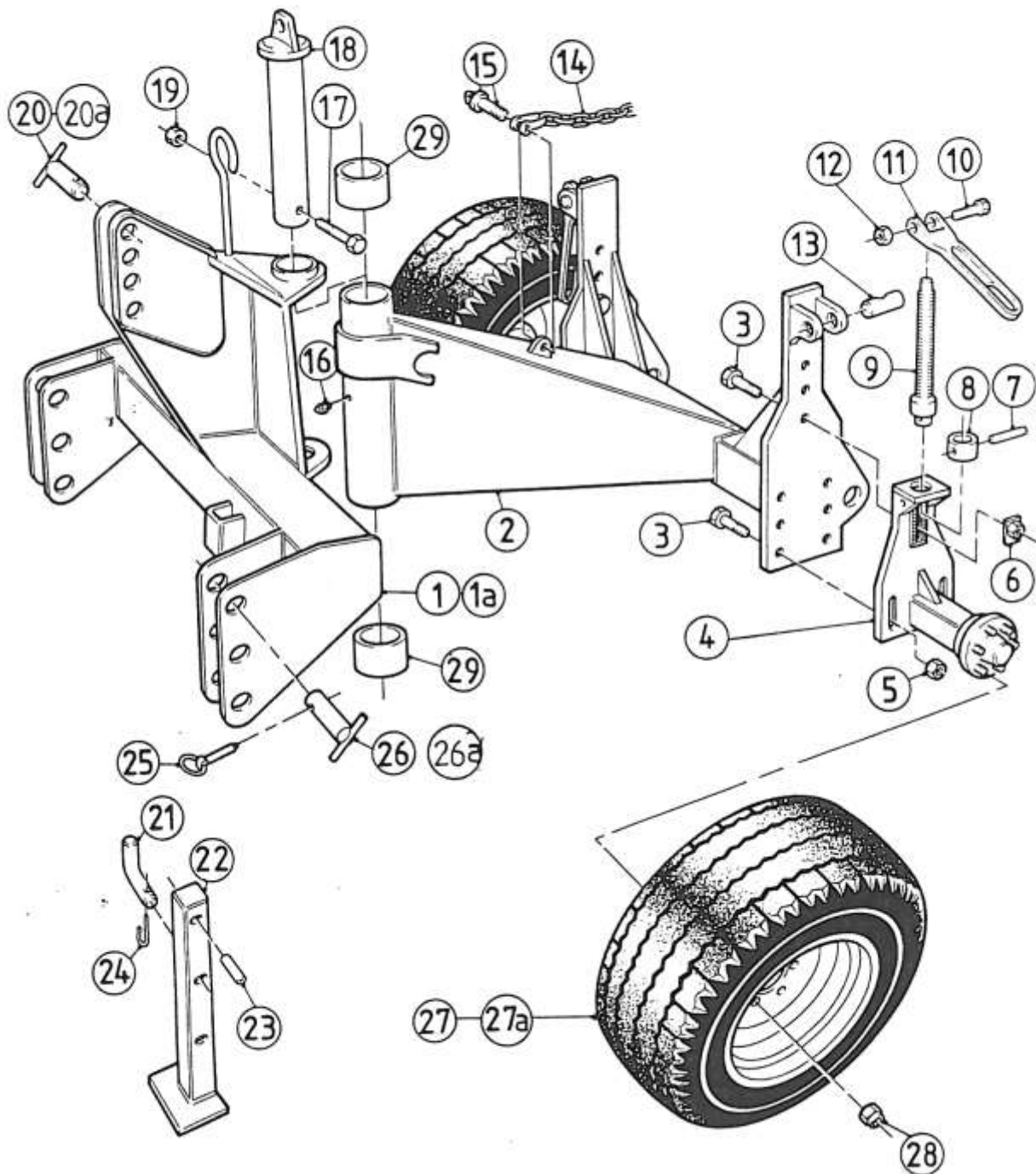
TURNOVER HYDRAULICS



220 SERIES TURNOVER HYDRAULICS

<u>ITEM</u>	<u>PART N°</u>	<u>AFTER</u>	<u>DESCRIPTION</u>	<u>QTY</u>
	Pre 1/12/96	1/12/96		
1	159700		Hose Assembly (32")	2
2	900391		Adapter 3/8" BSP	4
3	900301		Dowty Washer 3/8" BSP x 0.08	5
4	088600		Relief Valve	1
5	900102		Nut 5/16" UNF	1
6	900014		Bolt 5/16" UNF x 2"	2
7	900907		Restricted Adapter	1
8	900806		PTFE Backup Ring	1
9	900431		Grease Nipple	2
10	166100		Ram Tube	1
11	900151		Socket Setscrew 1/4" UNF	1
12	127600	1304300	Piston	1
13	900245		Double Acting Seal	1
14	900202		'O' Ring	1
15	127700	1304200	Piston Annulus	1
16	900202	900215	'O' Ring	1
17	900804		Back Up Ring	1
18	128100		Plug	1
19	900222		Single Active Seal	1
20	900374		Tension Bush	1
21	162600	1304100	Piston Rod	1
22	900262		Wiper Seal	1
23	127800		End Cap	1
24	008400		Hose Assembly (52" Hose)	2
25	900392		Adapter 3/8" M to 1/2" M	2
26	900302		Dowty Washer 1/2"	2
27	900611		Male Quick Coupler	2
-	127400	1306402	Ram Seal Set (Items 13,14,16,17,19,22,28)	-
-	166000		Ram Assembly (Items 8-23 Incl & Item 28)	-

FRONT PIVOT ASSEMBLY



220 SERIES FRONT PIVOT ASSEMBLY

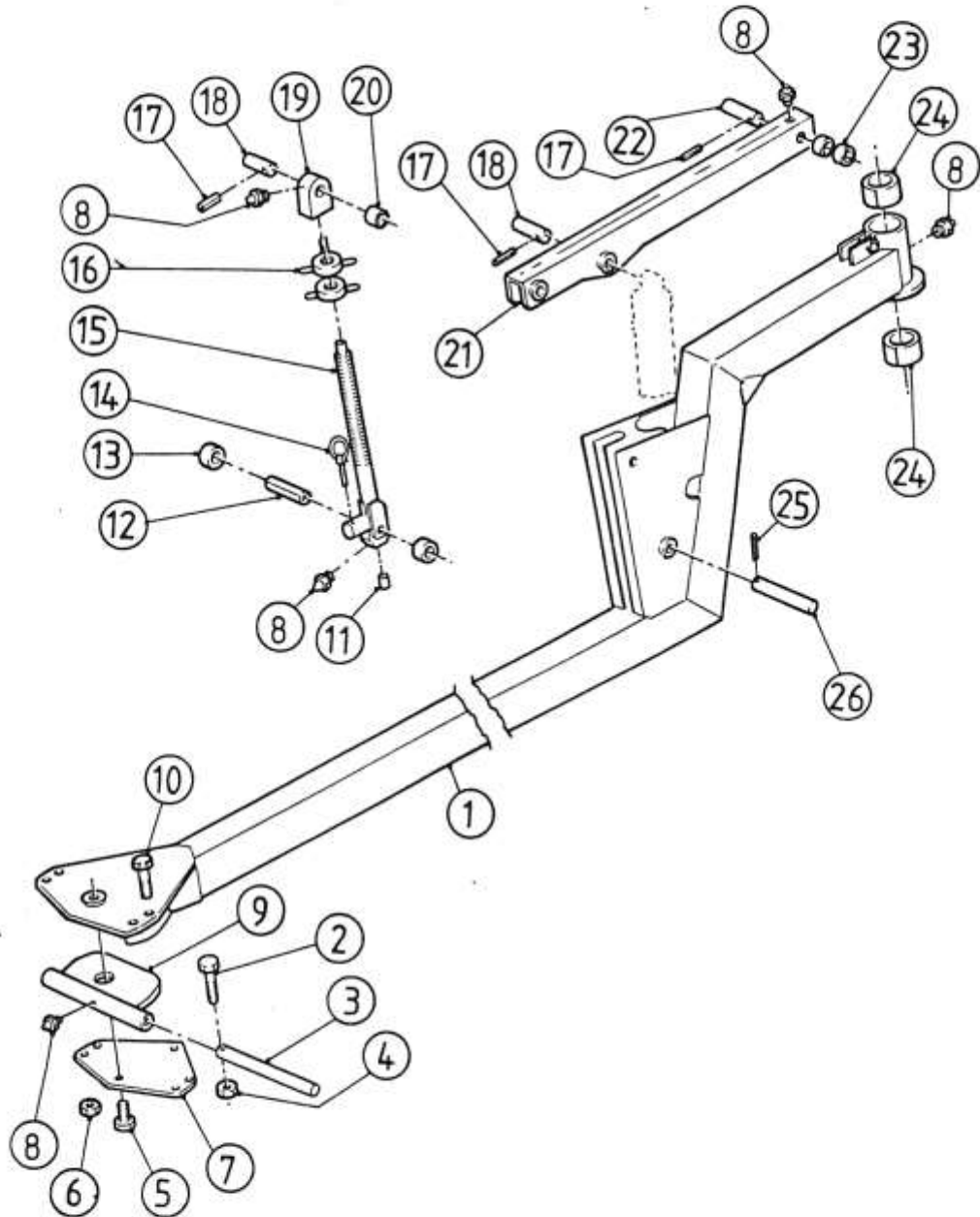
<u>ITEM</u>	<u>PART N°</u>	<u>DESCRIPTION</u>	<u>QTY</u>
1	1087100	Front Swivel Cat 3	1
1a	1145300	Front Swivel Cat 4	-
2	1145200	Front Pivot	1
3	901110	Bolt M20 x 75	6
4	1145500	Depth Control Bracket	2
5	900785	Self Locking Nut M20	4
6	1131900	Combined Nut & Washer	2
7	900286	Spring Pin Ø3/8" x 2	2
8	093008	Collar	2
9	1151200	Depth Adjuster Screw	2
10	900027	Bolt 3/8" UNF x 2 1/2"	2
11	1156300	Handel	2
12	900115	Self Locking Nut 3/8" UNF	2
13	1153400	Adjuster Pivot	2
14	901439	Chain	1
15	901403	'D' Shackle	1
16	900431	Grease Nipple 1/4" UNF	3
17	901051	Bolt M10 x 140	1

220 SERIES FRONT PIVOT ASSEMBLY

(CONTINUED FROM PAGE 15)

18	1087300	Pivot pin	1
19	900782	Self Locking Nut M10	1
20	011900	Top Link Pin Cat 3	1
20a	1173600	Top Link Pin Cat 4	1
21	012500	Retaining Peg	1
22	1098800	Front Stand	1
23	900545	Spring Pin Ø8 x 90	1
24	900521	'R' Clip	1
25	900527	Linch Pin	5
26	085900	Bottom Link Pin Cat 3	4
26a	1144800	Bottom Link Pin Cat 4	-
27	064700	Wheel Assembly 15/55-17	2
28	900499	Wheel Nut ¾" UNF	12
-	900585	Wheel Rim (13/17)	-
-	900566	Tyre (15/55-17)	-
29	900353	Bush	2
Optional	10/75-15 wheel parts;		
4a	1199800	Depth Control Bracket	2
27a	088900	Wheel Assembly (10/75-15)	2
28a	900499	Wheel Nut ¾" UNF	10
-	900587	Wheel Rim (9/15)	-
-	900568	Tyre (10/75-15)	-

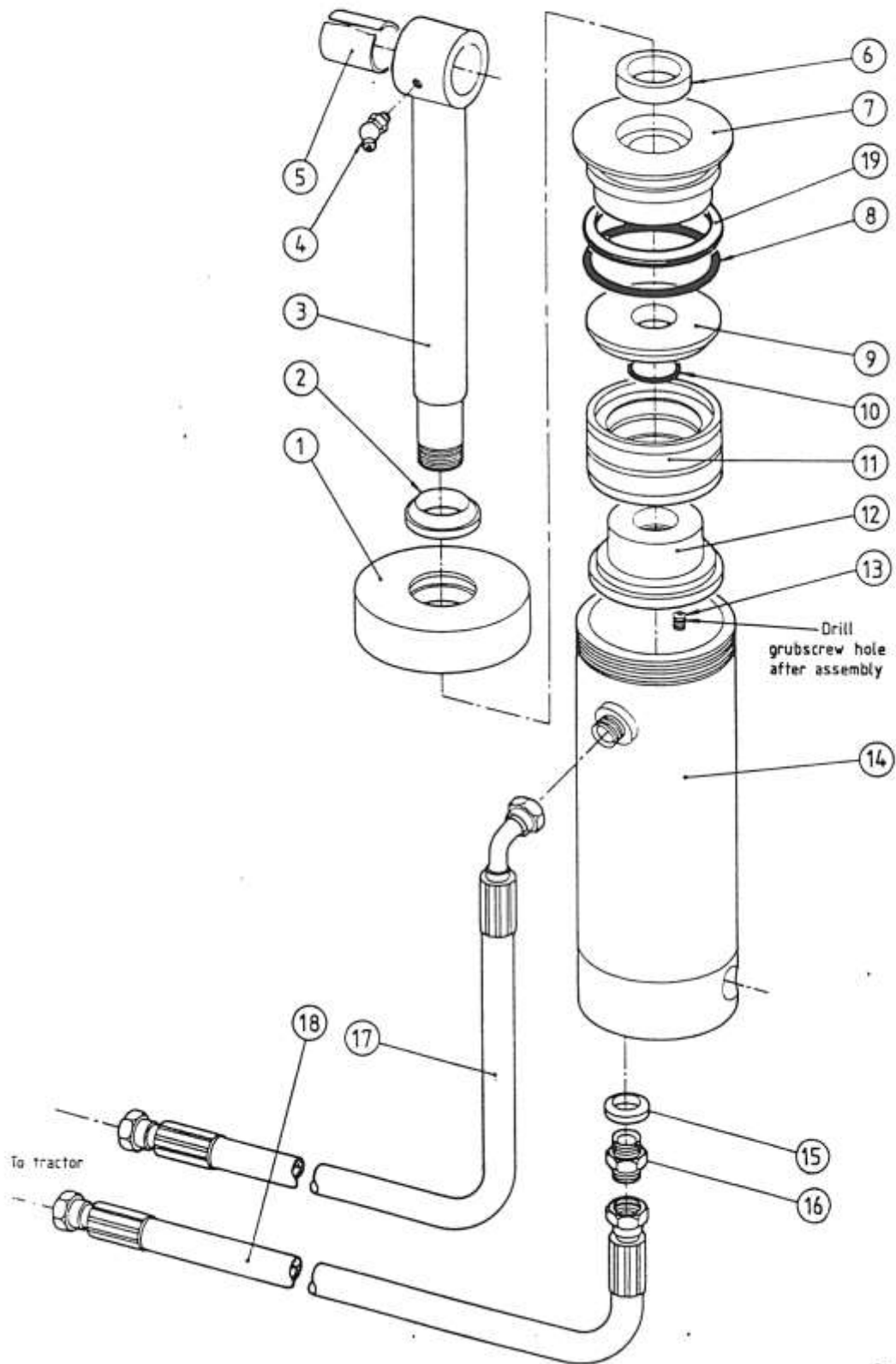
220 SERIES HYDRAULIC WHEEL BEAM



220 SERIES HYDRAULIC WHEEL BEAM

<u>ITEM</u>	<u>QTY</u>	<u>DESCRIPTION</u>	<u>PART N°</u>
1	1	Wheel Beam	-----
2	1	Bolt 3/8" UNF x 2 1/2"	900027
3	1	Pivot Pin	166300
4	1	Self Locking Nut 3/8" UNF	900115
5	1	Bolt 5/8" UNF X 1"	900041
6	5	Nyloc Nut 5/8" UNF	900116
7	1	Keep Plate	026100
8	5	Grease Nipple	900431
9	1	Swinging Pivot	166200
10	5	Bolt 5/8" UNF x 3"	900044
11	2	Socket Setscrew 1/4" UNF	900151
12	1	Roller Shaft	068100
13	2	Roller	067900
14	1	Linch Pin	900527
15	1	Adjuster Shaft	068000
16	2	Adjuster Nut	068200
17	3	Spring Pin 3/8" x 2"	900286
18	2	Pin	085100
19	1	Swivel Block	069500
20	1	Tension Bush	900373
21	1	Lift Arm	068700
22	1	Pin	079100
23	2	Tension Bush	900373
24	2	Plain Bearing	900352
25	1	Spring Pin	900282
26	1	Pin	068400

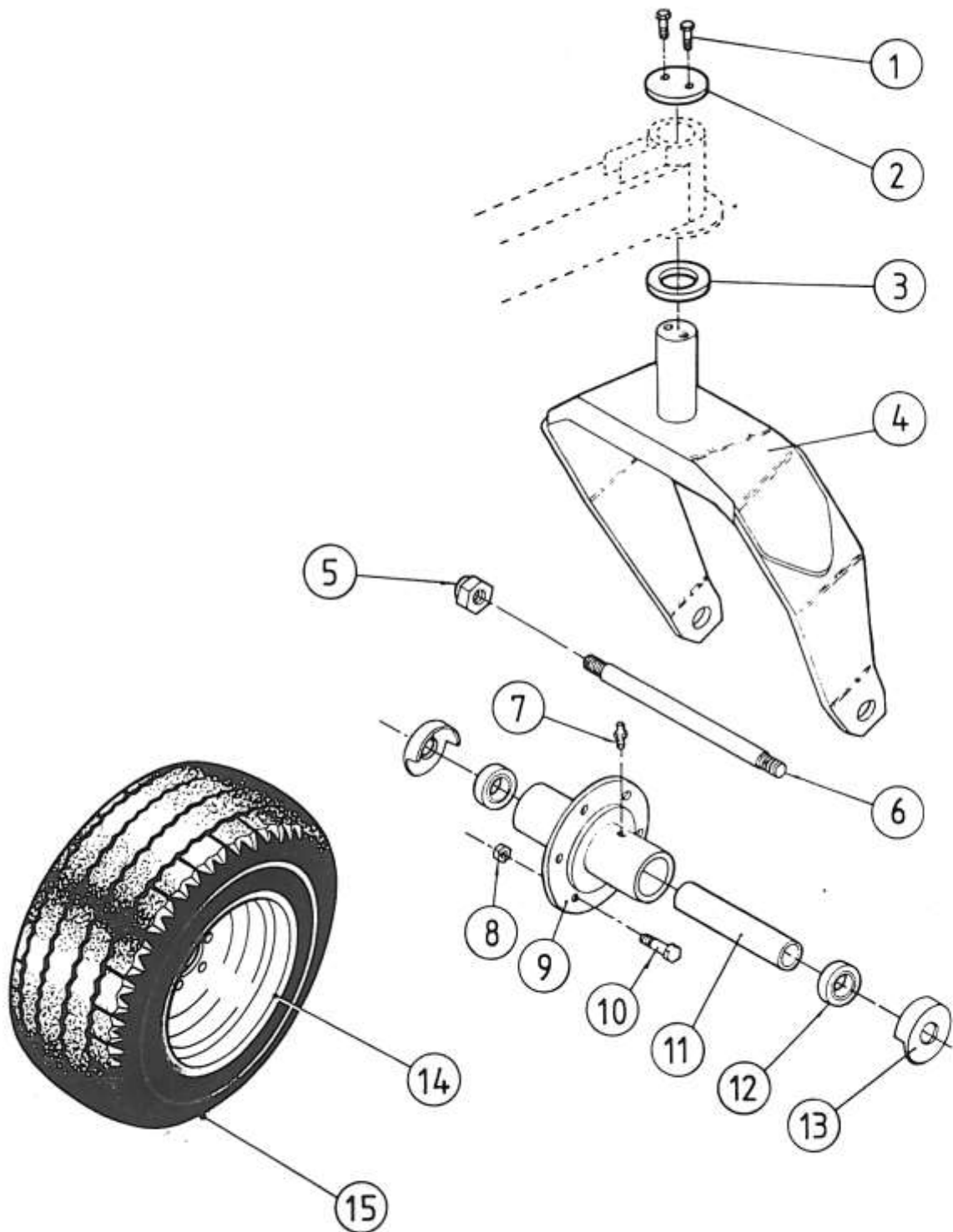
220 SERIES DEPTH CONTROL HYDRAULICS



220 SERIES DEPTH CONTROL HYDRAULICS

<u>ITEM</u>	<u>PART N°</u>	<u>DESCRIPTION</u>	<u>QTY</u>
1	006600	End Cap	1
2	900261	Wiper Seal	1
3	018700	Piston Rod	1
4	900433	Grease Nipple	2
5	900373	Tension Bush	1
6	900221	Single Acting Seal	1
7	006500	Plug	1
8	900203	'O' Ring	1
9	006400	Piston annulus	1
10	900201	'O' Ring	1
11	900241	Double Acting Seal	1
12	006300	Piston	1
13	900151	Socket Screwset	1
14	006800	Ram Tube	1
15	900301	Dowty Washer 3/8" BSP	1
16	900391	Adapter 3/8" BSP	1
17	-----	Hose Assembly To Suit Beam	1
18	-----	Hose Assembly To Suit Beam	1
19	900801	Back Up Ring	1
N/S	900611	Male Quick Coupler	2
N/S	900302	Dowty Washer 1/2" BSP	2
N/S	900392	Adapter 3/8" M To 1/2" M	2
-	052500	Ram Seal Set (Items 2,6,8,10,11)	As Req
-	005900	Ram Assembly (Items 1-14 Incl)	As Req

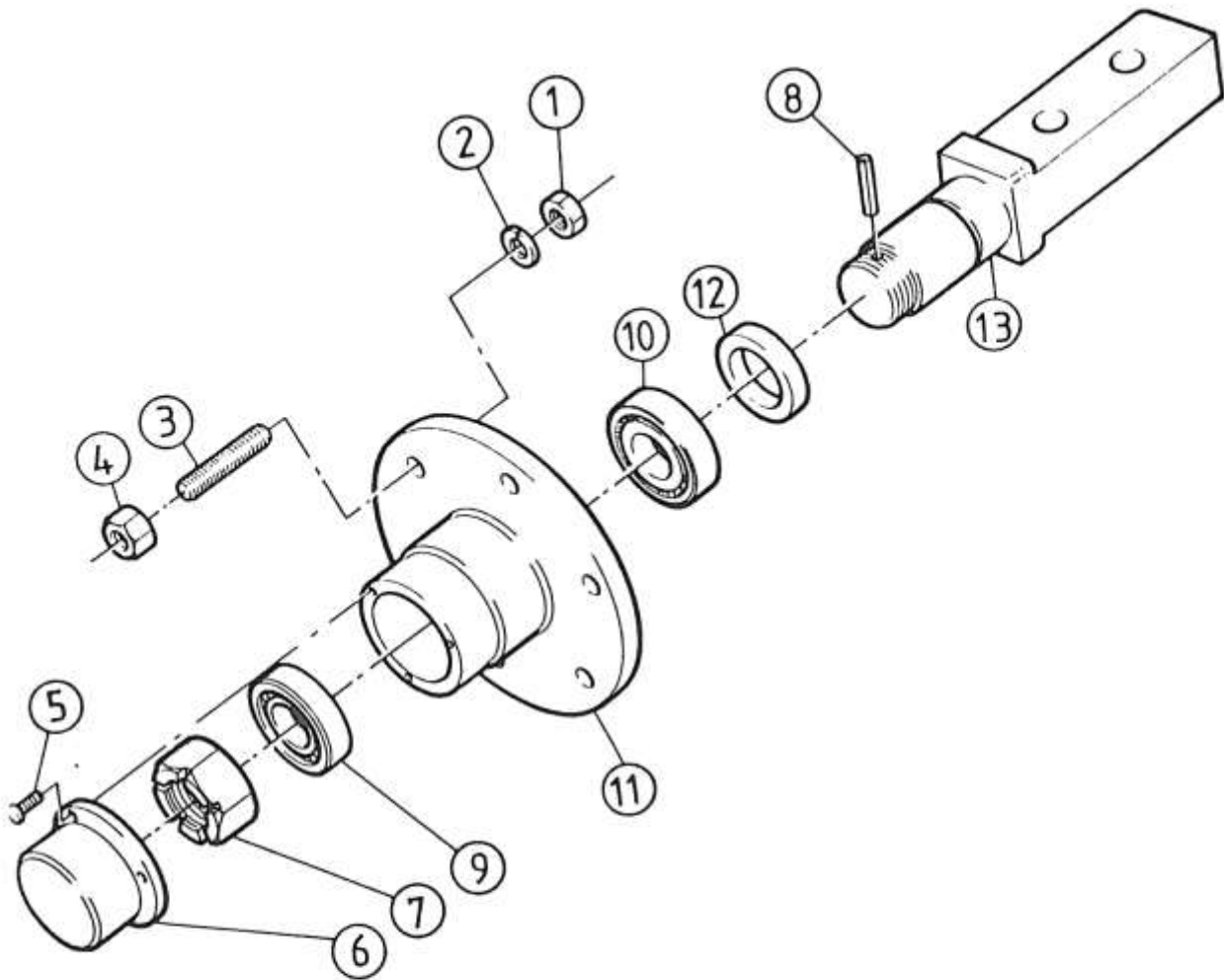
220 SERIES SINGLE WHEEL YOKE



220 SERIES SINGLE WHEEL YOKE

<u>ITEM</u>	<u>PART N°</u>	<u>DESCRIPTION</u>	<u>QTY</u>
1	900031	Bolt ½” UNF x ¾”	2
2	026800	Yoke Retainer	1
3	060800	Thrust Washer	2
4	064300	Yoke	1
5	900112	Self Locking Nut 1” UNF	2
6	064600	Axel Shaft	1
7	900431	Grease Nipple	1
8	900494	Wheel Nut ¾” UNF	6
9	064400	Hub	1
10	900053	Bolt ¾” UNF x 2 ½”	6
11	064500	Spacer Tube	1
12	900323	Bearing	2
13	067600	Dirt Seal	2
14	900585	Wheel Rim	1
15	900566	Tyre 15.00-17	1
-	090000	Hub Assembly (Items 5,6,7,9,11,12,13)	As Req
-	064700	Wheel Assembly (Items 14,15)	As Req

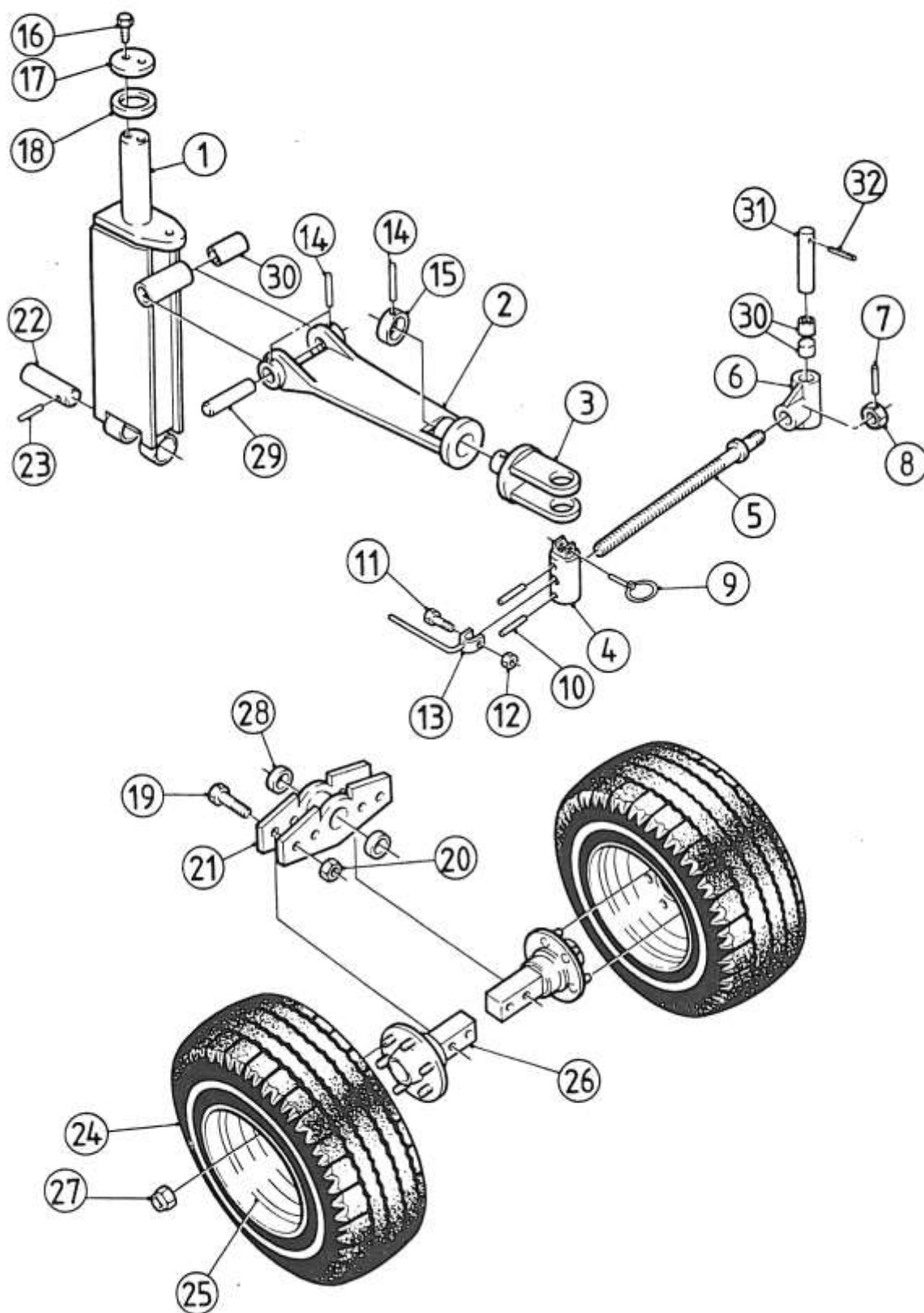
220 SERIES TWIN WHEEL AXLE



220 SERIES TWIN WHEEL AXLE

<u>ITEM</u>	<u>PART N°</u>	<u>DESCRIPTION</u>	<u>QTY</u>
1	277500	Locknut 3/4" UNF	6
2	900197	Spring Washer 3/4"	6
3	277600	Wheel Stud 3/4" UNF	6
4	900494	Wheel Nut 3/4" UNF	6
5	278100	Screw	3
6	278000	Hub Cap	1
7	277800	Axel Nut	1
8	277900	Cotter Pin	1
9	277700	Outer Baring	1
10	278200	Screw	1
11	278300	Hub	1
12	278400	Oil Seal	1
13	1152100	Axel	1
-	1142500	Wheel Hub Assembly	1

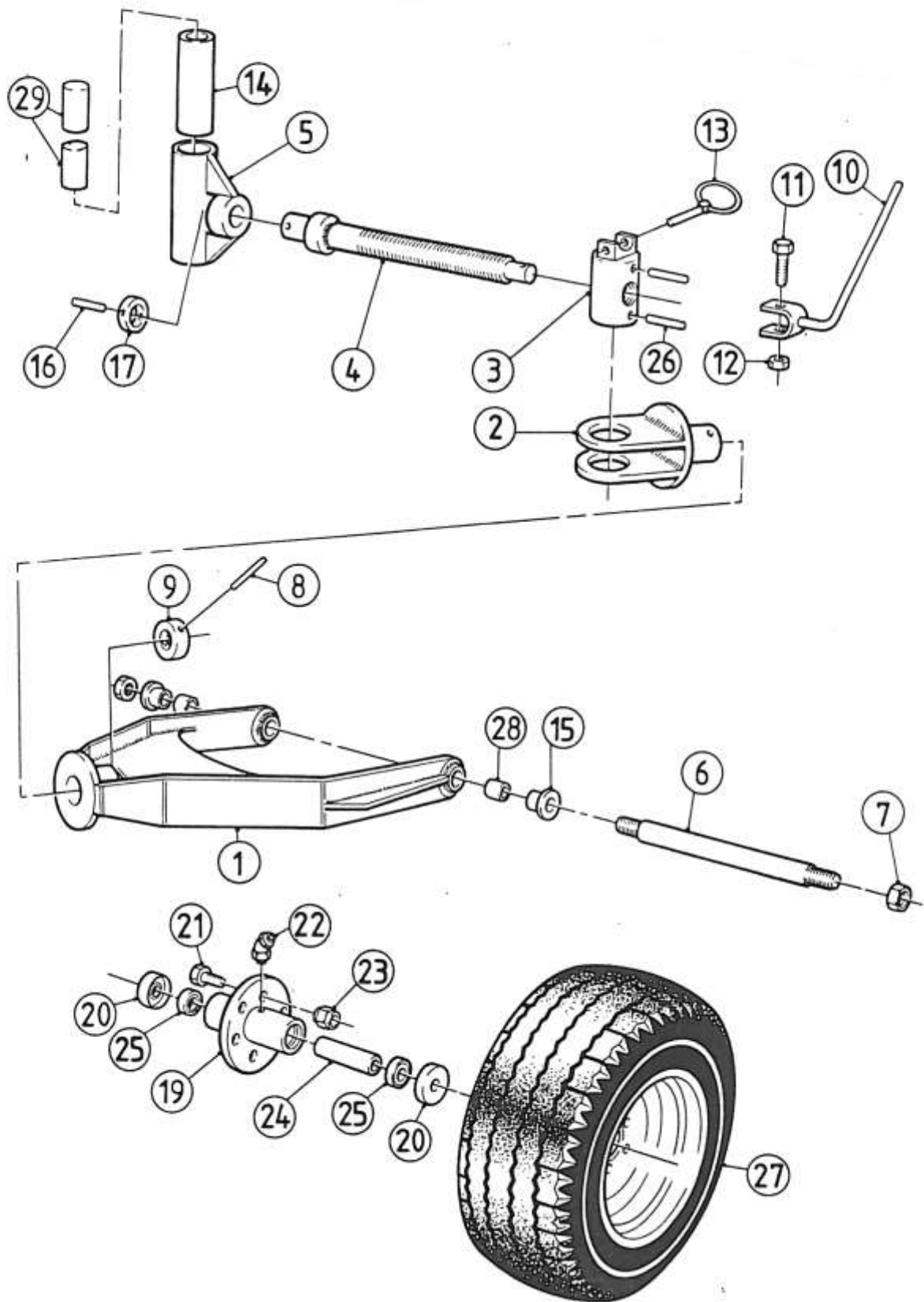
220 SERIES TWIN WHEEL ASSEMBLY



220 SERIES TWIN WHEEL ASSEMBLY

<u>ITEM</u>	<u>PART N°</u>	<u>DESCRIPTION</u>	<u>QTY</u>
1	1142100	Castoring Arm	1
2	1088900	Steering Arm	1
3	1089000	Adjuster Bracket	1
4	1089200	Adjuster Nut	1
5	1146800	Adjuster Screw	1
6	1089100	Pivot Bracket	1
7	900543	Spring Pin	1
8	1089300	Locking Nut	1
9	900527	Linch Pin	1
10	900290	Spring Pin	2
11	901040	Bolt M10 x 55	1
12	900782	Nut M10 Nyloc	1
13	1114700	Adjuster Handle	1
14	900543	Spring Pin	1
15	165601	Collar	1
16	900031	Bolt ½" UNF x ¾"	2
17	026800	Yoke Retainer	1
18	060800	Trust Washer	2
19	900960	Bolt ¾" UNF x 4	4
20	900111	Self Locking Nut ¾" UNF	4
21	081400	Pivoting Axle	1
22	081600	Pivot Pin	1
23	900288	Spring Pin	1
24	900566	Tyre 15.0/55-17	2
25	900585	Wheel Rim 13 x 17	2
26	1142500	Wheel Hub	2
27	900494	Wheel Nut ¾" UNF	12
28	900350	Bush	2
29	295800	Pin	1
-	064700	Wheel Assembly (Items 24&25)	-
30	900347	Bush	2
31	102300	Pin	1
32	900292	Spring Pin Ø5/16" x 2"	1

220SERIES SINGLE WHEEL STEERING ASSEMBLY



220 SERIES SINGLEWHEEL STEERING ASSEMBLY

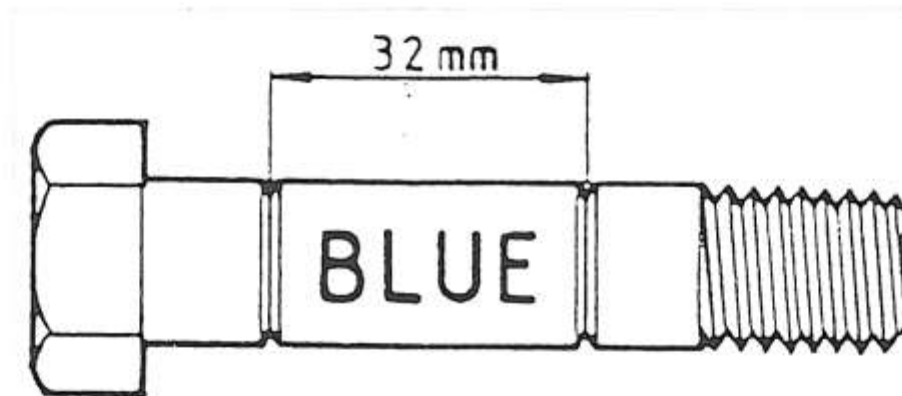
<u>ITEM</u>	<u>PART N°</u>	<u>DESCRIPTION</u>	<u>QTY</u>
1	1089600	Steering Yoke	1
2	1089000	Adjuster Bracket	1
3	1089200	Adjuster nut	1
4	1146800	Adjuster Screw	1
5	1089100	Pivot Bracket	1
6	1089800	Axle	1
7	900112	Nut 1" UNF	2
8	900543	Spring Pin	1
9	165601	Collar	1
10	1114700	Adjuster Handle	1
11	901040	Bolt M10 x 55	1
12	900782	Nut M10 Nyloc	1
13	900527	Linch Pin	1
14	1102300	Pin	1
15	1089700	Spacer Collar	2
16	900548	Spring Pin	1
17	1089300	Lock Nut	1
18	900566	Tyre 15.00-17	1
19	1101000	Hub	1
20	067600	Dirt Seal	2
21	900053	Bolt 3/4" UNF x 2 1/2"	6
22	900431	Grease Nipple	1
23	900494	Nut 3/4"	6
24	064500	Spacer Tube	1
25	900323	Bearing	2
26	900290	Spring Pin	2
27	900585	Wheel Rim	1
28	900348	Bush	2
-	064700	Wheel Assembly (Items 18& 27)	1
-	1177900	Hub Assembly (Items 19-25 Incl.)	1
29	900347	Bush	2

LEG SHEAR BOLTS

To avoid SERIOUS DAMAGE it is essential that the correct shear bolts are fitted.

Usage of incorrect shear bolts can nullify warranty.

To ease identification all leg shear bolts will in future be colour coded.



PART NUMBER - 900481