

Parts
Manual
170 Series
MA

Important Information

Serial Number

It is important to make a note of the serial number and year of manufacture of your machine in the spaces provided below. This information should always be quoted in any correspondence with Dowdeswell Engineering.

When ordering spares for your machine, you should always quote the serial number and year of manufacture either to Dowdeswell's or to your dealer.

Machine Serial Number: _____

Year of manufacture: _____

Warranty

Should defective material or workmanship used in the manufacture give rise to failure, the products, components or sub-assemblies affected, will be replaced free of charge during the period of warranty offered with the machine at the time of purchase. The fitting of non Dowdeswell parts, or repairs, or modifications carried out by unauthorised persons will invalidate the warranty. No work will be carried out without prior consultation with Dowdeswell Engineering Co. Ltd.

Save to the extent covered by the warranty, the company shall not be liable in any circumstances for any loss, injury or expense, whether direct or indirect, which may arise for any reason whatsoever from any defect in or otherwise in connection with any goods supplied or work done by the company.

Replacement Parts

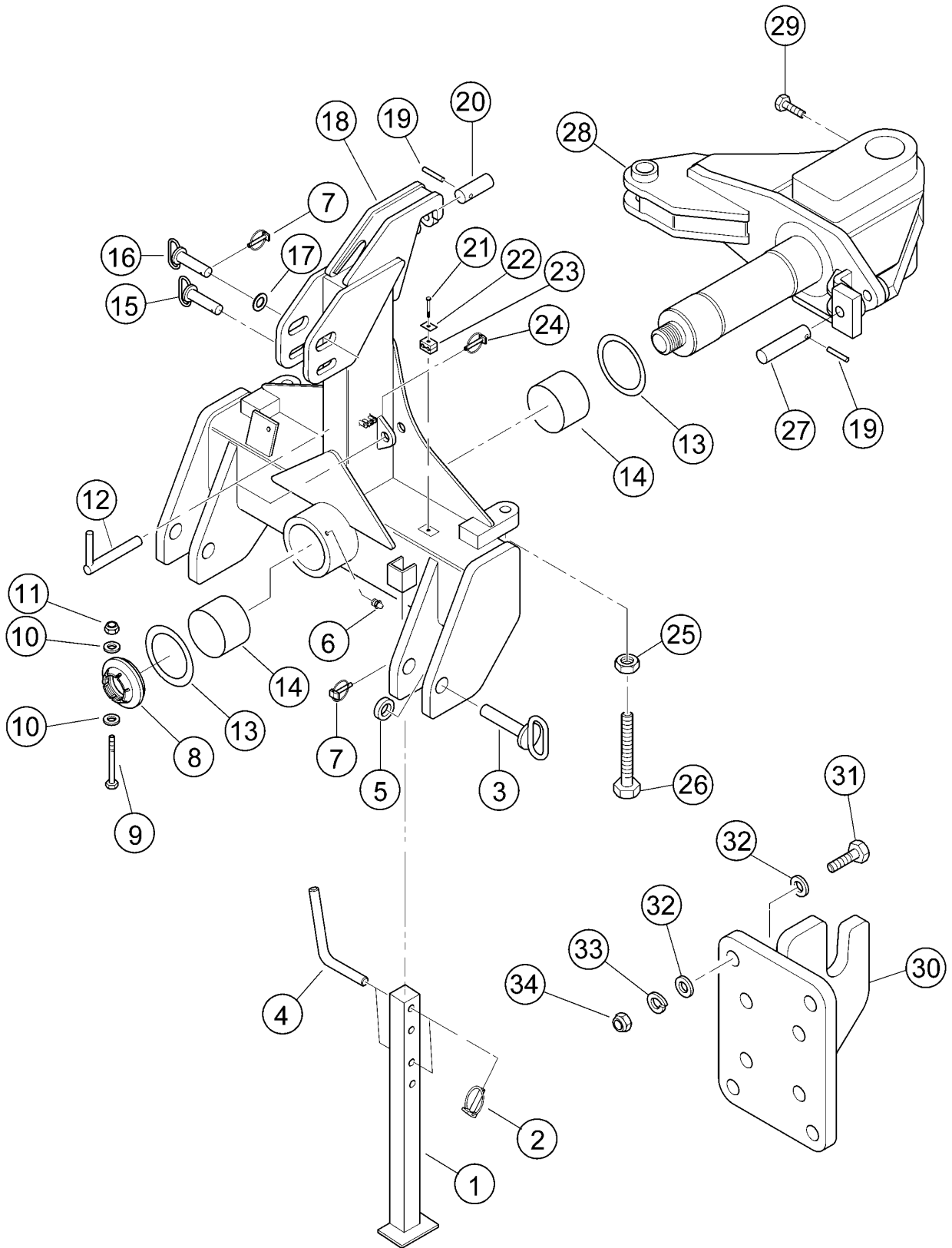
Use only genuine Dowdeswell spares as these replacement parts are designed for your machine to give the best possible performance and also have the full backing of the warranty cover. See the Parts Manual for the part number and description, when ordering spares always quote the machine serial number.

Definitions

Throughout this manual the terms "Front", "Rear", "Left-hand (LH)" and "Right-hand (RH)" will be used and are derived from the tractor drivers normal position facing forward with the plough in its transport position.

The left-hand components are those which move the soil to the left, and the right-hand components are those which move the soil to the right.

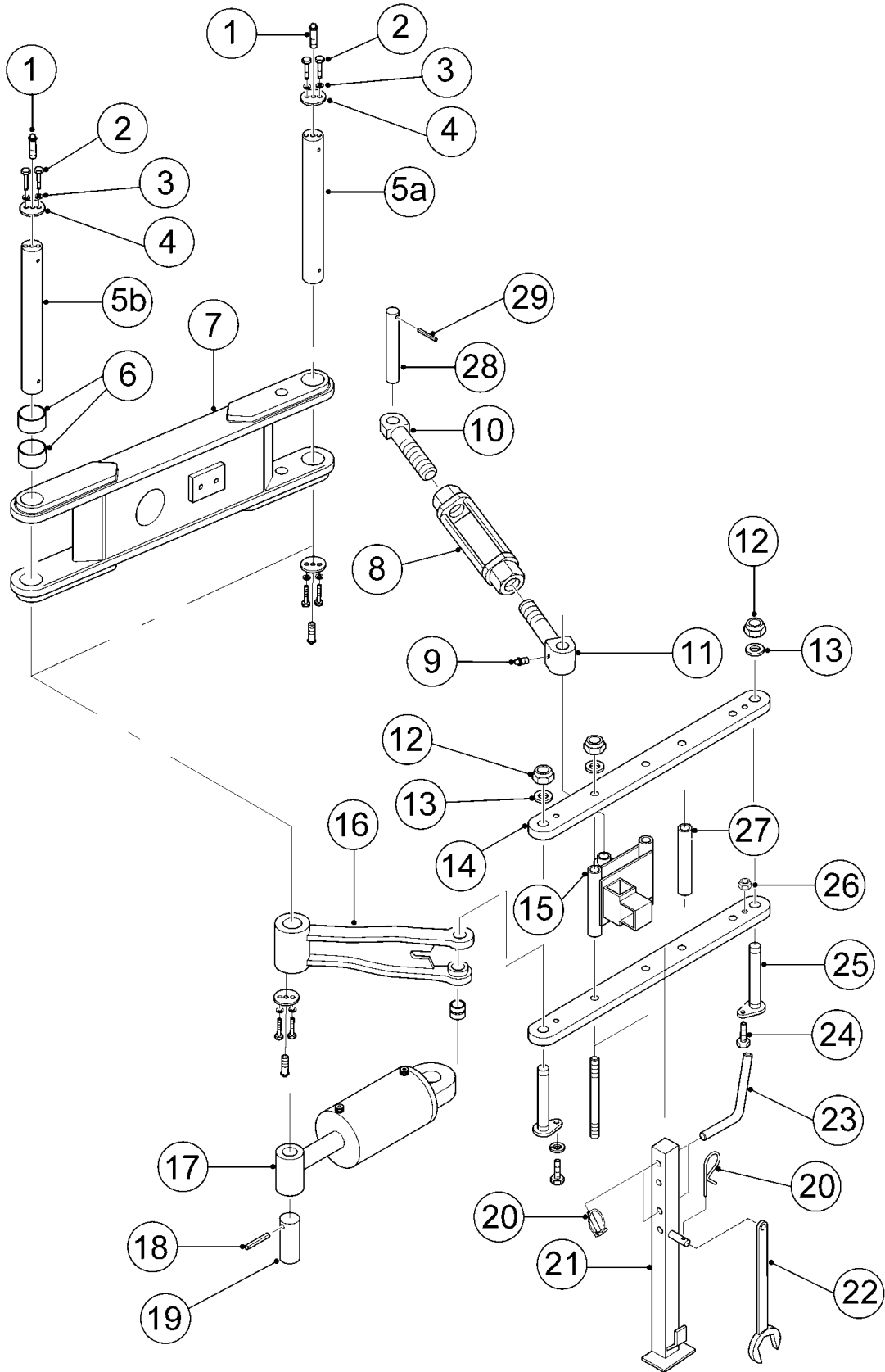
HEADSTOCK ASSEMBLY



HEADSTOCK ASSEMBLY

ITEM	PART N°	DESCRIPTION	QTY
1	1362500	Parking Stand	1
2	900521	'R' Type Grip Clip	2
3a	1539200	Lower Link Pin (Cat 4)	2
3b	1539300	Lower Link Pin (Cat 3)	2
4	1365700	Retaining Peg	2
5	1539100	Lower Link Spacer Sleeve (For Cat 3)	2
6	900431	Grease Nipple	2
7	902450	Linch Pin (Cat 4)	3
7a	900527	Linch Pin (Cat 3)	3
8	1553700	Pulling Nut	1
9	901079	Bolt M12 x 130	1
10	901189	Plain Washer M12	2
11	900783	Self Locking Nut M12	1
12	1552600	Transport Latch	2
13	1556500	Thrust Bearing	2
14	902211	Plain Bearing	2
15	1539500	Top Link Pin (Cat 3)	1
16	1539400	Top Link Pin (Cat 4)	1
17	1538700	Top Link End Washer (Cat 4)	1
17a	900185	Plain Washer 1 1/4" (Cat 3)	1
18	1552300	Headstock	1
19	900542	Spring Pin 10 x 60	2
20	1515400	Top Ram Pin	1
21	901022	Bolt M8 x 35	1
22	901826	Cover Plate	1
23	901802	Hose Clamp (As Half)	2
24	900527	Linch Pin	2
25	902335	Plain Nut 1 1/4" UNC	2
26	900998	Set Screw 1 1/4" UNC x 6"	2
27	1553500	Bottom Ram Pin	1
28	1553400	Turnover Arm	1
29	901332	Set Screw M16 x 45	2
30	1539600	Coupler Hook (Cat 4 Only)	1
31	1589200	Special Bolt 1" UNC (Challenger 800 Only)	4
32	900174	Plain Washer 1" (Challenger 800 Only)	8
33	900199	Spring Washer 1" (Challenger 800 Only)	4
34	900499	Plain Nut 1" UNC (Challenger 800 Only)	4

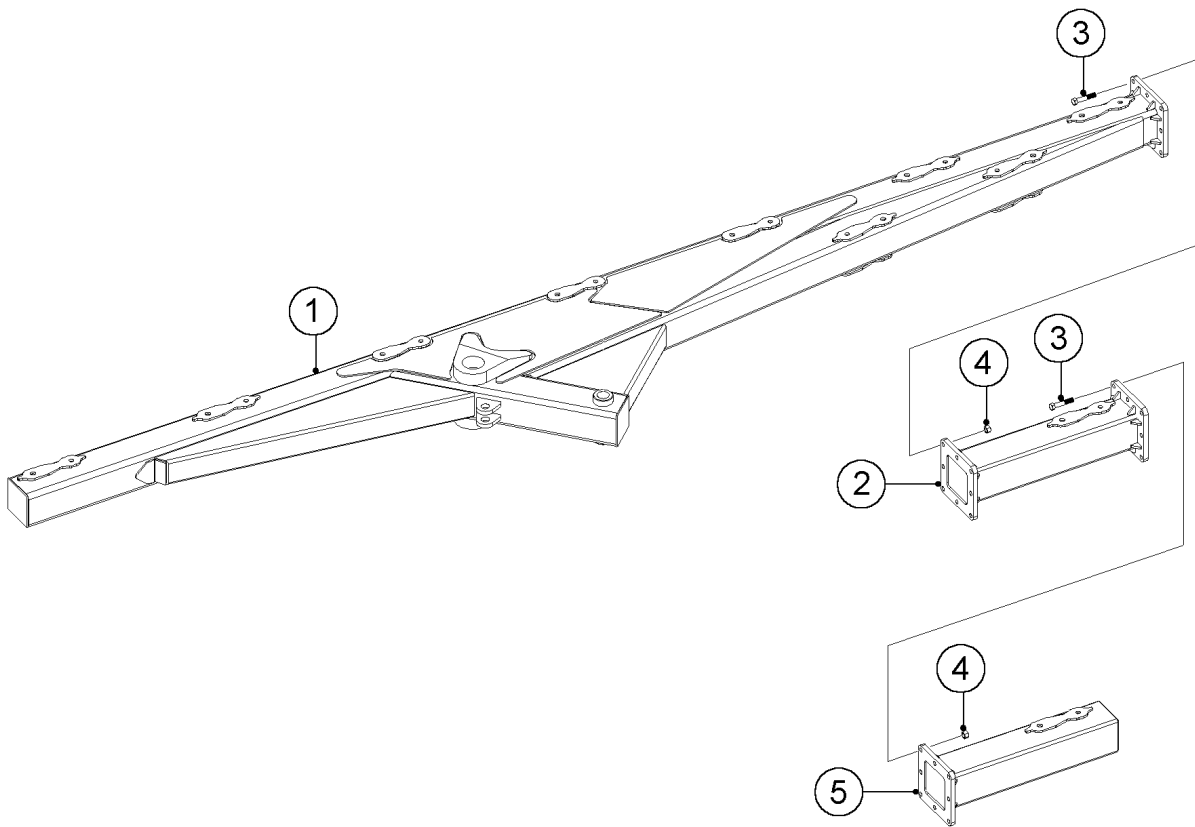
PARALLEL LINK ASSEMBLY



PARALLEL LINK ASSEMBLY

ITEM	PART N°	DESCRIPTION	QTY
1	900431	Grease Nipple	4
2	901330	Setscrew M16 x 35	8
3	901191	Spring Washer M16	8
4	1556200	Retaining plate	4
5a	1556100	Main Link Pin (Rear)	1
5b	1554100	Main Link Pin (Front)	1
6	903155	Bush 115/100 x 60	2
7	1553800	Main Link	1
8	1539700	Turnbuckle Body	1
9	900431	Grease Nipple	2
10	1539900	Turnbuckle Screw (LH)	1
11	1539800	Turnbuckle Screw (RH)	1
12	900787	Self Locking Nut M30	10
13	901608	Plain Washer M30	10
14	1553900	Parallel Link Plate	2
15	1540300	Offset Link & Stand Bracket	1
16	1554000	Cross Link	1
17	-	Alignment Ram Assembly	-
18	900555	Spring Pin 12 x 60	1
19	1556600	Ram Eye Pin	1
20	900521	'R' Type Grip Clip	3
21	1362500	Parking Stand	1
22	1558200	Spanner	1
23	1365700	Retaining Peg	2
24	901085	Bolt M16 x 65	2
25	1554200	Parallel Link Pin	2
26	900784	Self Locking Nut M16	2
27	1540200	Parallel Link Spacer Sleeve	2
28	1099300	Offset Pin	2
29	900542	Spring Pin 10 x 60	2
30	1540100	Parallel Link Stud	4

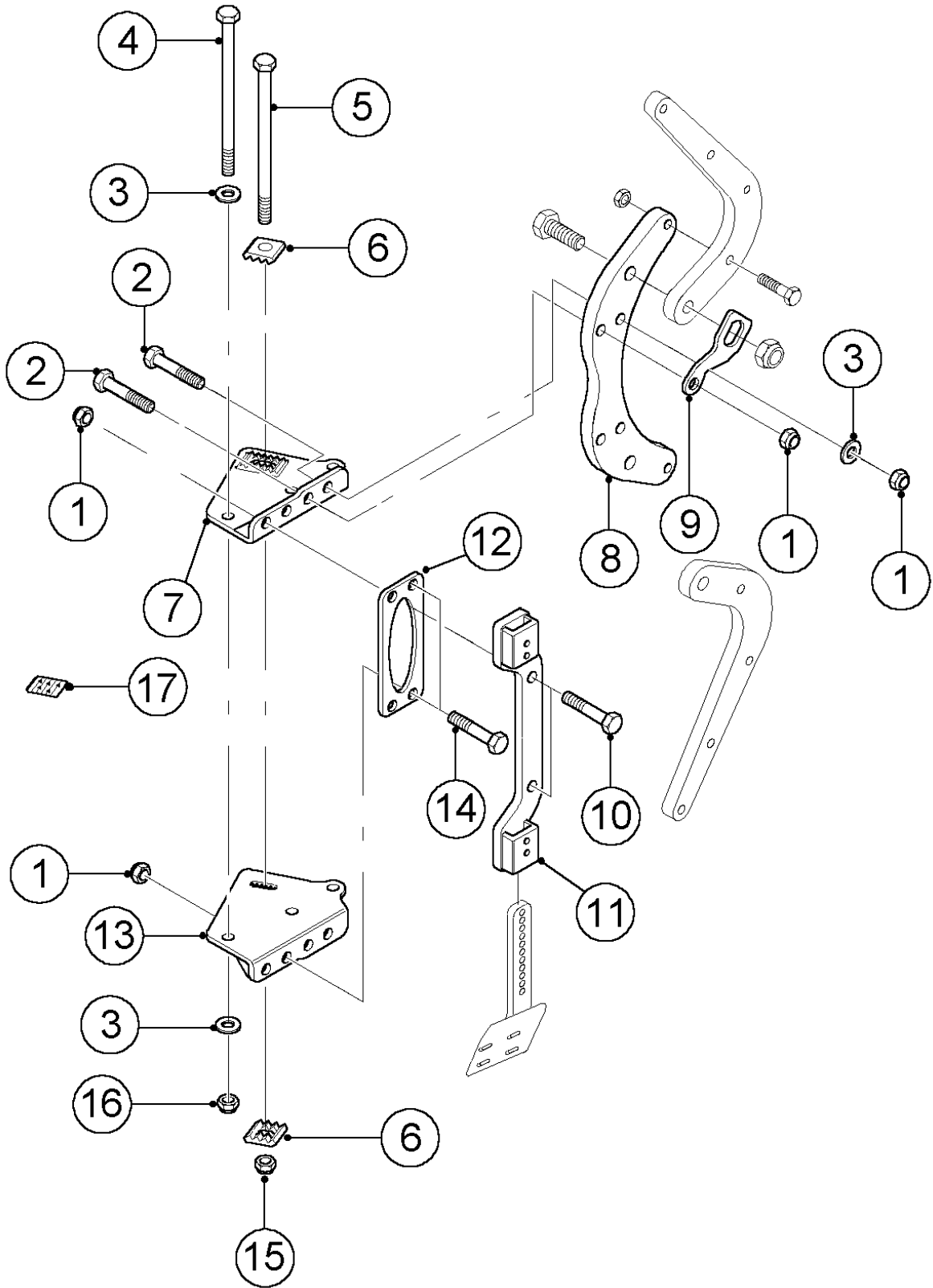
MAIN BEAM ASSEMBLY



MAIN BEAM ASSEMBLY

ITEM	PART N°	DESCRIPTION	QTY
1	1554500	Main Beam 7F MA	1
2	1554600	Attachment (Double Flange)	-
3	902255	Bolt M20 x 75 (per attachment)	8
4	900785	Self Locking Nut M20 (per attachment)	8
5	1554700	Attachment (Single Flange)	-

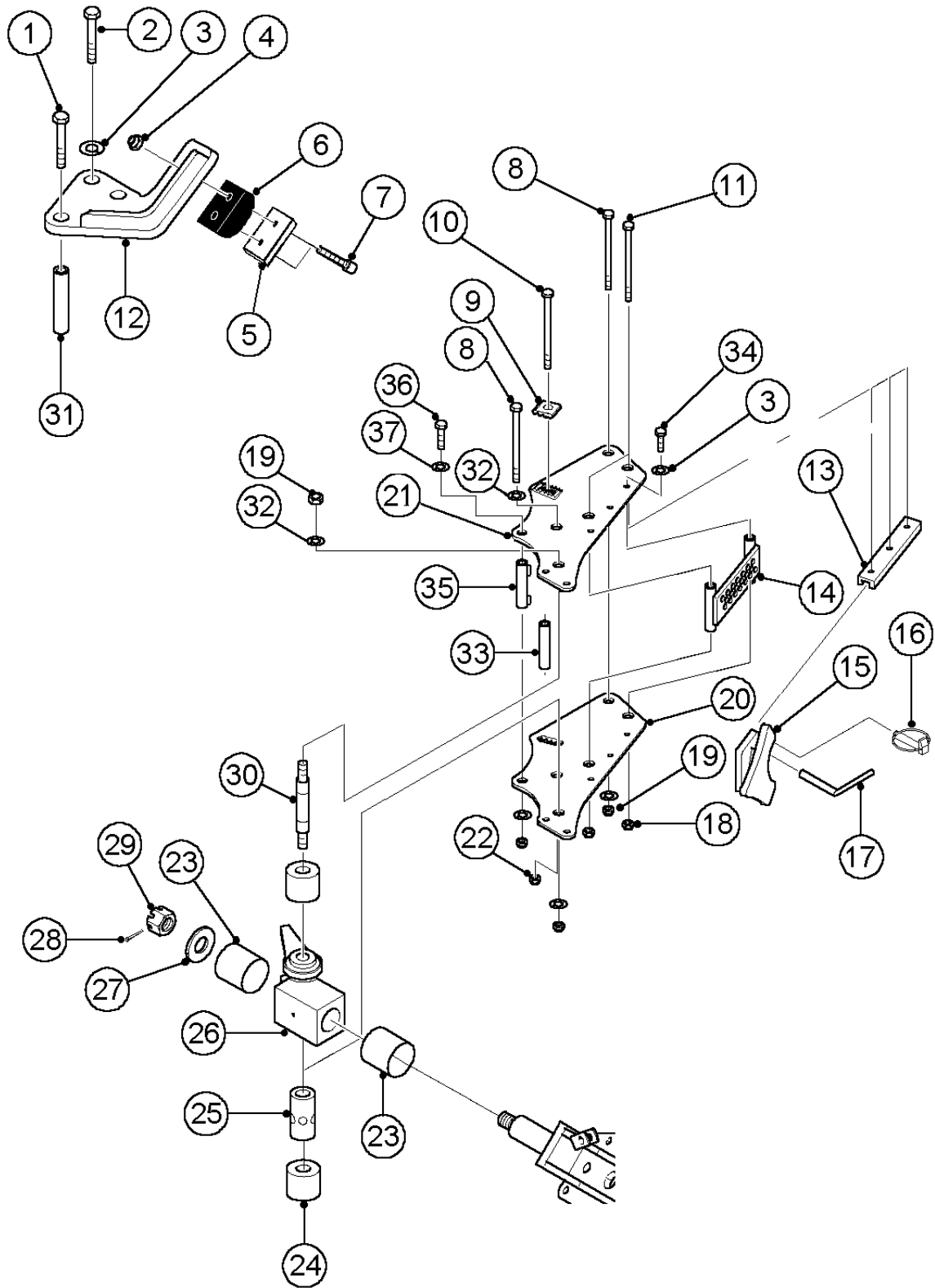
MA LEG BRACKET ASSEMBLY



MA LEG BRACKET ASSEMBLY

ITEM	PART N°	DESCRIPTION	QTY
1	903276	Self Locking Nut M24	8
2	903254	Bolt M24 x 80	4
3	901610	Plain Washer M24	4
4	903136	Bolt M24 x 260	1
5	903137	Bolt M24 x 295	1
6	1022700	Serrated Width Adjuster	2
7	1466398	MA Leg Mounting (RH)	1
8	1466400	Leg Carrier	1
9	1466600	Bolt Retainer	2
10	903255	Bolt M24 x 70	2
11	1467800	Skim Mounting Bracket	1
12	1466500	Tie Plate	1
13	1466399	MA Leg Mounting (LH)	1
14	903256	Bolt M24 x 50	2
15	900785	Self Locking Nut M20	1
16	900786	Self Locking Nut M24	1
17	1492100	Furrow Width decal	1

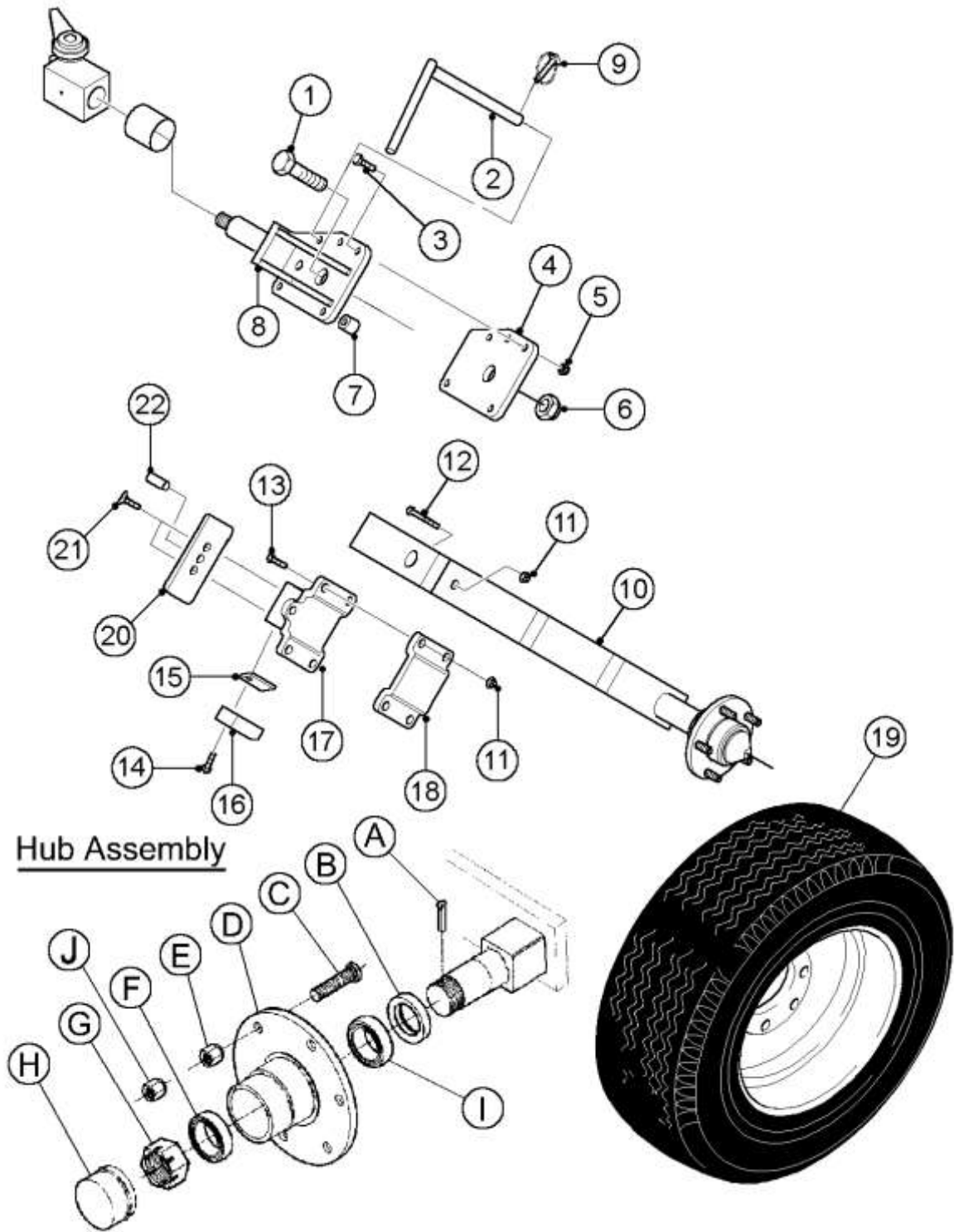
WHEEL BRACKET ASSEMBLY



WHEEL BRACKET ASSEMBLY

ITEM	PART N°	DESCRIPTION	QTY
1	901104	Bolt M16 x 280	1
2	901330	Set Screw M16 x 35	4
3	901191	Spring Washer M16	10
4	900783	Self Locking Nut M12	4
5	1496600	Bump Stop Plate	2
6	1496700	Rubber Stop	8
7	901506	C'sunk Square Bolt M12 x 70	4
8	903136	Bolt M24 x 260	3
9	1022700	Serrated Width Adjuster	2
10	903137	Bolt M20 x 295	1
11	903138	Bolt M16 x 250	2
12	1489499	Wheel Bump Stop (LH)	1
-	1489498	Wheel Bump Stop (RH)	1
13	1483500	Adjuster Slide Rail	2
14	1483600	Adjuster Locator	1
15	1483300	Depth Adjuster	1
16	900527	Linch Pin	1
17	1484300	Depth Locator Pin	1
18	900784	Self Locking Nut M16	3
19	900786	Self Locking Nut M24	5
20	1483198	Wheel Mounting (RH)	1
21	1483199	Wheel Mounting (LH)	1
22	900785	Self Locking Nut M20	1
23	903151	Plain Metal Bearing	2
24	900389	Plain Metal Bearing	2
25	1484000	Wheel Swivel Spacer	1
26	1476900	Wheel Swivel	1
27	1498300	Special Washer	1
28	901917	Split Cotter Pin	1
29	901556	Hexagonal Slotted Nut M24	1
30	1483400	Wheel Swivel Pin	1
31	1489600	Bump Stop Support	1
32	901610	Plain Washer M24	8
33	1484100	Swivel Limit	1
34	901329	Set Screw M16 x 30	6
35	1556000	Adjustable Swivel Limit	1
36	901357	Set Screw M24 x 50	2
37	901195	Spring Washer M24	2

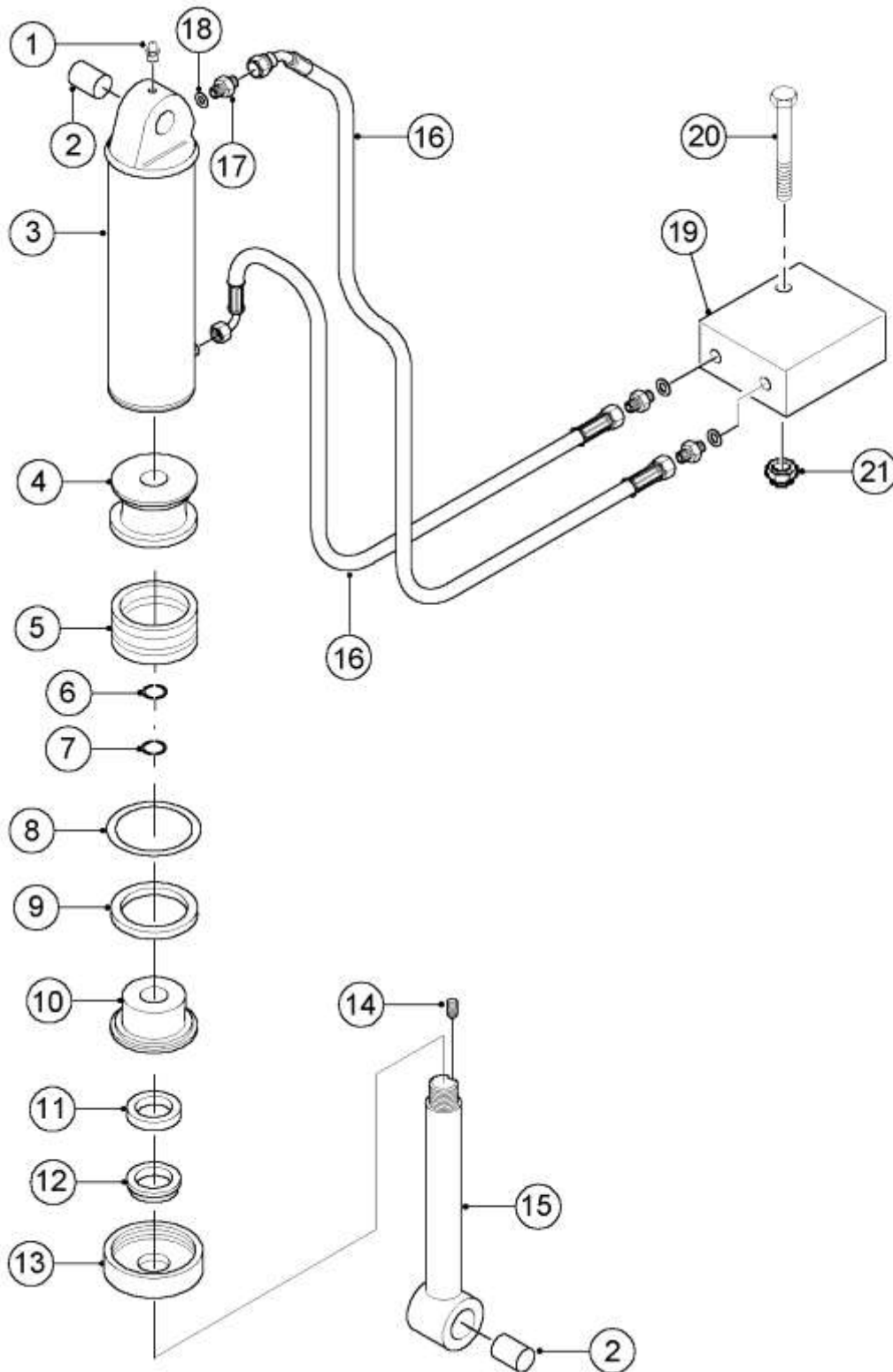
WHEEL ARM ASSEMBLY



WHEEL ARM ASSEMBLY

ITEM	PART N°	DESCRIPTION	QTY
1	901141	Bolt M24 x 90	1
2	1484200	Wheel Transport Pin	1
3	901089	Bolt M16 x 90	3
4	1484800	Wheel Arm Clevis Plate	1
5	900784	Self Locking Nut M16	3
6	900786	Self Locking Nut M24	1
7	1484900	Clevis Spacer Boss	3
8	1483200	Wheel Pivot	2
9	900528	Linch Pin	1
10	1483000	Wheel Arm	1
11	900783	Self Locking Nut M12	5
12	901070	Bolt M12 x 60	1
13	901067	Bolt M12 x 45	4
14	903453	Socket Cap Screw M10 x 35	2
15	1485600	Depth Equalizing Strip	2
16	1483700	Depth Striker	2
17	1483800	Depth Striker Mounting (Suits 10/75)	1
17a	1534100	Depth Striker Mounting (Suits 12/80 & 11.5/80)	
18	1483900	Depth Striker Clamp	1
19	1319000	Wheel Assembly 10/75 – 15.3 (Std)	1
19a	1426400	Wheel Assembly 12/80 – 15.3	-
19c	1566000	Wheel Assembly 11.5/80 – 15.3	-
20	1517900	Keep Plate (Suits 10/75)	1
20a	1518100	Keep Plate (Suits 12/80 & 11.5/80)	
21	901199	Countersunk Socket Screw M12 x 35	2
22	1520600	Dowel Pin	1
A	901214	Spit Pin	1
B	1497200	Dirt Seal	1
C	1497400	Wheel Stud M16 x 1.5	5
D	1497300	Wheel Hub	1
E	1497500	Wheel Nut M16 x 1.5	5
F	1497600	Tapered Roller Bearing (small)	1
G	1497700	Slotted Nut	1
H	1497800	Hub Cap	1
I	232100	Tapered Roller Bearing (Large)	1
J	903274	Self Locking Nut M16	5

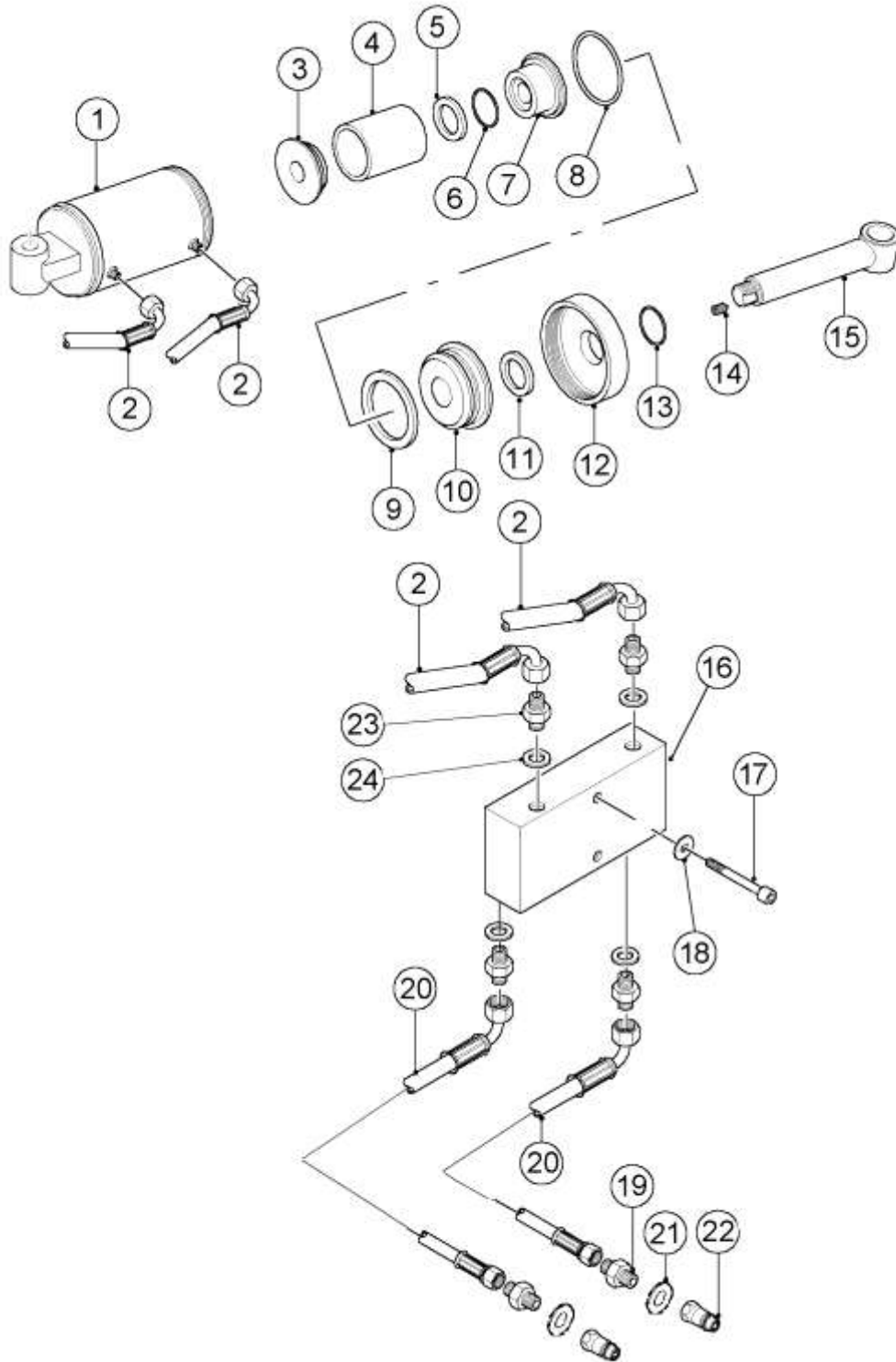
TURNOVER HYDRAULICS



TURNOVER HYDRAULICS

ITEM	PART N°	DESCRIPTION	QTY
1	900431	Grease Nipple ¼” UNF Straight	2
2	900373	Plain Metal Bearing	2
3	1555700	Cylinder Assembly	1
4	1579100	Piston (SPS Type)	1
5	900253	Double Acting Seal (SPS)	1
6	900202	‘O’ Ring	1
7	900806	Back-up Ring	1
8	900204	‘O’	1
9	900800	Back-up Ring	1
10	015300	End Plug	1
11	900222	Single Acting Seal	1
12	900262	Wiper Seal	1
13	015200	End Cap	1
14	900151	Socket Set Screw ¼” UNF	1
15	1555800	Piston Rod	1
16	043000	Hydraulic Hose Assembly	2
17	900391	Adapter 3/8” BSP	1
18	900301	Dowty Washer 3/8” BSP	1
19	1534200	Turnover Valve (See Separate Page)	1
20	901044	Bolt M10 x 75	1
21	900782	Self Locking Nut M10	1
-	1579600	Ram Assembly	
-	1579700	Seal Kit	

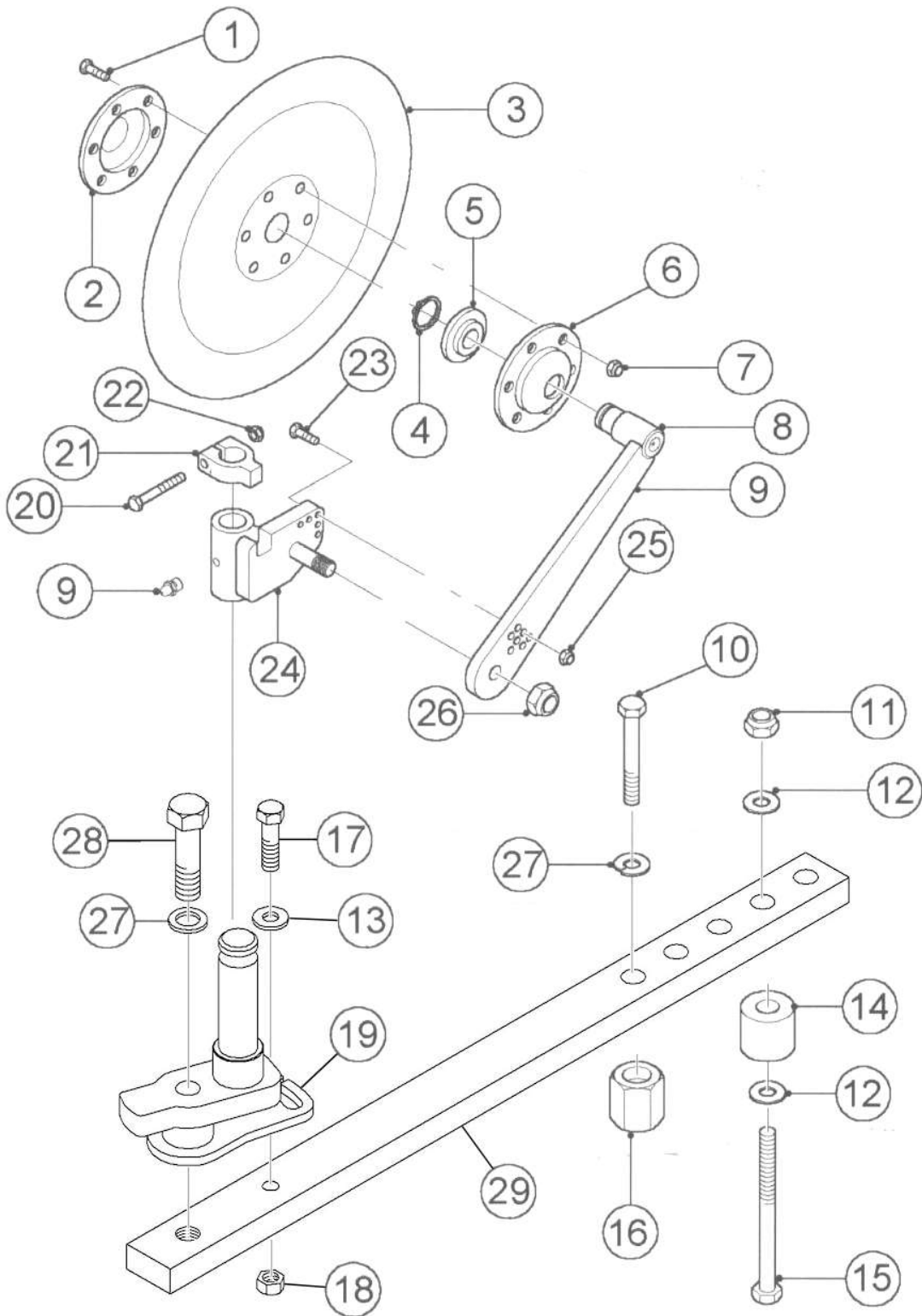
ALIGNMENT HYDRAULICS



ALIGNMENT HYDRAULICS

ITEM	PART N°	DESCRIPTION	QTY
1	1558400	Cylinder Assembly	1
2	1492400	Hydraulic Hose Assembly	2
3	1518400	Piston	1
4	900251	Double Acting Seal	1
5	900216	'O' Ring	1
6	903341	Back-Up ring	1
7	1518500	Annulus	1
8	900206	'O' Ring	1
9	900803	Back-Up Ring	1
10	1463000	End Plug	1
11	900224	Single Acting Seal	1
12	1463100	End Cap	1
13	900267	Wiper Seal	1
14	900151	Socket Set Screw ¼" UNF	1
15	1558300	Piston Rod	1
16	1085900	Check Valve	1
17	901023	Bolt M8 x 40	2
18	902482	Plain Washer M8	2
19	900392	Adapter 3/8" – 1/2" BSP	2
20	1492600	Hydraulic Hose Assembly	2
21	900302	Dowty Washer 1/2" BSP	2
22	900611	Tractor Quick Coupler	2
23	900391	Adapter 3/8 – 3/8 BSP	4
24	900301	Dowty Washer 3/8" BSP	4
-	1554800	Ram Assembly	-
-	1558500	Seal Kit	-

DISC ASSEMBLY

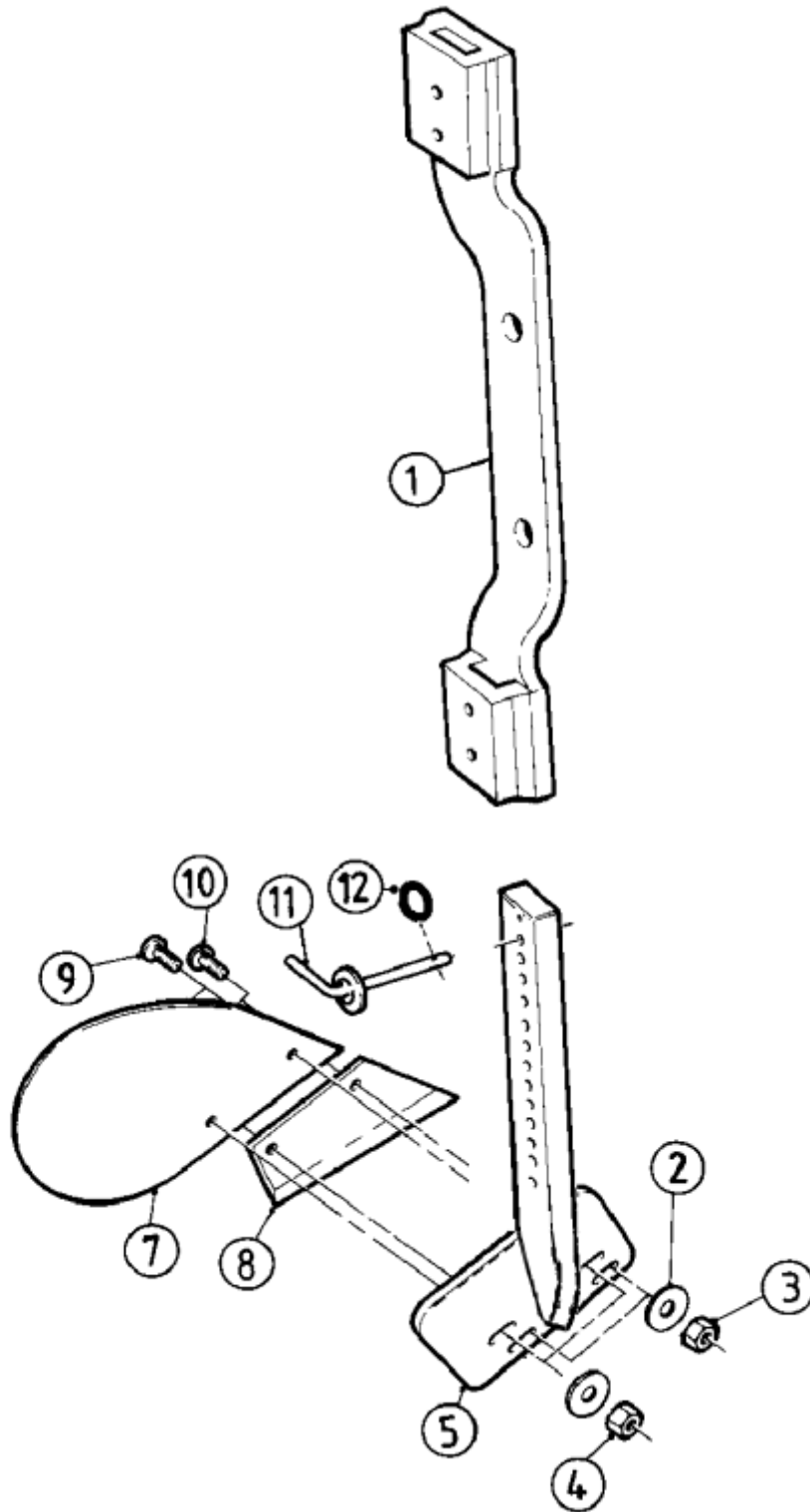


DISC ASSEMBLY

ITEM	PART N°	DESCRIPTION	QTY
1	901263	Set Screw M8 x 30	6
2	054900	Bearing Outer Housing	1
3	052800	Disc 18" Plain	-
-	063800	Disc 18" Cutaway	-
4	900601	External Circlip	1
5	900324	Bearing	1
6	055000	Bearing Inner Housing	1
7	900781	Self Locking Nut M8	6
8	1100200	Disc Arm	1
9	900431	Grease Nipple ¼" UNF	2
10	901381	Set Screw M24 x 55	1
11	903276	Self locking Nut M24	2
12	901610	Plain Washer M24	2
13	902954	Special Washer	1
14	1425500	Spacer Boss	2
15	903258	Bolt M24 x 110	2
16	1467500	Disc Spacer Nut	1
17	901085	Bolt M16 x 65	1
18	900784	Self Locking Nut M16	1
19	1603698	Disc Offset Knuckle (RH)	1
-	1603699	Disc Offset Knuckle (LH)	-
20	901073	Bolt M12 x 75	1
21	1100400	Disc Clamp	1
22	900783	Self Locking Nut M12	1
23	902350	Shearbolt	1
24	1138198	Disc Swivel (RH)	1
-	1138199	Disc Swivel (LH)	1
25	900105	Plain Nut ½" UNF	1
26	900107	Plain Nut ¾" UNF	1
27	901195	Spring Washer M24	2
28	901141	Bolt M24 x 90	1
29	1603500	Disc Support Arm	1

Quantities are per hand

SKIM ASSEMBLY

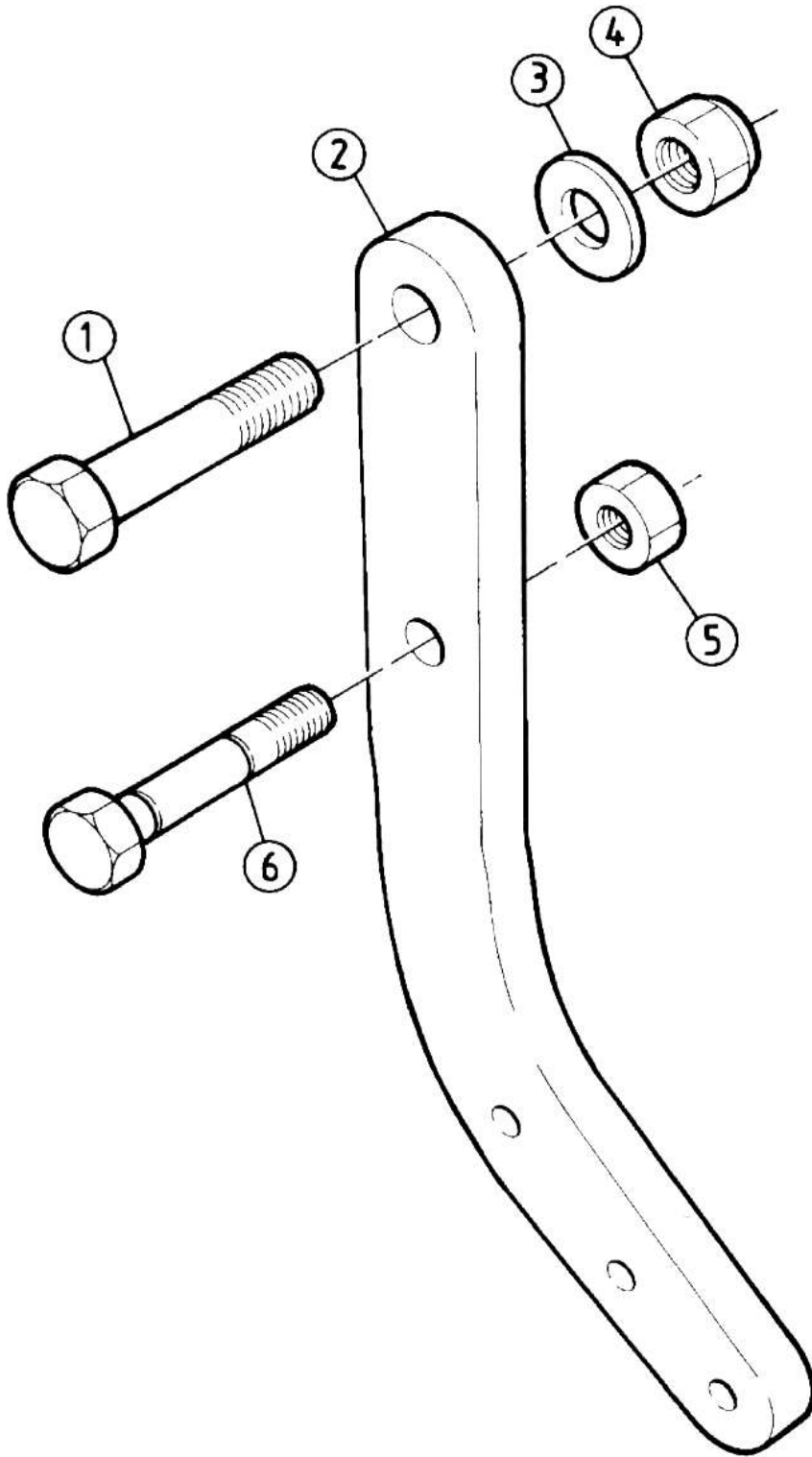


SKIM ASSEMBLY

ITEM	PART N°	DESCRIPTION	QTY
1	1467800	Skim Bracket	1
2	902955	Plain Washer M10 (Special)	4
3	900498	Nut 3/8" UNC	4
4	900103	Nut 3/8" UNF	4
5	1467998	Skim Shank RH	1
	1467999	Skim Shank LH	1
7	1099898	Skim Wing (XL) RH	1
	1099899	Skim Wing (XL) LH	1
8	048098	Skim Point RH	1
	048099	Skim Point LH	1
9	900141	Countersunk Square Bolt	4
10	900810	Taper Head Bolt	4
11	1344100	Locating Pin	2
12	903200	Spring Coil	2

All Quantities are per furrow

170 SERIES LEG



170 SERIES LEG

ITEM	PART N°	DESCRIPTION	QTY
1	902260	Bolt M30 x 100	1
2	-	See Table Below	As Req
3	901608	Plain Washer M30	1
4	903277	Self Locking Nut M30	1
5	900775	Plain Nut M20	1
6	-	Shearbolt (See Separate Page)	-

LEG LIST

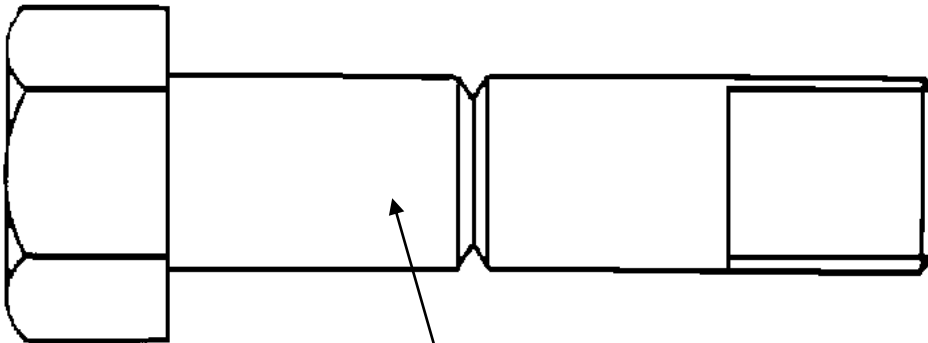
Underbeam Clearance (Inches)	Body Type	Part N°
28.50	DD	1466700
28.00	UCN	1466700
30.00	DD	1466800
29.50	UCN	1466800
29.00	M-SLAT	1466900

170 SERIES LEG SHEARBOLT

To avoid SERIOUS DAMAGE it is essential that the correct shear bolts are fitted.

THE USE OF INCORRECT SHEARBOLTS WILL NULLIFY
YOUR WARRANTY!

To ease identification, all leg shearbolts are colour coded.



Pink

Part Number – 902347