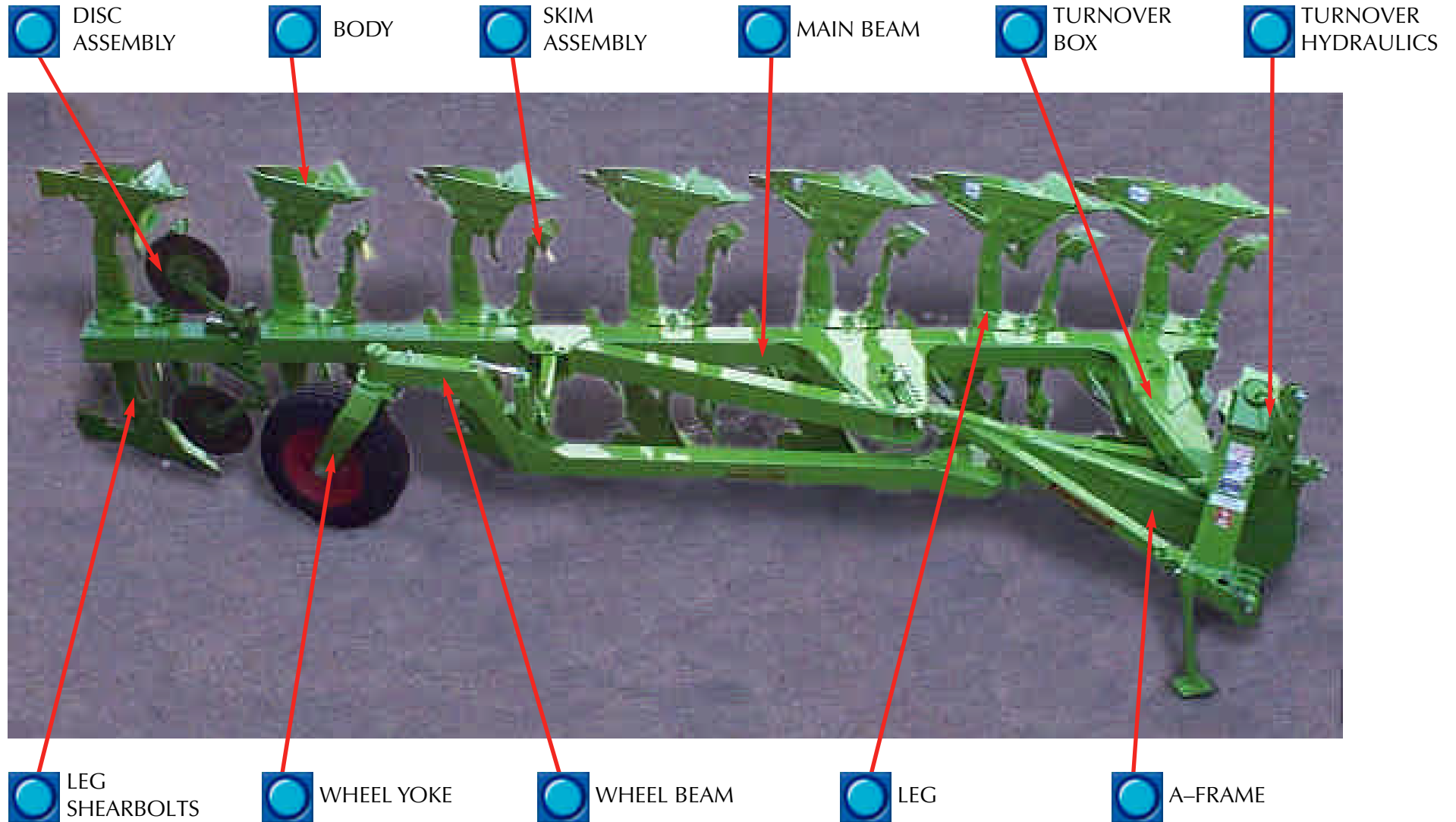


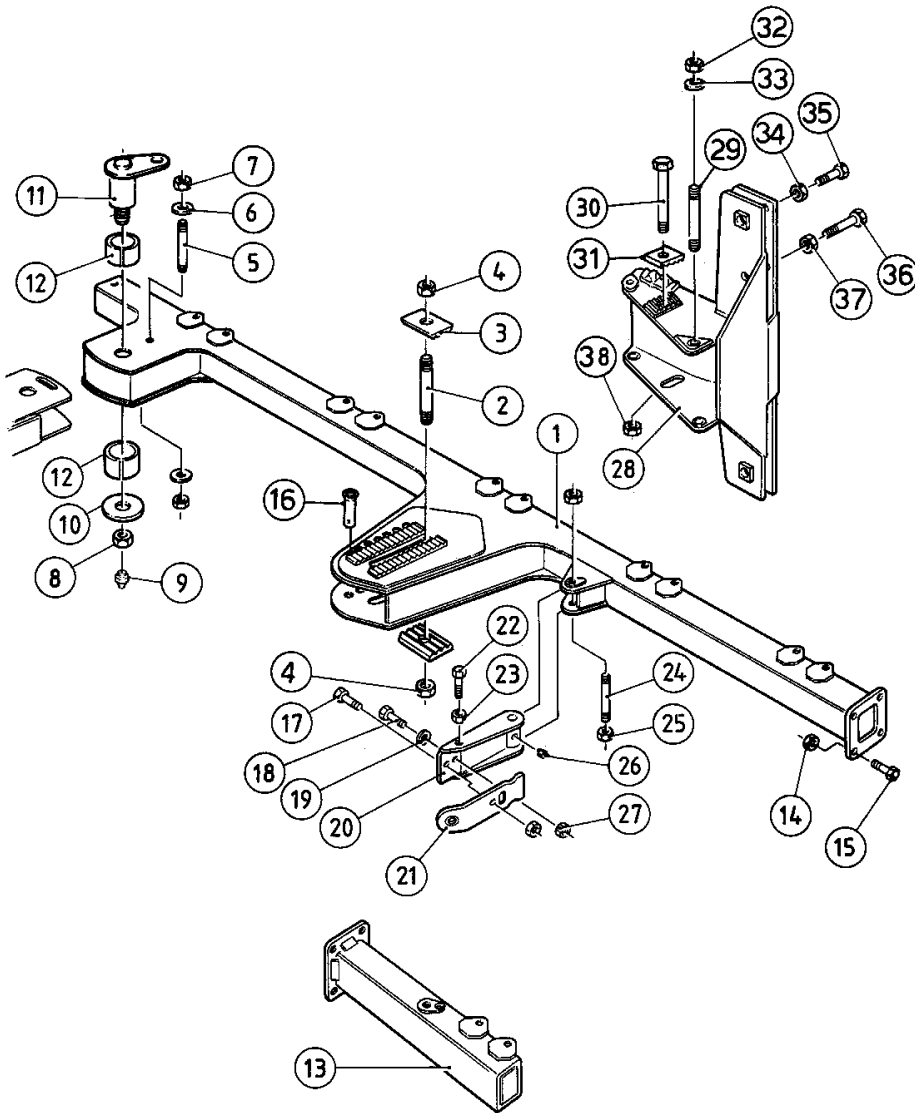
DF 160 MA SERIES – PLOUGH



PLOUGH SELECTION

Dowdeswell

DF 160 MA SERIES – MAIN BEAM



ITEM	PART NO.	DESCRIPTION	QTY.
1	-	Main Beam (Requires Serial Number)	-
2	1161400	Spade Handle Stud	1
3	1234500	Serrated Washer	2
4	900112	Self Locking Nut 1" UNF	2
5	902004	Locking Stud	1
6	900184	Washer	2
7	900786	Self Locking Nut	2
8	900128	Self Locking Nut 1 1/2" BSF	1
9	900431	Grease Nipple	1
10	1141100	Washer 100mm Dia	1
11	1339600	Pivot Pin	1
12	900352	Bearing	2
13	-	Extension Beam (Requires Serial Number)	-
14	900785	Self Locking Nut M20	8
15	902253	Bolt M20 x 70	8
16	1172100	Beam Angle Pin	1
17	900053	Bolt 3/4" UNF x 2 1/2"	1
18	900043	Bolt 5/8" UNF x 2 1/2"	1
19	900172	Washer 5/8"	1
20	-	Wheel Arm	-
21	068800	Ball Joint	1
22	900084	Setscrew 1/2" UNF x 3"	2
23	900106	Nut 1/2" UNF	2
24	900514	Stud 1 1/4" UNF	1
25	900113	Self Locking Nut 1 1/4" UNF	2
26	900431	Grease Nipple	1
27	900116	Self Locking Nut 5/8" UNF	1
28	1141700 (1109600)	Leg Bracket (39")	-
28A	1142200 (1142200)	Leg Bracket (36")	-
29	902004	Stud Dia. 24 x 260 Long	1*
30	902252	Special Bolt M20	1*
31	1022700	Serrated Washer	2*
32	900786	Self Locking Nut M24	1*
33	901610	Plain Washer M24	2*
34	900496	Nut 5/8" UNC	2*
35	-	Leg Shear Bolt	-
36	900063	Bolt 1" UNF x 3 1/4"	2*
37	900109	Nut 1" UNF	2*
38	900785	Self Locking Nut M20	2*

Part Numbers In Brackets Are Pre March 1994.

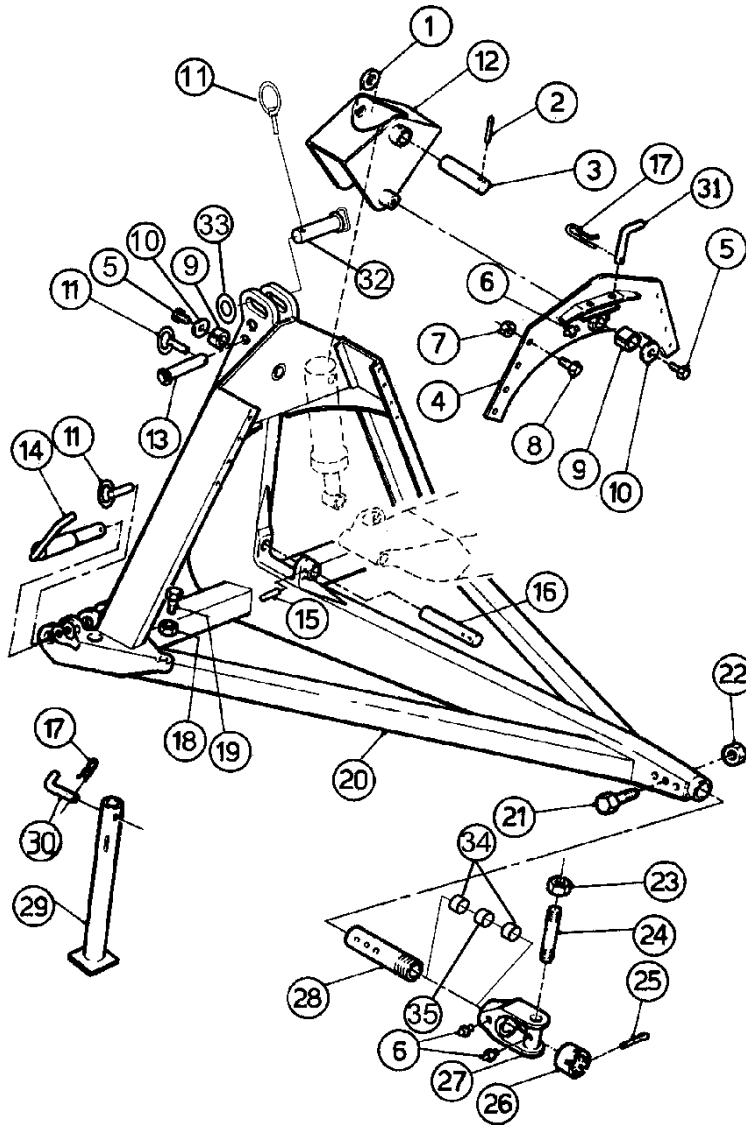
* Denotes Quantity Per Furrow.



PLOUGH ASSEMBLY

Dowdeswell

DF 160 MA SERIES – A-FRAME



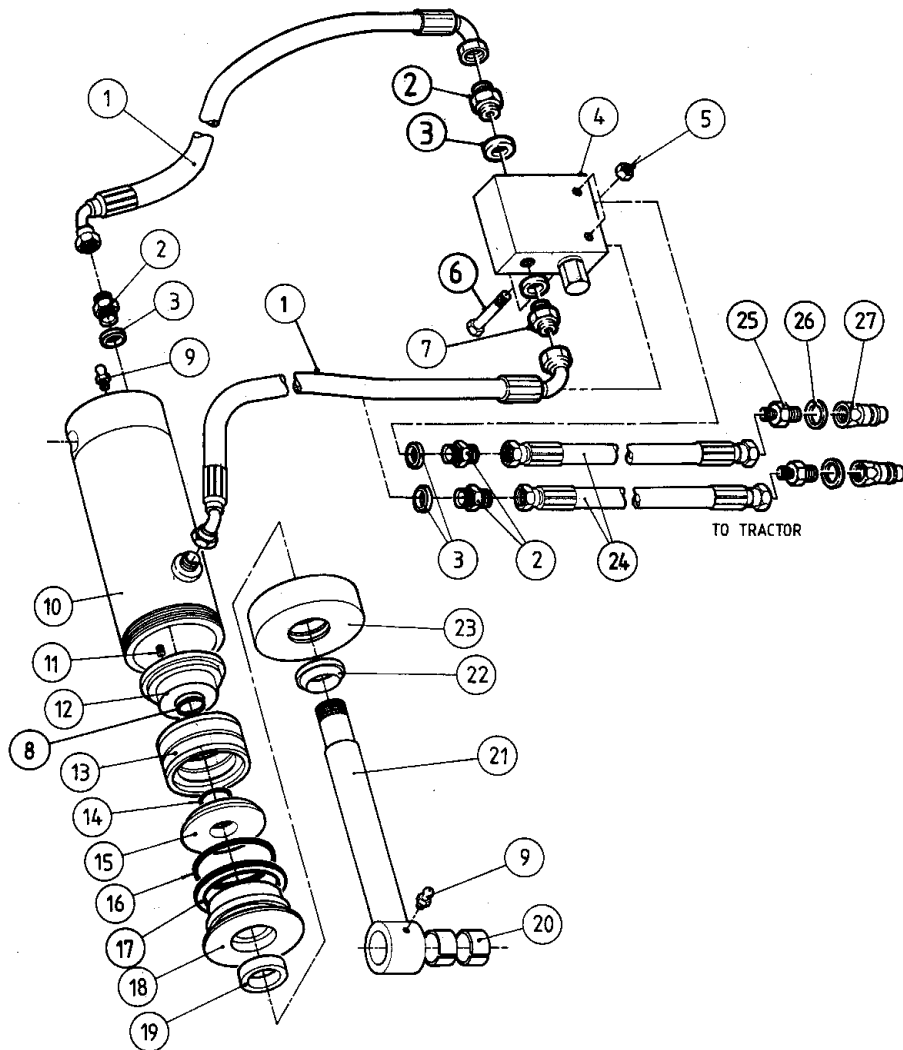
ITEM	PART NO.	DESCRIPTION	QTY.
1	035700	Thrust Washer	2
2	900286	Spring Pin 3/8" x 2"	1
3	028600	Top Ram Pin	1
4	1325200	Backplate	1
5	900041	Bolt 5/8" UNF x 1"	2
6	900431	Grease Nipple	4
7	900105	Nut 1/2" UNF	8
8	900034	Bolt 1/2" x 1 1/2"	8
9	900350	Plain Bearing	2
10	900177	Washer	2
11	900527	Linch Pin	4
12	1019300	Rocker	1
13	1252100	Top Link Pin (Cat. 3)	1
14	1249900	Bottom Link Pin (Cat. 3/3/2)	2
-	1361000	Bottom Link Pin (Cat. 3)	-
15	900287	Spring Pin 3/8" x 2 1/4"	1
16	036800	Pivot Pin	1
17	900521	'R' Clip	4
18	900109	Nut 1" UNF	2
19	900082	Setscrew 1" UNF x 4"	2
20	162200	'A' Frame	1
21	900045	Bolt 5/8" UNF x 4"	3
22	900116	Self Locking Nut 5/8" UNF	3
23	900112	Self Locking Nut 1" UNF	2
24	1161400	Stud	1
25	900288	Spring Pin 3/8" x 3"	1
26	011600	Pull Pin Nut	1
27	011500	Spade Handle	1
28	011700	Pulling Pin	1
29	060900	Support Leg	2
30	012500	Retaining Peg	2
31	198200	Retaining Pin	2
32	1252100	Top Link Pin	1
33	1410500	Collar	1
34	902214	Plain Metal Bearing	2
35	902215	Plain Metal Bearing	1



PLOUGH ASSEMBLY

Dowdeswell

DF 160 MA SERIES – TURNOVER HYDRAULICS



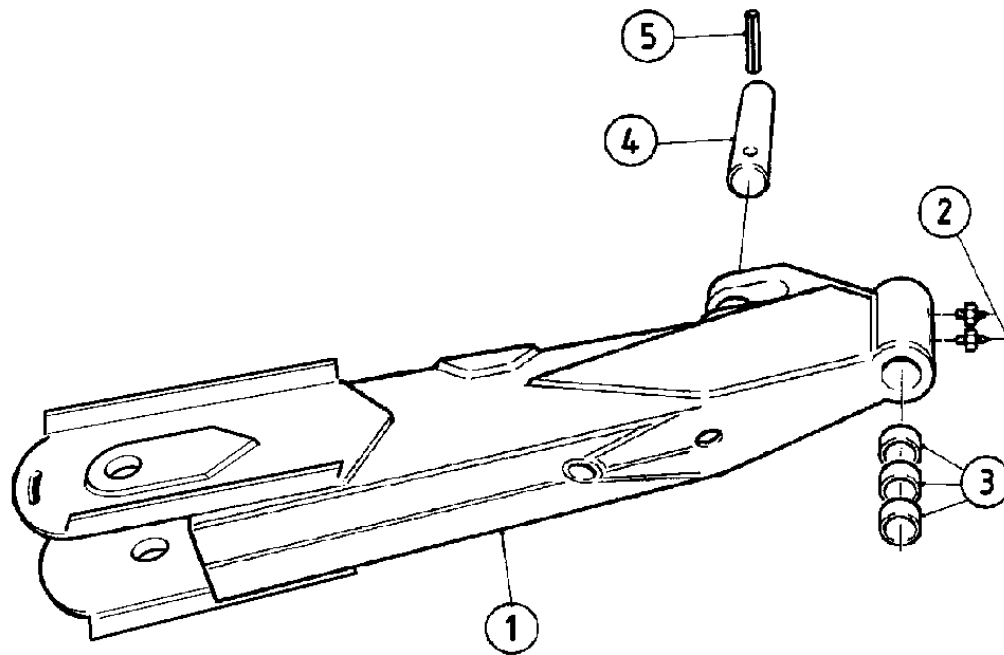
ITEM	PART NO.	PART NO.	DESCRIPTION	QTY.
	4" Ram	4 1/2" Ram		
1	159700	159700	Hose Assembly (32" Hose)	2
2	900391	900391	Adapter 3/8" BSP	4
3	900301	900301	Dowty Washer 3/8" BSP	5
4	088600	088600	Relief Valve	1
5	900781	900781	Self Locking Nut M8	2
6	901026	901026	Bolt M8 x 55	2
7	900907	900907	Restricted Adapter	1
8	900806	900806	Back Up Ring	1
9	900431	900431	Grease Nipple 1/4" UNF Straight	2
10	015400	086000	Ram Tube	1
11	900151	900151	Socket Setscrew 1/4" UNF	1
12	015700	048900	Piston	1
13	900242	900243	Double Acting Seal	1
14	900202	900202	'O' Ring	1
15	015600	049000	Piston Annulus	1
16	900204	900205	'O' Ring	1
17	900800	900804	Backup Ring	1
18	015300	048800	Plug	1
19	900222	900222	Single Acting Seal	1
20	900372	900372	Tension Bush	2
21	018600	018600	Piston Rod	1
22	900262	900262	Wiper Seal	1
23	015200	049200	End Cap	1
24	008400	008400	Hose Assembly (52" Hose)	2
25	900392	900392	Adapter 3/8"M to 1/2"M	2
26	900302	900302	Dowty Washer 1/2"	2
27	900611	900611	Male Quick coupler	2
-	052700	073600	Ram Seal Set (Items 8,13,14,16,17,19, 22)	-
-	005400	086300	Ram Assembly (Items 9-23 Incl.)	-



PLOUGH ASSEMBLY

Dowdeswell

DF 160 MA SERIES – TURNOVER BOX



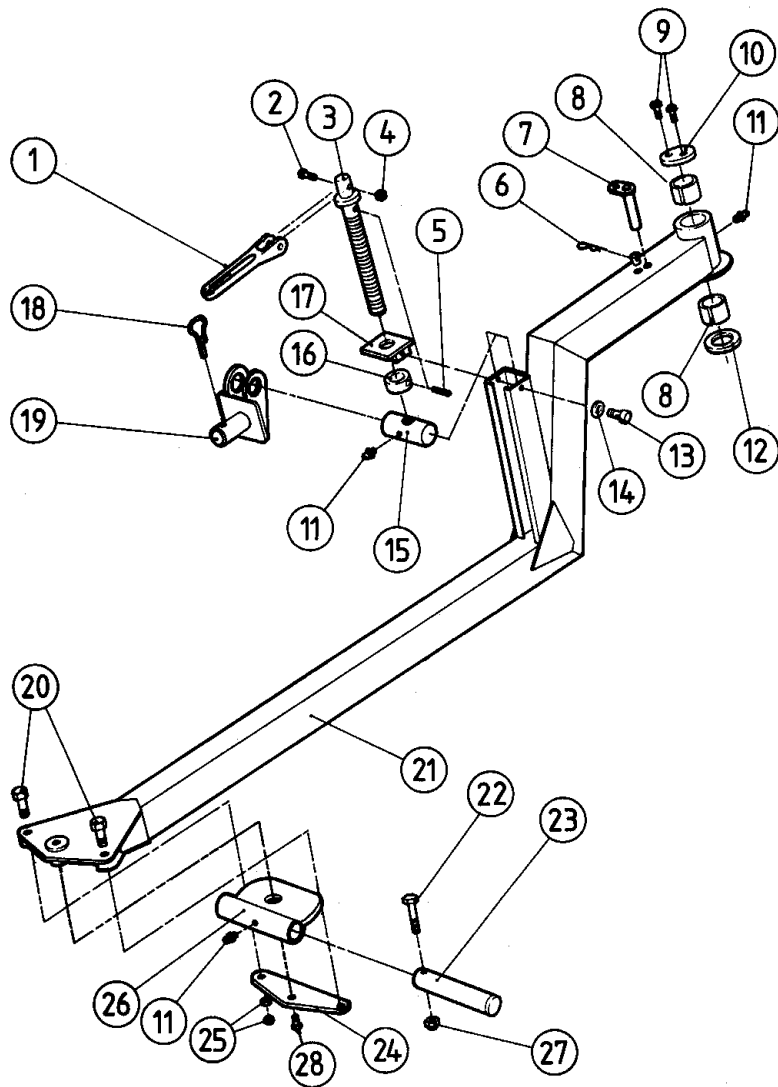
ITEM	PART NO.	DESCRIPTION	QTY.
1	1339100	Turnover Box	1
2	900431	Grease Nipple	2
3	900374	Tension Bush	3
4	091200	Bottom Ram Pin	1
5	900287	Spring Pin 3/8" x 2 1/4"	1



PLOUGH ASSEMBLY

Dowdeswell

DF 160 MA SERIES – WHEEL BEAM



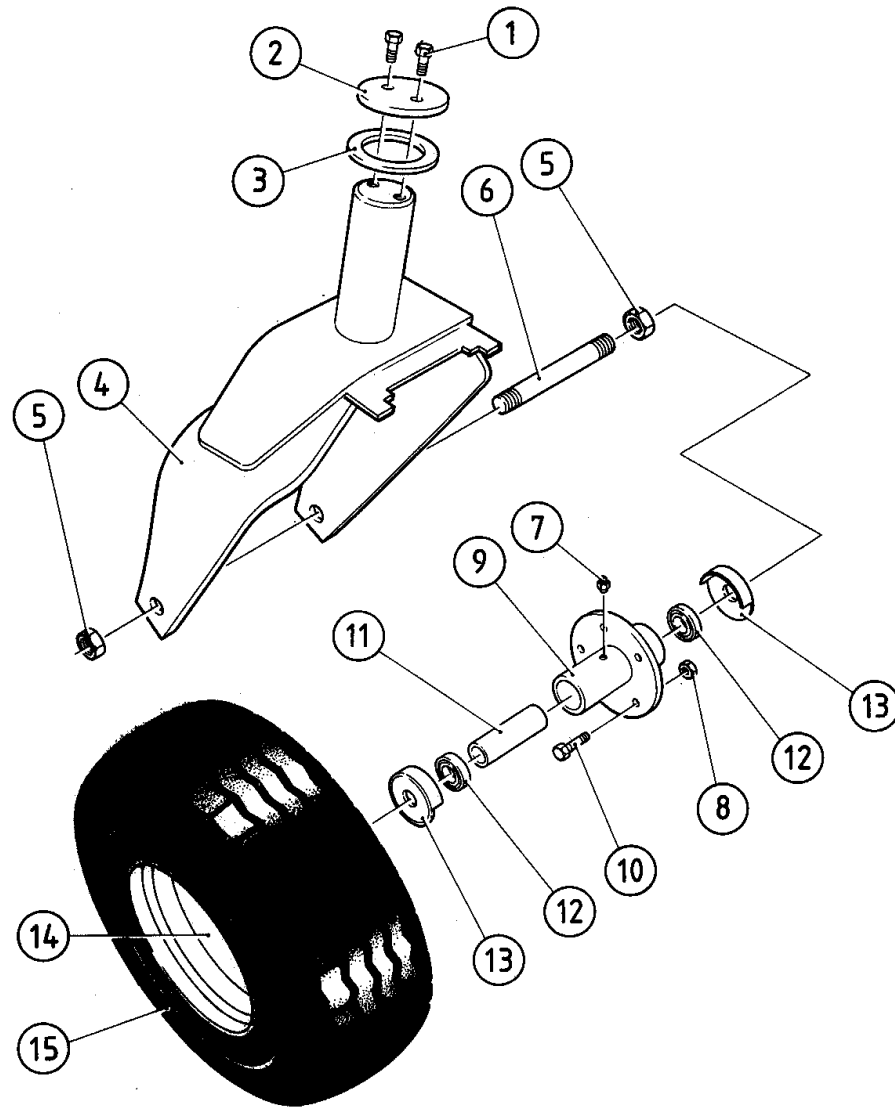
ITEM	PART NO.	DESCRIPTION	QTY.
1	1156300	Handle	1
2	900027	Bolt 5/16" x 2 1/2"	1
3	080000	Depth Screw	1
4	900115	Self Locking Nut 5/16" UNF	1
5	900282	Spring Pin 5/16" x 1 1/2"	1
6	900527	Linch Pin	1
7	243600	Pin	1
8	900352	Plain Bearing	2
9	901329	Setscrew M16 x 30	2
10	1302000	Yoke Retainer	1
11	900431	Grease Nipple	3
12	060800	Thrust Washer	2
13	900022	Bolt 3/8" UNF x 3/4"	2
14	900193	Spring Washer 3/8"	2
15	002800	Slide Shaft	1
16	002200	Retaining Collar	1
17	088400	Locating Plate	1
18	900527	Linch Pin	1
19	115800	Slide Bracket	1
20	901088	Bolt M16 x 80	5
21	-	Wheel Beam (Requires Serial No.)	1
22	900027	Bolt 3/8" UNF x 2 1/2"	1
23	009300	Pivot Pin	1
24	026100	Keep plate	1
25	900784	Self Locking Nut M16	5
26	1237700	Swinging Pivot	1
27	900115	Self Locking Nut 3/8"	1
28	900041	Bolt 5/8" UNF x 1"	1



PLOUGH ASSEMBLY

Dowdeswell

DF 160 MA SERIES – WHEEL YOKE



STANDARD WHEEL

ITEM	PART NO.	DESCRIPTION	QTY.
1	901329	Setscrew M16 x 30	2
2	1302000	Yoke Retainer	1
3	060800	Thrust Washer	2
4	038300	Yoke	1
5	900112	Self Locking Nut 1" UNF	2
6	038000	Axle Shaft	1
7	900431	Grease Nipple	1
8	900493	Wheel Nut 5/8" UNF	5
9	089200	Hub	1
10	900047	Bolt 5/8" UNF x 2"	5
11	039500	Spacer Tube	1
12	900323	Ball Bearing	2
13	067600	Dirt Seal	2
14	900587	Wheel Rim	1
15	900568	Tyre (10.0 - 15)	1
-	106100	Hub Assy. (Items 5, 6, 7, 9, 11, 12 & 13)	-
-	088900	Wheel Assy. (Items 14 & 15)	-

HEAVY DUTY WHEEL

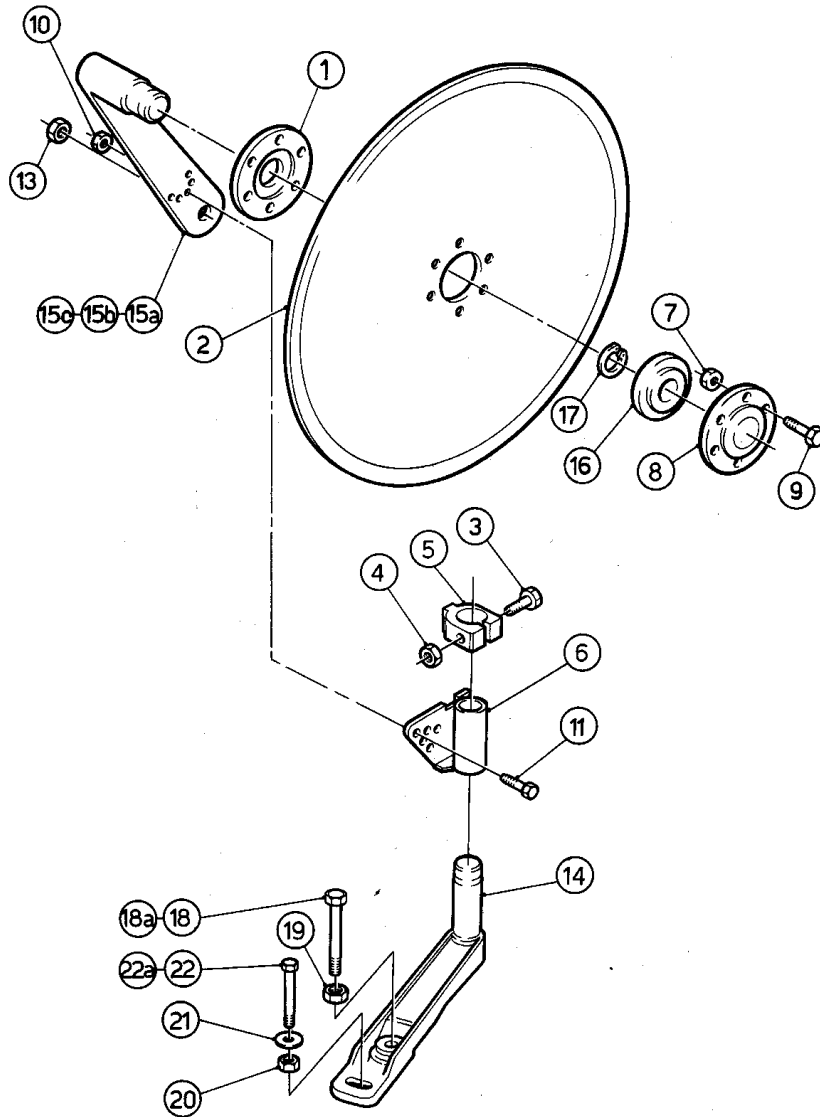
ITEM	PART NO.	DESCRIPTION	QTY.
4A	1234700	Yoke	1
6A	064600	Axle Shaft	1
8A	900494	Wheel Nut 3/4" UNF	6
9A	064400	Hub	1
10A	900053	Bolt 3/4" UNF x 2 1/2"	6
11A	064500	Spacer Tube	1
14A	900585	Wheel Rim	1
15A	900566	Tyre (15.0 - 17)	1
-	090000	Hub Assy.(Items 4A, 6A, 8A, 9A, 10A, 11A)	-



PLOUGH ASSEMBLY

Dowdeswell

DF 160 MA SERIES – DISC ASSEMBLY



ITEM	PART NO.	DESCRIPTION	QTY.
1	055000	Bearing Housing (Inner)	1
2	052800	Disc 18" Plain	-
2a	053000	Disc 20" Plain*	-
2b	063800	Disc 18" Cutaway	-
2c	051400	Disc 20" Cutaway*	-
3	901073	Bolt M12 x75	1
4	900783	Nylock Nut M12	1
5	1100400	Disc Clamp	1
6	1138198	Disc Swivel RH	1
-	1139199	Disc Swivel LH	1
7	900781	Self Locking Nut M8	6
8	054900	Bearing Housing (Outer)	1
9	901263	Setscrew M8 x 30	6
10	900105	Nut 1/2" UNF	1
11	900488	Shearbolt	1
13	900107	Plain Nut 3/4" UNF	1
14	1305600	Disc Support Arm	1
15A	1100200	Disc Arm 18"	-
15B	1104800	Disc Arm 20"	-
15C	1099500	Disc Arm Short	-
16	900324	Ball Bearing	1
17	900601	Circlip External	1
18	901124	Bolt M20 x 240 (100 SRS Only)	-
18A	901126	Bolt M20 x 260 (120, 160, 220 SRS Only)	-
18B	901130	Bolt M20 x 300 (180, 250 SRS Only)	-
19	900785	Self Locking Nut M20	1
20	900784	Self Locking Nut M16	1
21	902954	Special Washer M16	2
22	901100	M16 x 220 (100 SRS Only)	-
22A	901102	M16 x 240 (120, 160, 220 SRS Only)	-
22B	901104	M16 x 280 (180, 250 SRS Only)	-

NB. 20" discs can only be fitted to 20" arms.



PLOUGH ASSEMBLY

Dowdeswell

DF 160 MA SERIES – LEG (AFTER MARCH 94)

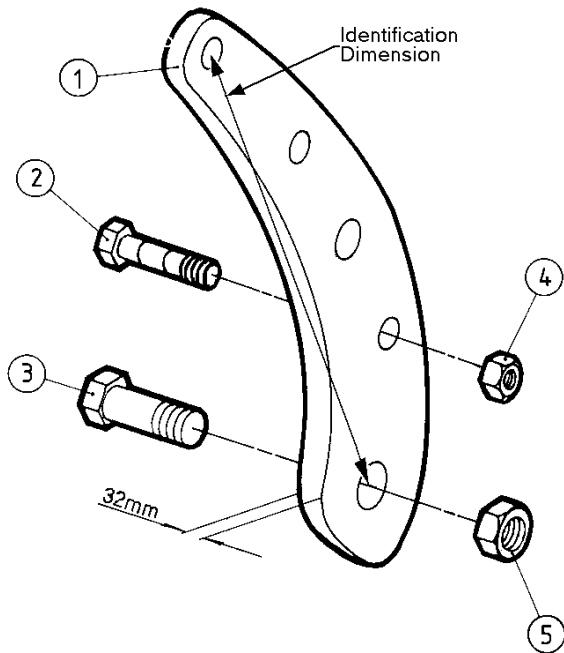
LEGS FOR DF 120 MA, 160 MA, 180 MA, DP9 & 220 MA (AFTER MARCH 94)*

Item Number 1

UNDERBEAM CLEARANCE (Inches)	BODY TYPE	PART NO	I.D Dimension
28.00	DD/DDS	011198	528.0mm
29.50	DD/DDS	061498	564.5mm
31.00	DD/DDS	135800	596.7mm
27.00	UCN/SCN	011198	528.0mm
28.50	UCN/SCN	061498	564.5mm
30.00	UCN/SCN	135800	596.7mm
27.80	YCN	315500	566.0mm
29.25	YCN	1017300	599.5mm
28.00	M-Slatt	1348400	457.7mm

Leg Pivot and Shear Bolts

ITEM	PART NO	DESCRIPTION	QTY./LEG
2	-	Leg Shear Bolt	-
3	900063	Bolt 1" UNF x 3 1/4"	1
4	900496	Nut 5/8" UNC	1
5	900109	Nut 1" UNF	1



PLOUGH ASSEMBLY

Dowdeswell

SHEARBOLTS



BEFORE MARCH 94



DF 160 MA SERIES – LEG (BEFORE MARCH 94)

Item Number 1

UNDERBEAM CLEARANCE (Inches)

BODY TYPE

PART NO

I.D Dimension

29.50
28.50
30.00
28.50
30.00
27.00
29.50
28.00

DD
SCN
SCN
UCN
UCN
YCN
YCN
M-Slatt

061498
061498
135800
061498
135800
315500
1017300
1348400

564.5mm
564.5mm
596.7mm
564.5mm
596.7mm
566.0mm
599.5mm

Leg Pivot and Shear Bolts

ITEM

PART NO

DESCRIPTION

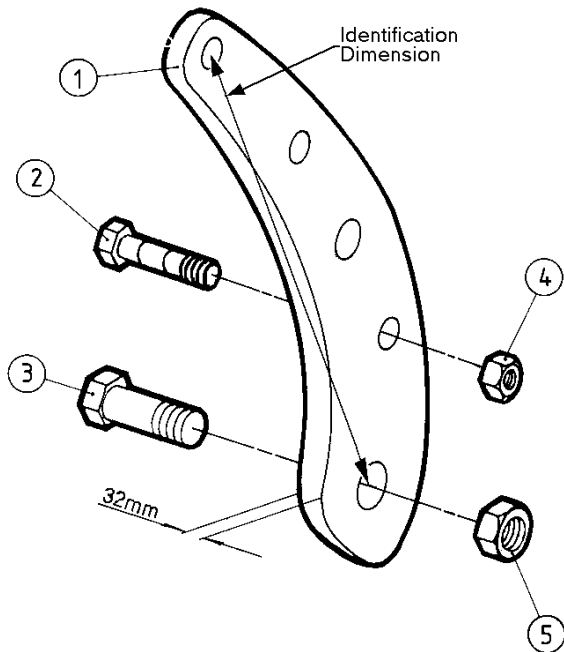
QTY./LEG

2
3
4
5

900481
900063
900496
900109

Leg Shear Bolt (Blue)
Bolt 1" UNF x 3 1/4"
Nut 5/8" UNC
Nut 1" UNF

1
1
1
1



PLOUGH ASSEMBLY

Dowdeswell

SHEARBOLTS



AFTER MARCH 94

