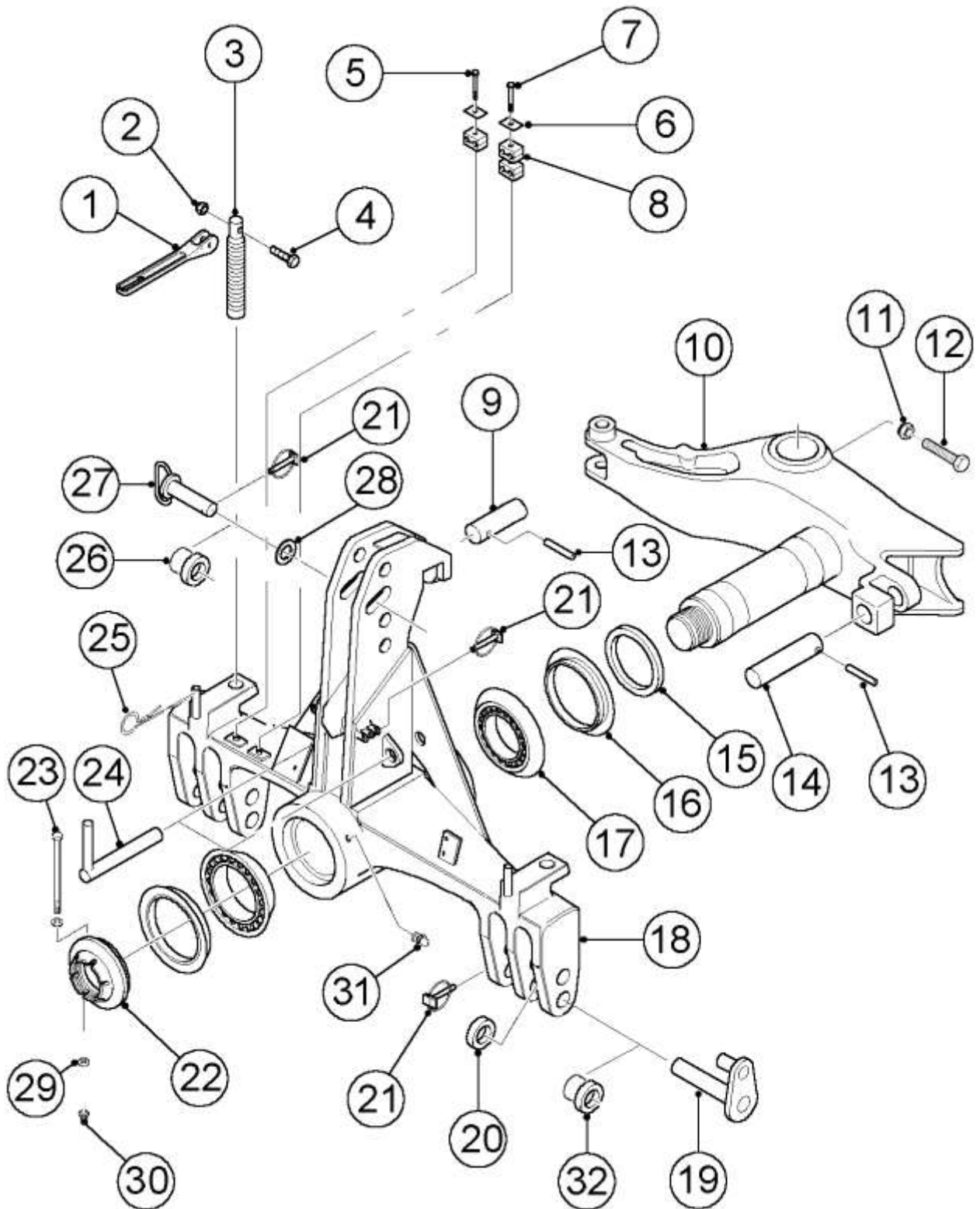


**Parts**  
**Manual**  
**125 Series**  
**MA**

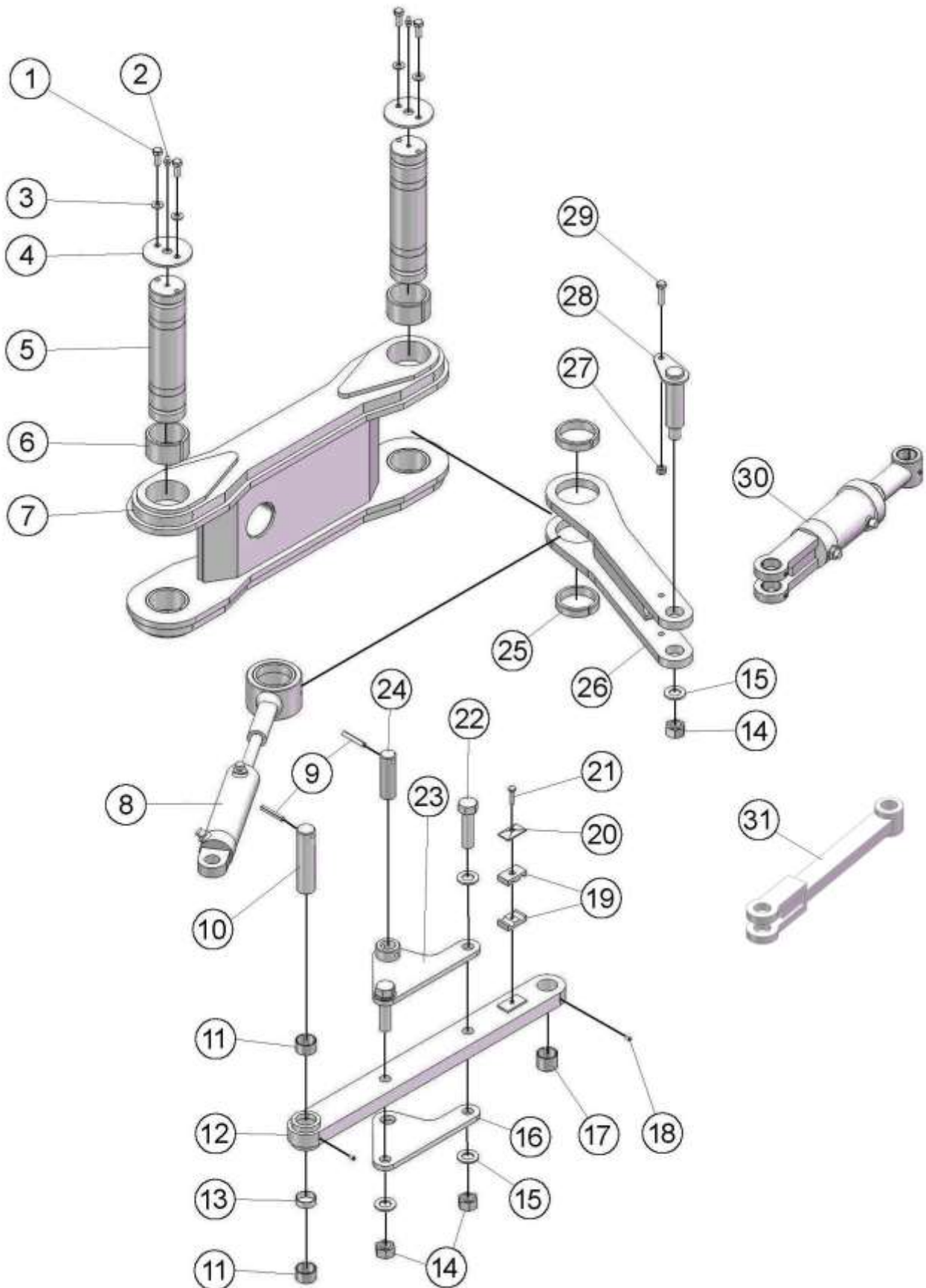
# **HEADSTOCK ASSEMBLY**



# **HEADSTOCK ASSEMBLY**

ITEM	PART N°	DESCRIPTION	QTY
1	1156300	Handle	2
2	900115	Self Locking Nut 3/8" UNF	2
3	1320500	Verticality Screw	2
4	900027	Bolt 3/8" UNF x 2 1/2"	2
5	901022	Bolt M8 x 35	1
6	901826	Cover Plate	2
7	901027	Bolt M8 x 60	1
8	901802	Hose Clamp (As Half)	6
9	1515400	Top Ram Pin	1
10	1594200	Turnover Arm	1
11	901981	Locking Nut M16	2
12	903494	Setscrew M16 x 80	2
13	900542	Spring Pin 10x 60	2
14	1373300	Bottom Ram Pin	1
15	1485000	Bearing Butt Ring	1
16	901536	Seal	2
17	901529	Bearing	2
18	1594000	Headstock	1
19	1362000	Lower Link Pin (Cat 3)	2
19a	1544700	Lower Link Pin (Cat 2/3)	-
20	1275100	Spacer Ring	2
21	900527	Linch Pin	5
22	1485500	Pulling Nut	1
23	901080	Bolt M12 x 140	1
24	1482900	Headstock Transport Latch	2
25	900521	'R' Clip	2
26	1588400	Top Link Reducer Sleeve (Cat3-2)	1
27	1362100	Top Link Pin (Cat 3)	1
27a	1588300	Top Link Pin (Cat 2)	
28	900185	Plain Washer 1 1/4" (Cat 3 Only)	1
29	901189	M12 Plain Washer	2
30	900783	M12 Nyloc Nut	1
31	900431	Grease Nipple 1/4" UNF	2
32	1544800	Bottom Link Reducer Sleeve (Cat3-2)	2

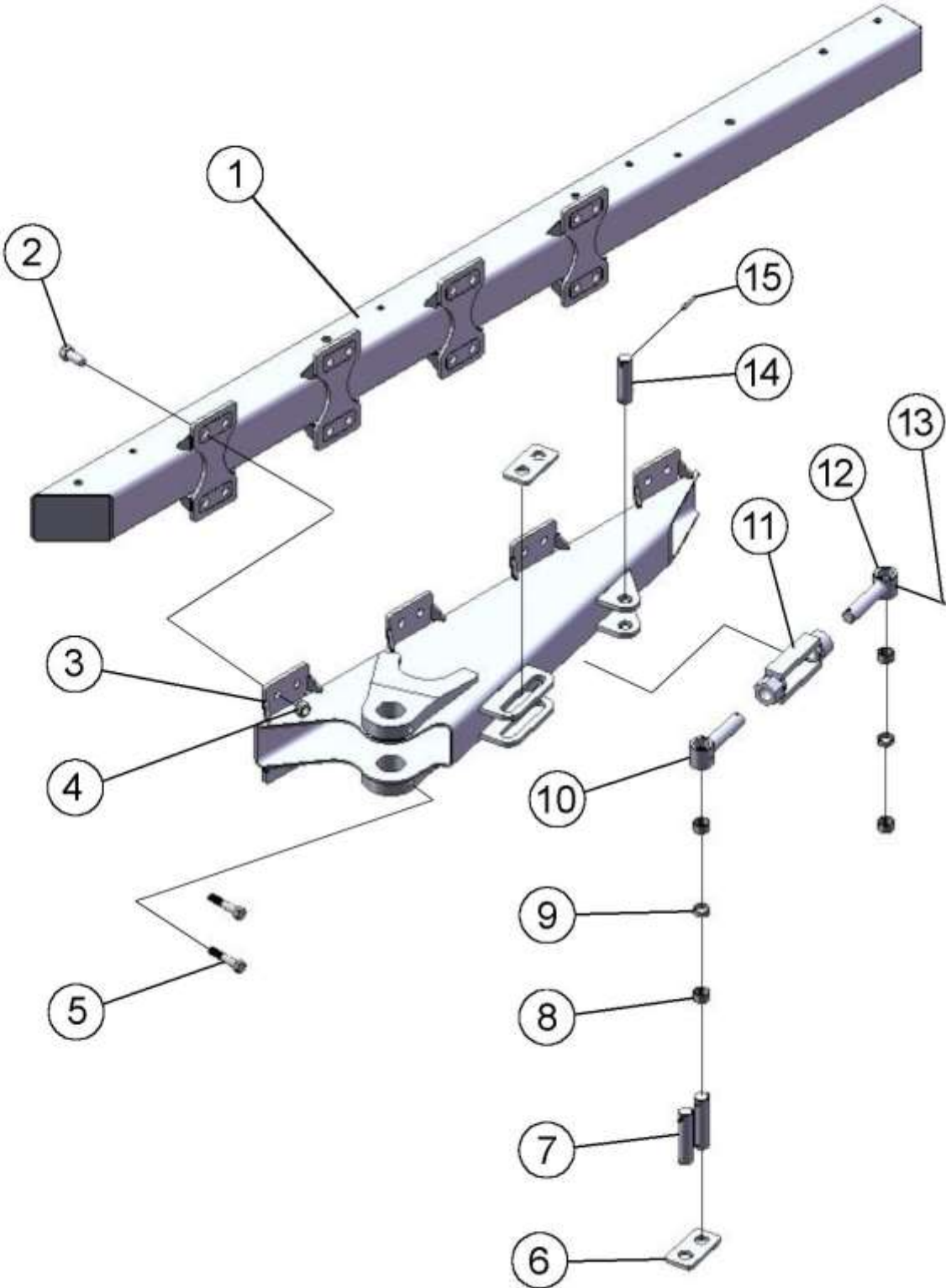
# **PARALLEL LINK ASSEMBLY**



# **PARALLEL LINK ASSEMBLY**

ITEM	PART N°	DESCRIPTION	QTY
1	901308	Setscrew M12 x 30	8
2	900436	Grease Nipple	4
3	901189	Spring Washer M12	8
4	1356500	Retaining Plate	4
5	1596500	Main Link Pin	2
6	903159	Internal Tension Bush 75 x 50	4
7	1606300	Main Link	1
8	-	Offset Ram Assembly (see separate page)	-
9	900542	Roll Pin 10 x 50	2
10	1487000	Ram Eye Pin	1
11	900376	Internal Tension Bush 38 x 25	2
12	1623700	Parallel Link	1
13	1547900	Bush Spacer	1
14	900786	Self-Locking Nut M24	3
15	901610	Plain Washer M24	5
16	1623898	Offset Ram Mounting (RH)	1
17	903502	Internal Tension Bush 38 x 30	1
18	900431	Grease Nipple 1/4"	2
19	901802	Hose Clamp (As Half)	2
20	901826	Cover Plate	1
21	901022	Bolt M8 x 35	1
22	901141	Bolt M24 x 90	2
23	1623899	Offset Ram Mounting (LH)	1
24	1624300	Ram Pin (Offset)	1
25	903147	Internal Tension Bush 75 x 20	2
26	1623900	Rear Cross Link	1
27	900783	Self-Locking Nut M12	1
28	1624100	Parallel Link Pin	1
29	901066	Bolt M12 x 40	1
30	-	Sequencing Ram Assembly (see separate page)	-
31	1625400	Non-Sequencing Bar (Option)	-

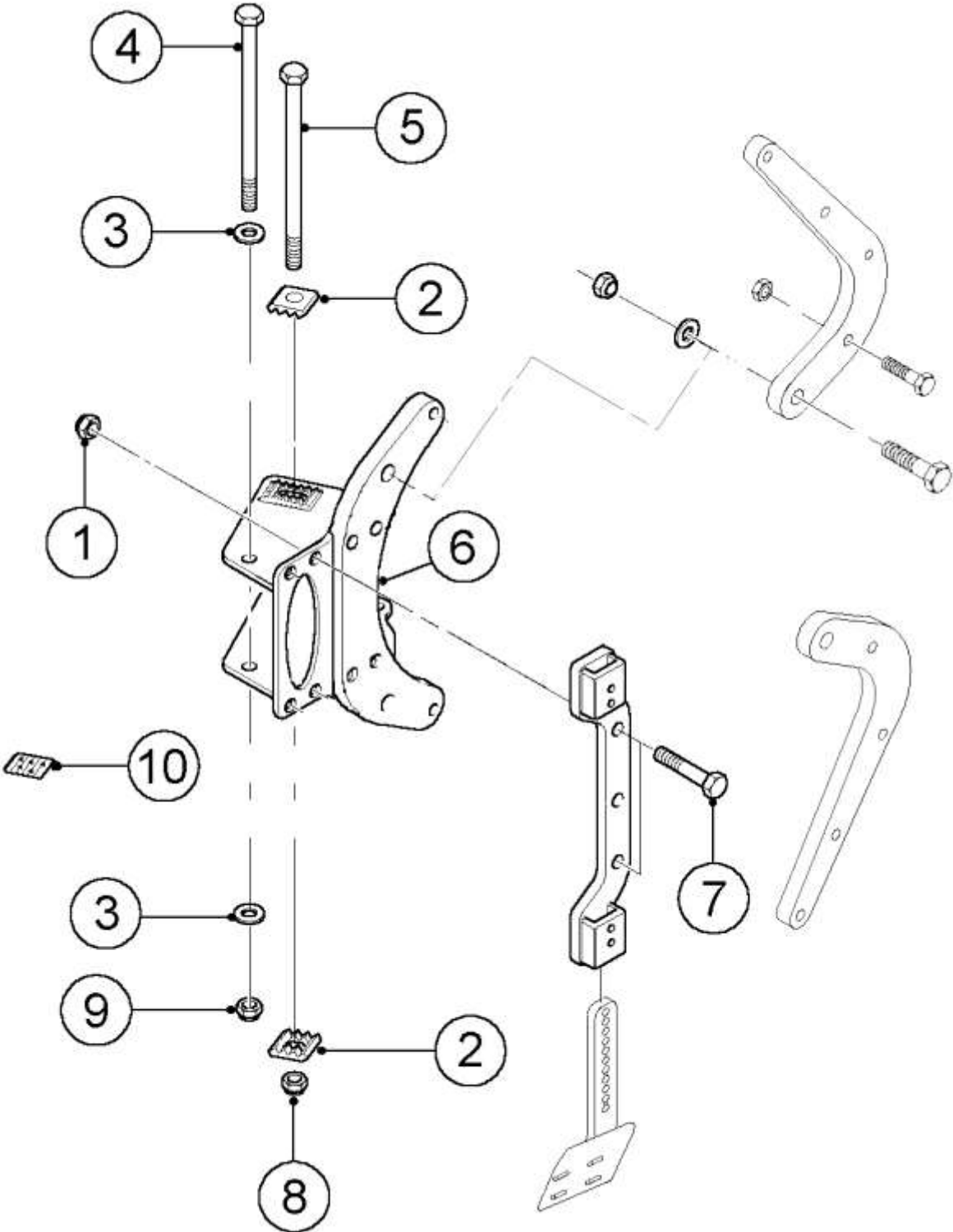
# MAIN BEAM ASSEMBLY



# **MAIN BEAM ASSEMBLY**

ITEM	PART N°	DESCRIPTION	QTY
1	1623000	Main Beam 4F MA	-
	1623100	Main Beam 5F MA	-
	1623200	Main Beam 6F MA	-
2	903256	Bolt M24 x 50	16
3	1623600	Stub Beam	1
4	903276	Self-Locking Nut M24	16
5	903494	Setscrew M16 x 50	2
-	901981	Locknut M16	2
6	1624200	Slide Capping	2
7	1624400	Slide Pin	2
8	900376	Tension Bush	4
9	1547900	Bush Spacer	2
10	1586000	Turnbuckle Screw (RH)	1
11	1582300	Turnbuckle Body	1
12	1624600	Turnbuckle Screw (LH)	1
13	900431	Grease Nipple 1/4" Straight	4
14	1624500	Turnbuckle Pin	1
15	900542	Spring Pin 10 x 60	6

# **MA LEG BRACKET ASSEMBLY**

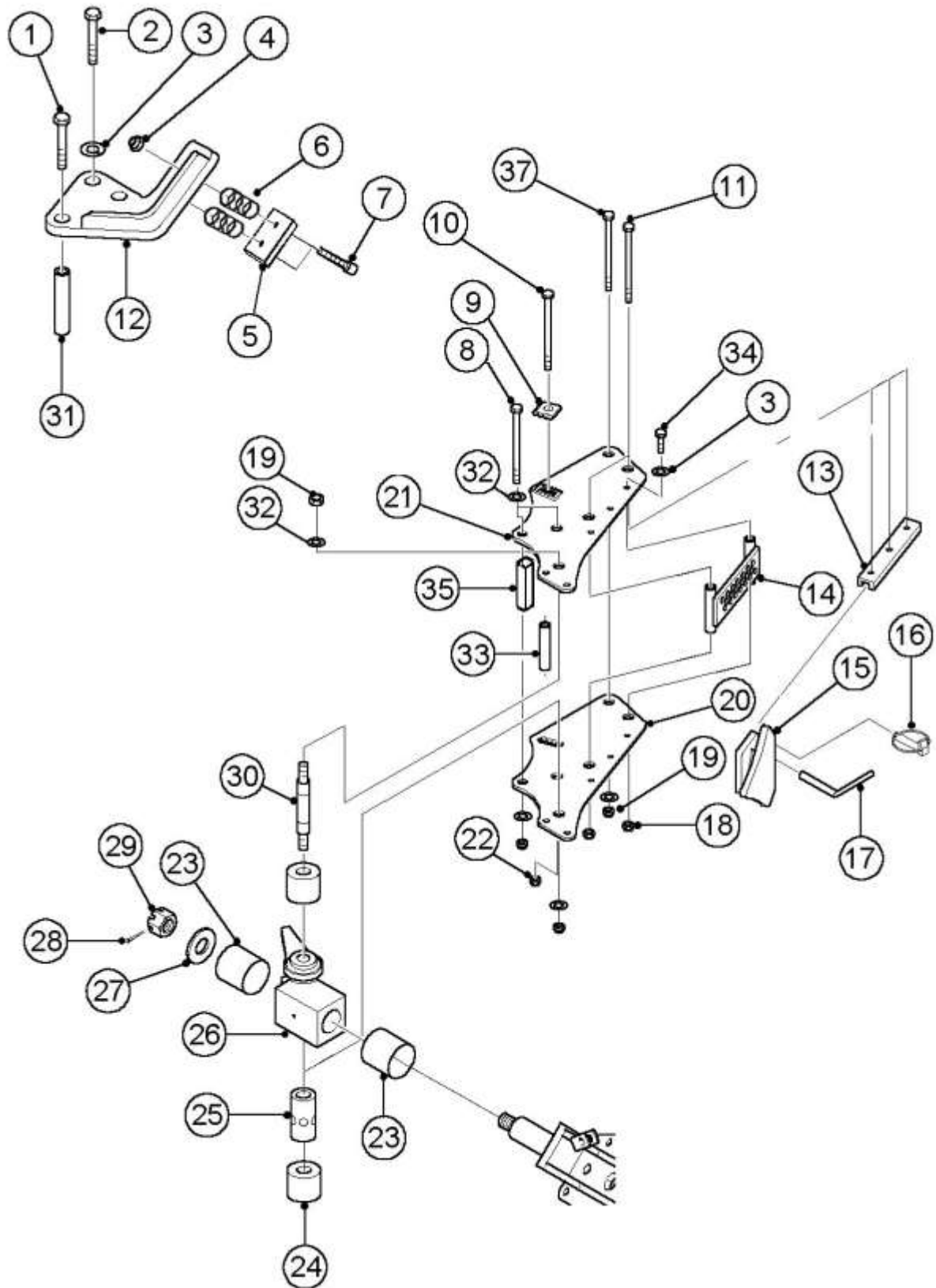




# **MA LEG BRACKET ASSEMBLY**

ITEM	PART N°	DESCRIPTION	QTY
1	900786	Self-Locking Nut M24	2
2	1022700	Serrated Width Adjuster	2
3	901610	Plain Washer M24	4
4	901150	Bolt M24 x 200	1
5	901124	Bolt M24 x 240	1
6	1624700	MA Leg Bracket	1
7	903268	Bolt M24 x 60	2
8	900785	Self-Locking Nut M20	1
9	900786	Self-Locking Nut M24	1
10	1620800	Furrow Width Decal	1

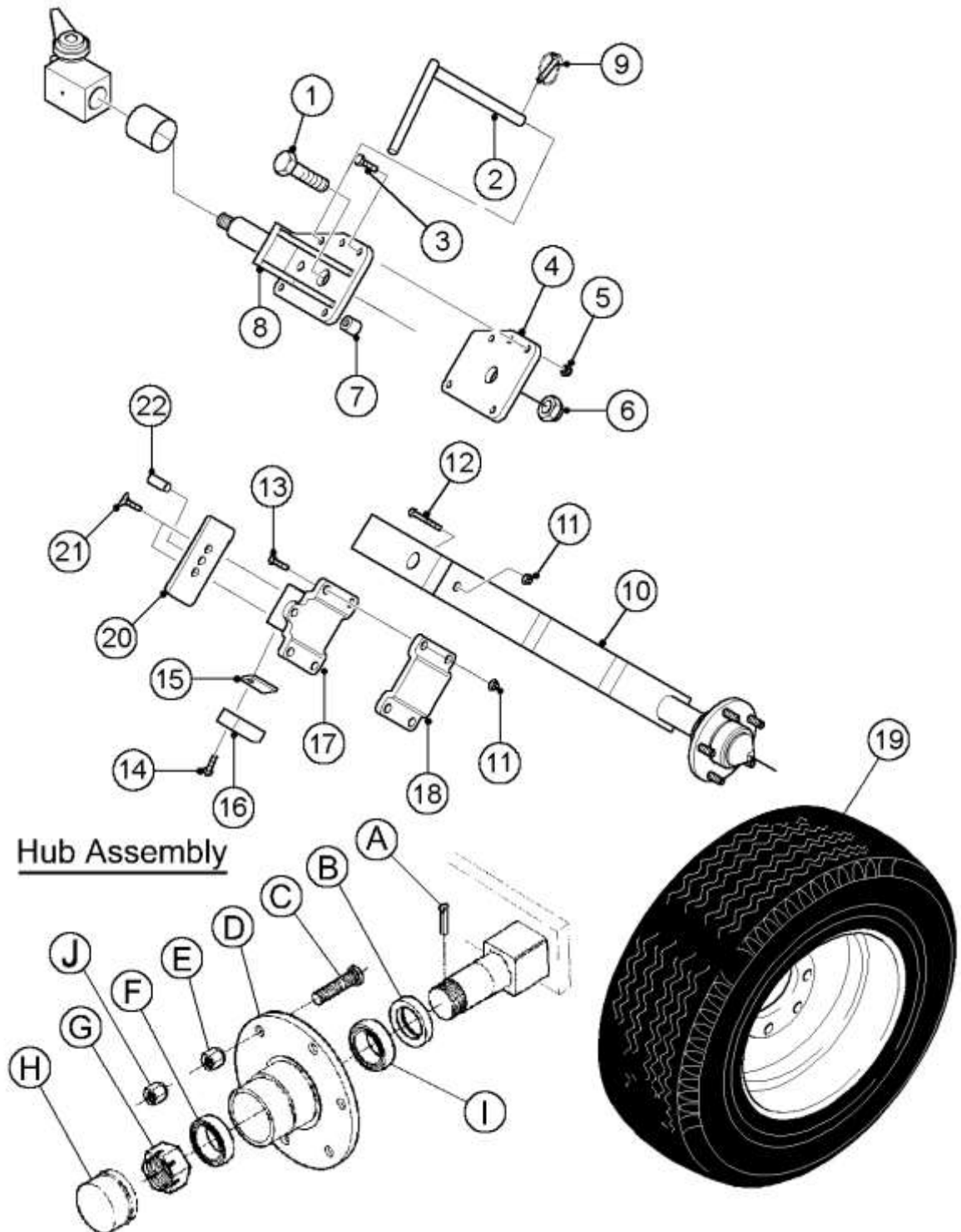
# **D/T WHEEL BRACKET**



## **D/T WHEEL BRACKET**

ITEM	PART N°	DESCRIPTION	QTY
1	901104	Bolt M16 x 280	1
2	901330	Set Screw M16 x 35	4
3	901191	Spring Washer M16	10
4	900783	Self-Locking Nut M12	4
5	1588900	Bump Stop Plate	2
6	900455	Spring	4
7	901505	C'sunk Square Bolt M12 x 80	4
8	903136	Bolt M24 x 260	2
9	1022700	Serrated Width Adjuster	2
10	901124	Bolt M20 x 240	1
11	903138	Bolt M16 x 250	2
12	1489499	Wheel Bump Stop (LH)	1
-	1489498	Wheel Bump Stop (RH)	1
13	1483500	Adjuster Slide Rail	2
14	1483600	Adjuster Locator	1
15	1483300	Depth Adjuster	1
16	900527	Linch Pin	1
17	1484300	Depth Locator Pin	1
18	900784	Self-Locking Nut M16	3
19	900786	Self-Locking Nut M24	5
20	1602298	Wheel Mounting (RH)	1
21	1602299	Wheel Mounting (LH)	1
22	900785	Self-Locking Nut M20	1
23	903151	Plain Metal Bearing	2
24	900389	Plain Metal Bearing	2
25	1484000	Wheel Swivel Spacer	1
26	1476900	Wheel Swivel	1
27	1498300	Special Washer	1
28	901917	Split Cotter Pin	1
29	901556	Hexagonal Slotted Nut M24	1
30	1483400	Wheel Swivel Pin	1
31	1489600	Bump Stop Support	1
32	901610	Plain Washer M24	8
33	1484100	Swivel Limit	1
34	901329	Set Screw M16 x 30	4
35	1556000	Adjustable Swivel Limit	1
36	901330	Set Screw M16 x 35	2
37	901151	Bolt M24 x 210	1

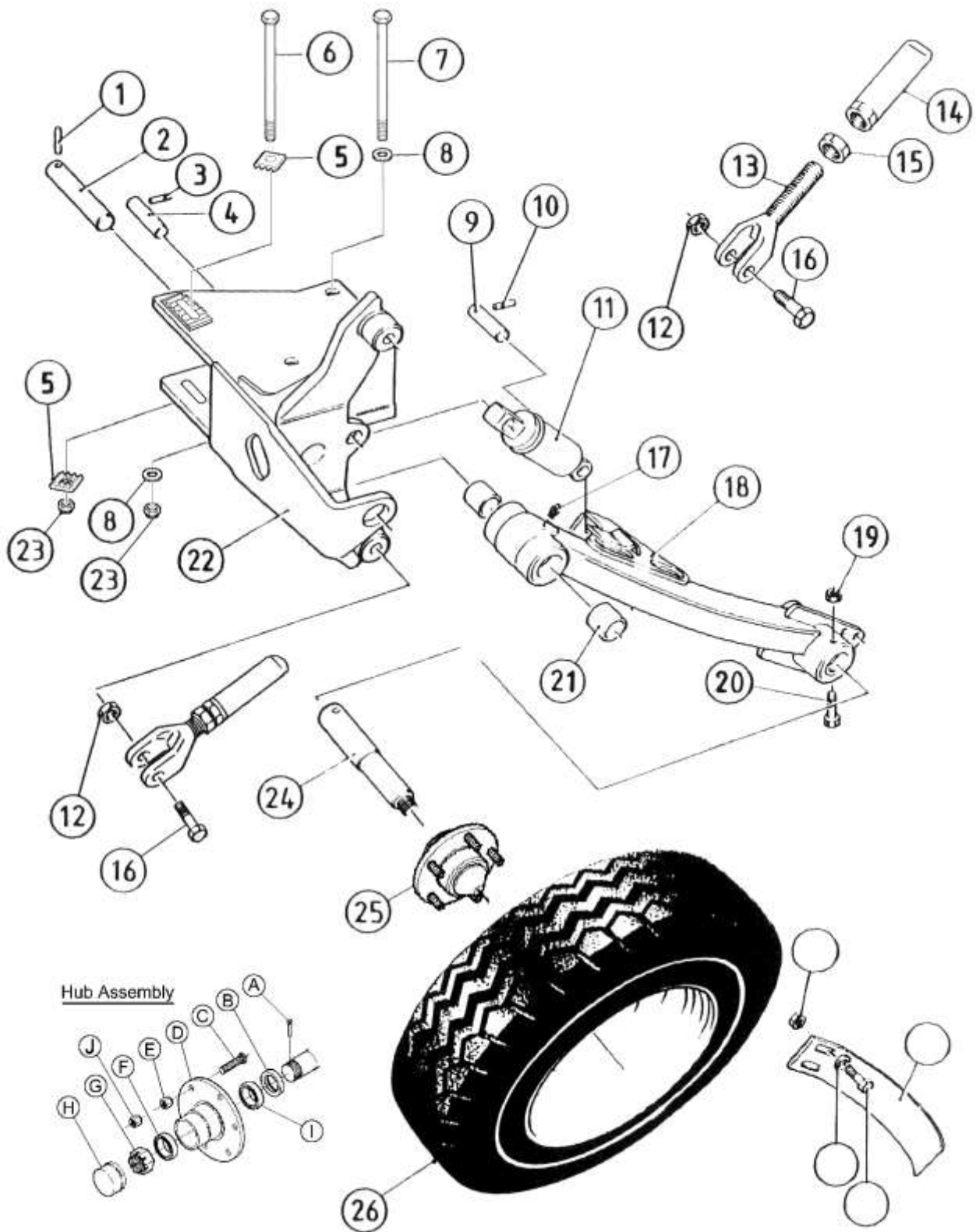
# **D/T WHEEL ARM**



## **D/T WHEEL ARM OPTION**

ITEM	PART N°	DESCRIPTION	QTY
1	901141	Bolt M24 x 90	1
2	1484200	Wheel Transport Pin	1
3	901089	Bolt M16 x 90	3
4	1484800	Wheel Arm Clevis Plate	1
5	900784	Self-Locking Nut M16	3
6	900786	Self-Locking Nut M24	1
7	1484900	Clevis Spacer Boss	3
8	1483200	Wheel Pivot	2
9	900528	Linch Pin	1
10	1606600	Wheel Arm	1
11	900783	Self-Locking Nut M12	5
12	901070	Bolt M12 x 60	1
13	901067	Bolt M12 x 45	4
14	903453	Socket Cap Screw M10 x 35	2
15	1485600	Depth Equalizing Strip	2
16	1483700	Depth Striker	2
17	1534100	Depth Striker Mounting	1
18	1483900	Depth Striker Clamp	1
19	1566000	Wheel Assembly 11.5/80 – 15.3	1
20	1518100	Keep Plate	1
21	901199	Countersunk Socket Screw M12 x 35	2
22	1520600	Dowel Pin	1
A	1607800	'D' Spring Clip	1
B	1523800	Dirt Seal	1
C	1497400	Wheel Stud M16 x 1.5	5
D	1608200	Wheel Hub	1
E	1497500	Wheel Nut M16 x 1.5	5
F	1497600	Tapered Roller Bearing (small)	1
G	1607700	Slotted Nut	1
H	1497800	Hub Cap	1
I	232100	Tapered Roller Bearing (Large)	1
J	903274	Self-Locking Nut M16	5

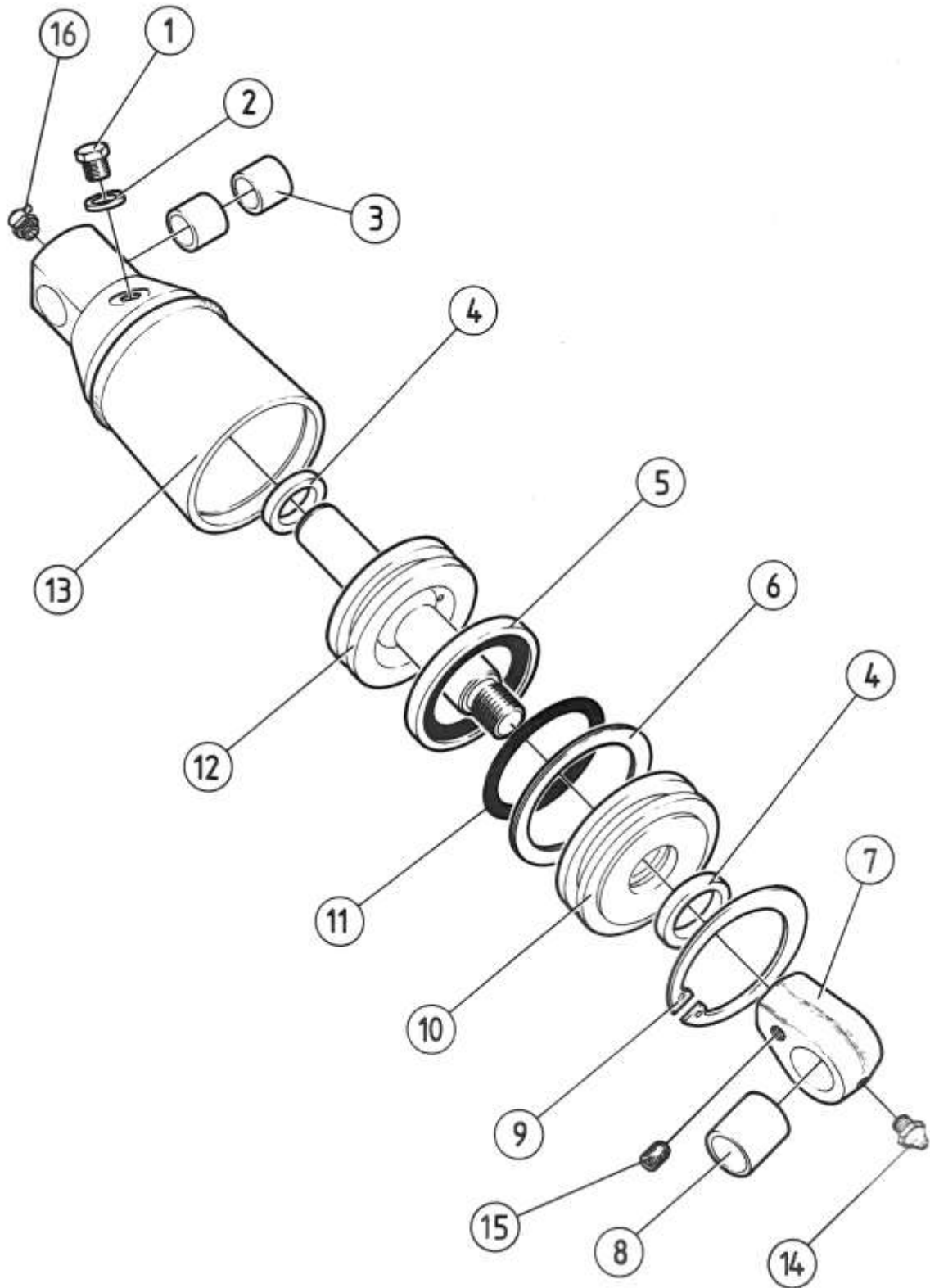
# **DEPTH ONLY WHEEL OPTION**



## **DEPTH ONLY WHEEL OPTION**

ITEM	PART N°	DESCRIPTION	QTY
1	900542	Spring Pin 10 x 60	1
2	1229700	Pivot Pin	1
3	900293	Spring Pin 5/16" x 2.5"	1
4	1247200	Damper Top Pin	1
5	1022700	Serrated Width Adjuster	2
6	901124	Bolt M20 x 240	1
7	901121	Bolt M20 x 200	1
8	901607	Plain Washer M20	2
9	1167700	Damper Bottom Pin	1
10	900551	Spring Pin 8 x 40	1
11	-	Wheel Damper (see separate page)	-
12	900120	Self-Locking Nut 5/8" UNC	2
13	199700	Depth Stop Screw	2
14	265900	Depth Stop Tube (Long)	2
15	900109	Lock Nut 1" UNF	2
16	900869	Bolt 5/8" x 3"	2
17	900431	Grease Nipple	2
18	1595700	Wheel Arm	1
19	900783	Self-Locking Nut M12	1
20	901074	Bolt M12 x 80	1
21	900348	Internal Tension Bush	2
22	1595900	Wheel Mounting Bracket	1
23	900785	Self-Locking Nut M20	2
24	1619700	Stub Axle	1
25	-	Wheel Hub Assembly (see A-J below)	-
26	1566000	Wheel Assembly	1
-	903051	Wheel Rim	-
-	901741	Tyre (11.5/80 – 15.3)	-
A	1607800	'D' Spring Clip	1
B	1497200	Dirt Seal	1
C	1497400	Wheel Stud M16 x 1.5	5
D	1608200	Wheel Hub	1
E	1497500	Wheel Nut M16 x 1.5	5
F	1497600	Tapered Roller Bearing (small)	1
G	1607700	Slotted Nut	1
H	1497800	Hub Cap	1
I	232100	Tapered Roller Bearing (Large)	1
J	903274	Self-Locking Nut M16 x 1.5	5

# **DEPTH ONLY DAMPER OPTION**

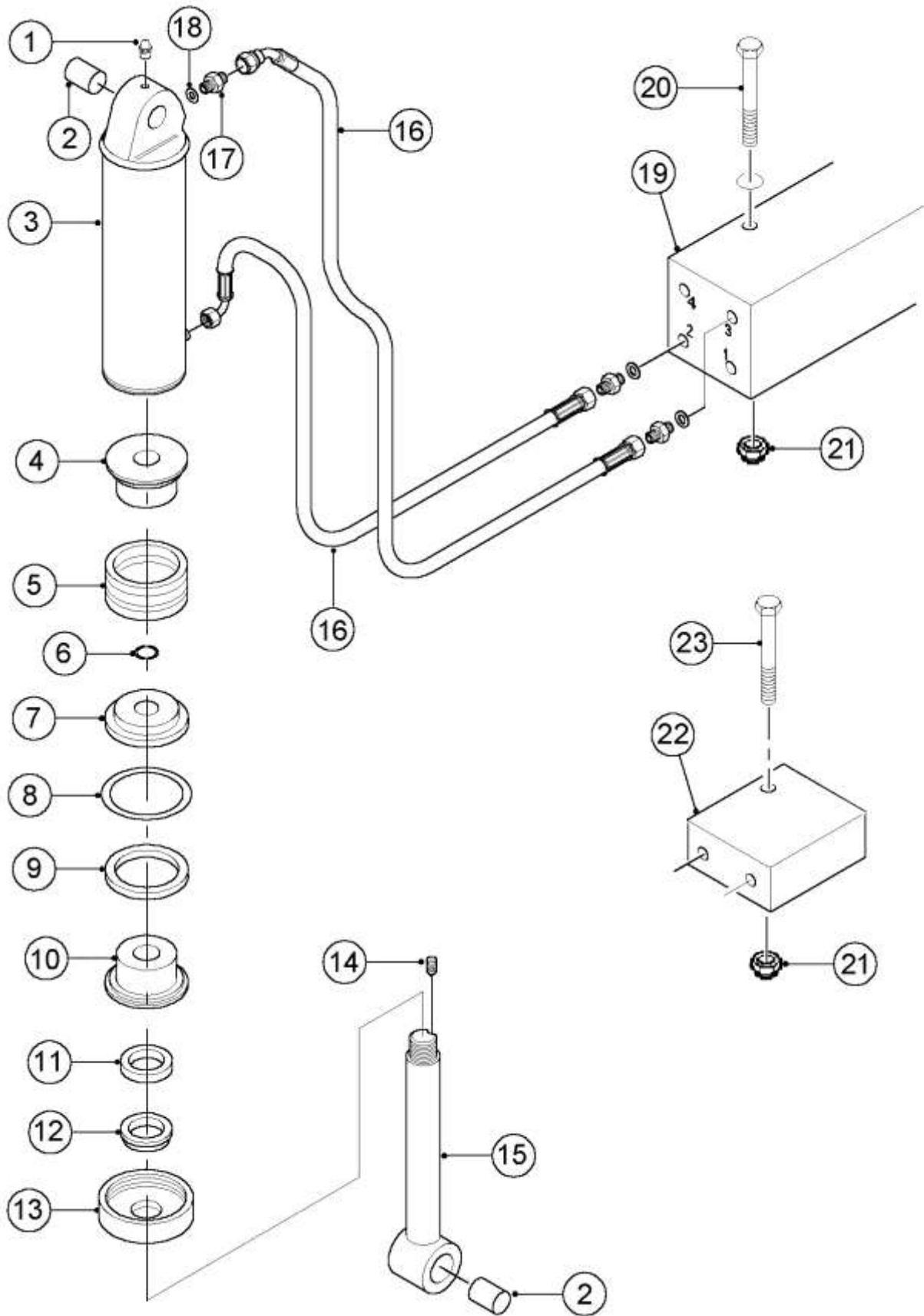




## **DEPTH ONLY DAMPER OPTION**

ITEM	PART N°	DESCRIPTION	QTY
1	900021	Setscrew 3/8" UNF x 3/8"	1
2	900306	Dowty Washer 1/4" BSP	1
3	900381	Internal Tension Bush	2
4	900225	Single Acting Seal	2
5	900247	Composite Seal	1
6	900805	Back-Up Ring	1
7	197200	Rod Eye	1
8	900377	Internal Tension Bush	1
9	900772	Circlip	1
10	198400	End Bung	1
11	900210	'O' Ring	1
12	264300	Piston Rod Assembly	1
13	198800	Cylinder Assembly	1
14	900431	Grease Nipple Straight	1
15	900154	Grub Screw 1/4" UNF x 1/4"	1
16	9004341	Grease Nipple 90°	1
-	198300	Damper Assembly	-
-	1029900	Seal Set	-

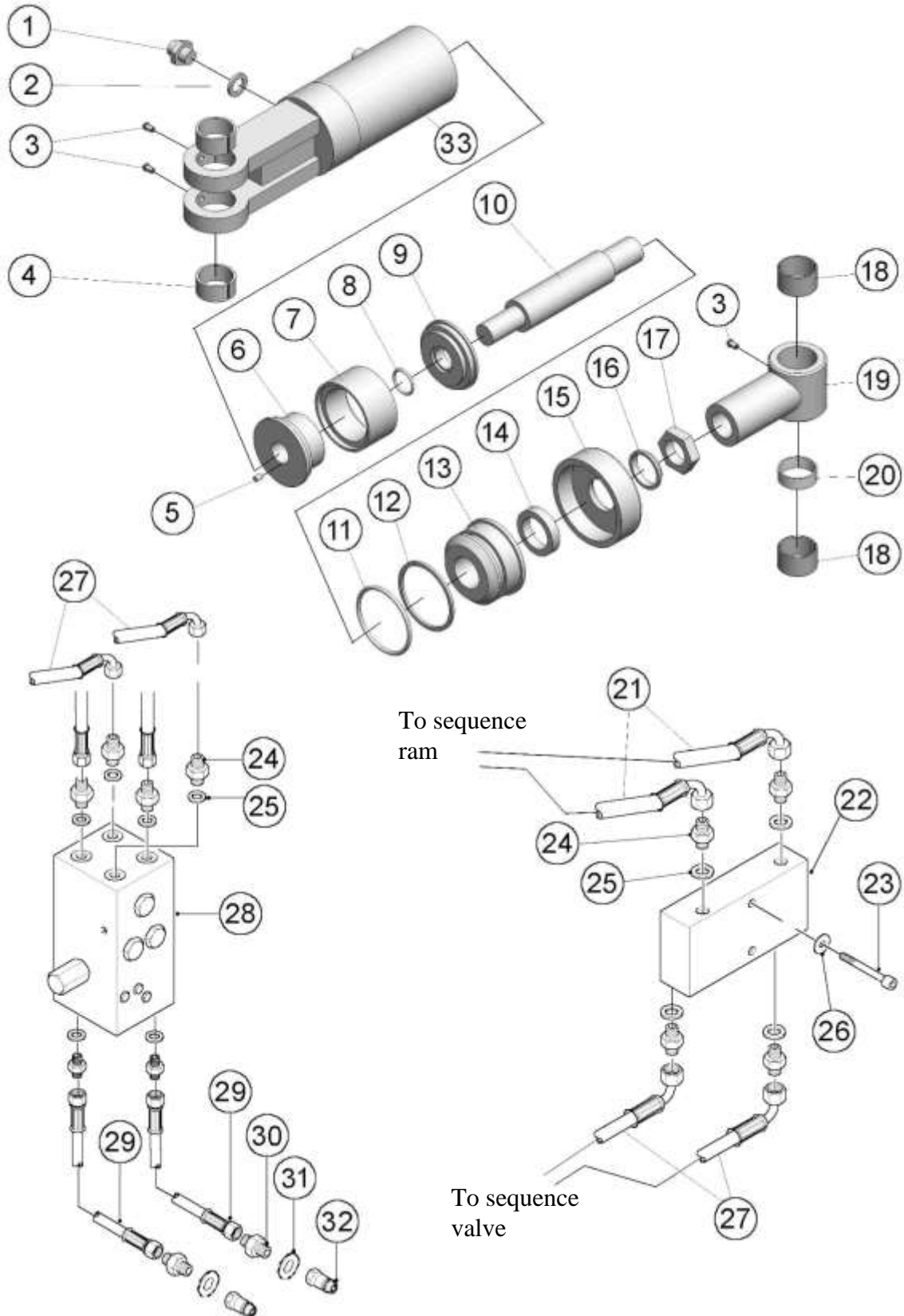
# **TURNOVER HYDRAULICS**



# **TURNOVER HYDRAULICS**

ITEM	PART N°	DESCRIPTION	QTY
1	900431	Grease Nipple ¼” UNF Straight	2
2	900373	Plain Metal Bearing	2
3	161800	Cylinder Assembly	1
4	006300	Piston	1
5	900241	Seal Assembly	1
6	900204	‘O’ Ring	1
7	006400	Annulus	1
8	900203	‘O’	1
9	900801	Back-up Ring	1
10	006500	End Plug	1
11	900221	Single Acting Seal	1
12	900261	Wiper Seal	1
13	006600	End Cap	1
14	900151	Socket Set Screw ¼” UNF	1
15	018700	Piston Rod	1
16	043000	Hydraulic Hose Assembly	2
17	900391	Adapter 3/8” BSP	1
18	900301	Dowty Washer 3/8” BSP	1
19	1484600	Sequence Valve	1
20	901034	Bolt M8 x 110	1
21	900781	Self-Locking Nut M8	1
22	1534200	Turnover valve (option)	-
23	901044	Bolt M8 x 75 (option)	-
-	161700	Ram Assembly	
-	052500	Seal Kit	

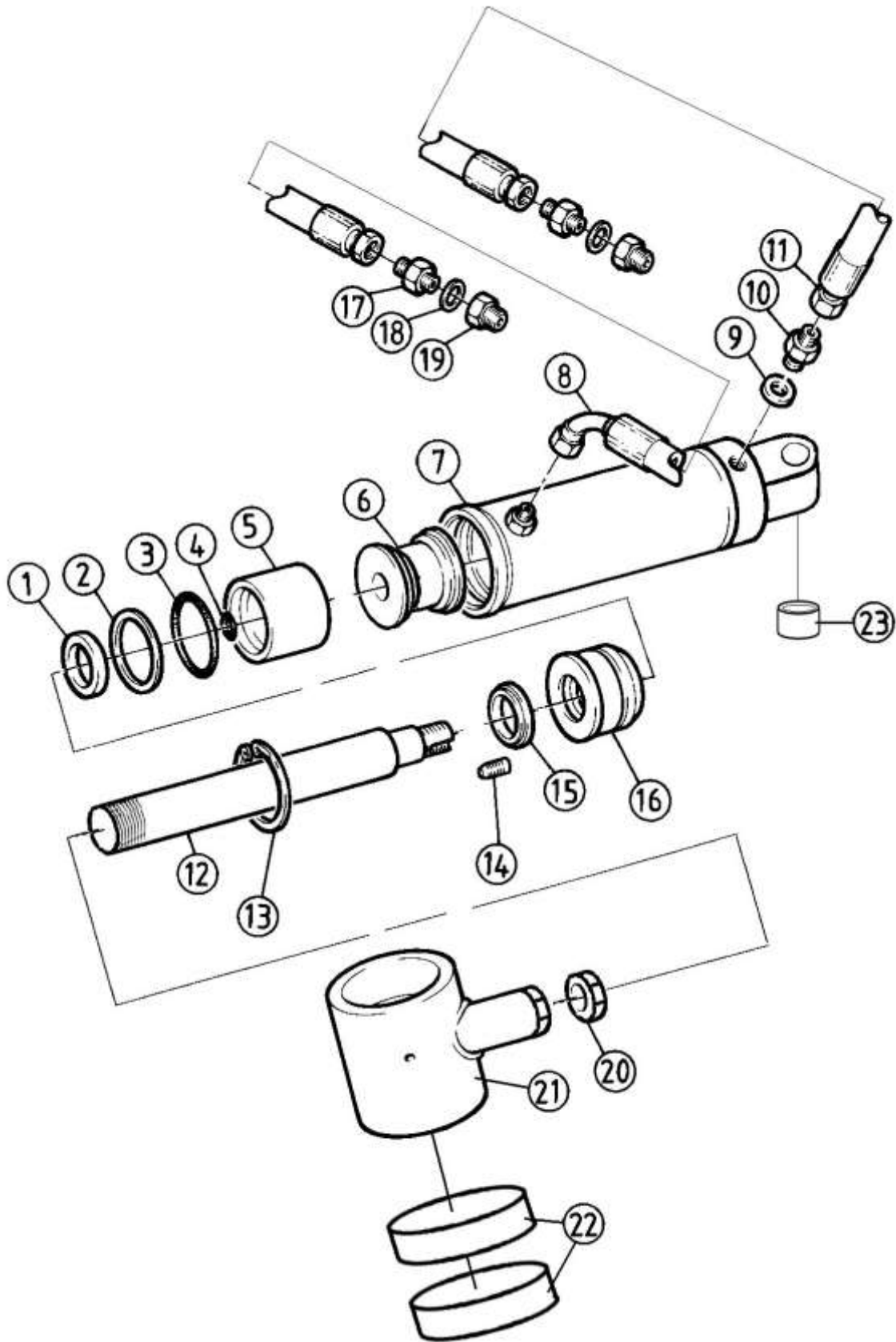
# **SEQUENCING HYDRAULICS**



# **SEQUENCING HYDRAULICS**

ITEM	PART N°	DESCRIPTION	QTY
1	900391	Adapter 3/8" BSP	1
2	900301	Dowty Washer 3/8" BSP	1
3	900431	Grease Nipple 1/4"	3
4	903503	Internal Tension Bush 38 x 20	2
5	900151	Socket Set Screw 1/4" UNF	1
6	006300	Piston	1
7	900241	Double Acting Seal	1
8	900204	'O' Ring	1
9	006400	Annulus	1
10	1625000	Piston Rod	1
11	900203	'O' Ring	1
12	900801	Back-Up Ring	1
13	006500	End Plug	1
14	900221	Single Acting Seal	1
15	006600	End Cap	1
16	900261	Wiper Seal	1
17	901984	Lock-Nut M30	1
18	900376	Internal Tension Bush 38 x 25	2
19	1625100	Sequence Rod Eye	1
20	1547900	Bush Spacer	1
21	1492500	Hydraulic Hose Assembly	2
22	1085900	Check Valve	1
23	901023	Bolt M8 x 40	2
24	900391	Adapter 3/8" BSP	10
25	900301	Dowty Washer 3/8" BSP	10
26	902482	Plain Washer M8	2
27	1492500	Hydraulic Hose Assembly	2
28	-	Sequence Valve (see turnover page)	-
29	008400	Hydraulic Hose Assembly	2
30	900392	Adapter 3/8" - 1/2" BSP	2
31	900302	Dowty Washer 1/2" BSP	2
32	900611	Tractor Quick Coupler	2
33	1624900	Sequence Cylinder	1
-	1624800	Ram Assembly	-
-	052500	Seal Kit	-

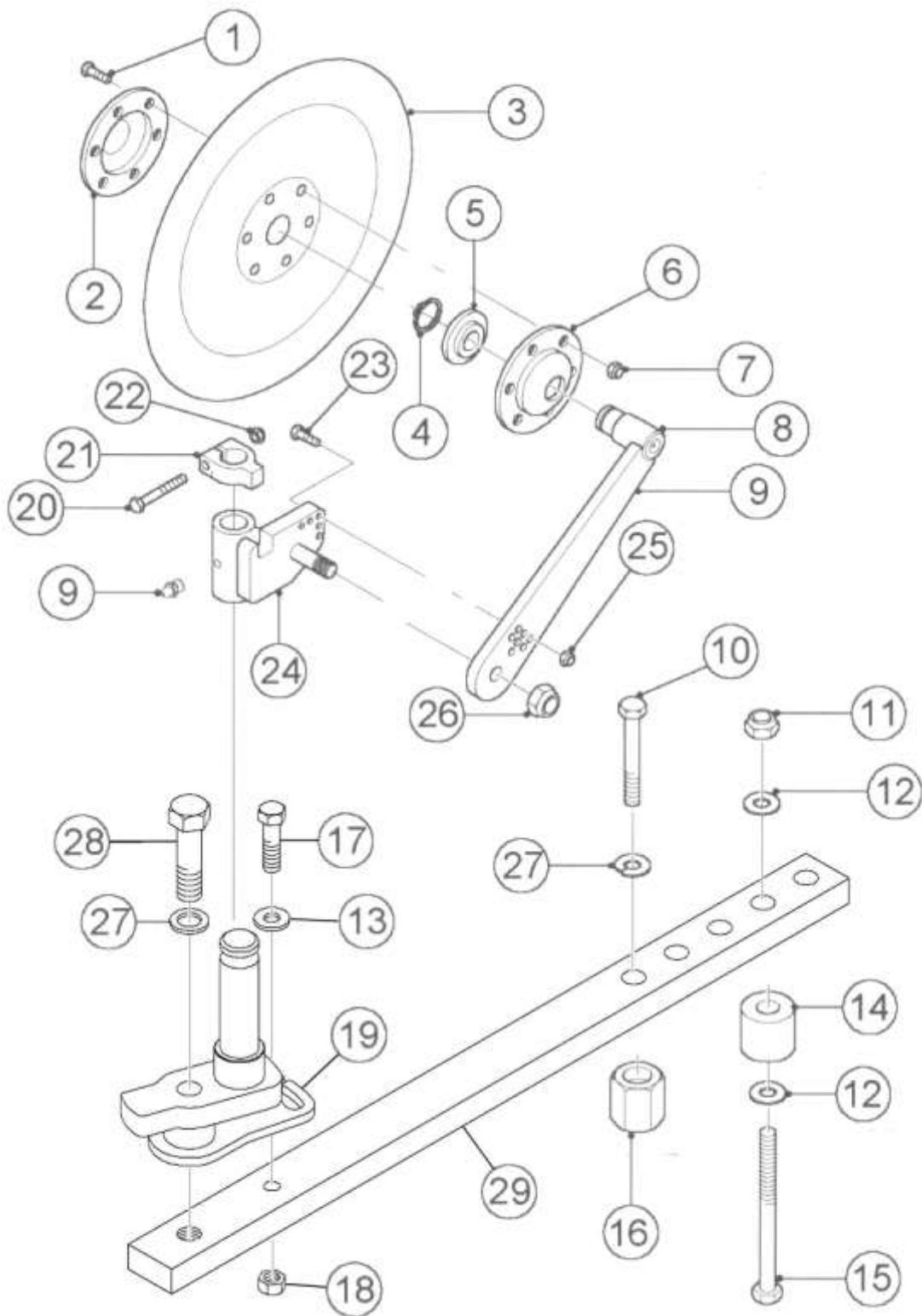
# **OFFSET HYDRAULICS**



# **OFFSET HYDRAULICS**

ITEM	PART N°	DESCRIPTION	QTY
1	900225	Single Acting Seal	1
2	900805	Back- Up Ring	1
3	900210	'O' Ring	1
4	900209	'O' Ring	1
5	900246	Double Acting Seal	1
6	148300	Piston	1
7	1598000	Cylinder Assembly	1
8	1491700	Hydraulic Hose Assembly	1
9	900301	Dowty Washer 3/8" BSP	1
10	900391	Male- Male Adapter 3/8" - 3/8" BSP	1
11	1491700	Hydraulic Hose Assembly	1
12	1092100	Piston Rod	1
13	900722	Internal Circlip	1
14	900151	Socket Set Screw 1/4" UNF	1
15	900263	Wiper Seal	1
16	148200	End Bung	1
17	900392	Male- Male Adapter 3/8" - 1/2" BSP	2
18	900302	Dowty Washer 1/2" BSP	2
19	900611	Tractor Quick Coupler	2
20	900776	Lock Nut M24	1
21	1624000	Offset Ram Eye	1
22	903147	Internal Tension Bush 75 x 20	2
23	900372	Internal Tension Bush 38 x 30	1
-	1597900	Ram Assembly	-
-	151600	Ram Seal Kit	-

# **DISC ASSEMBLY**



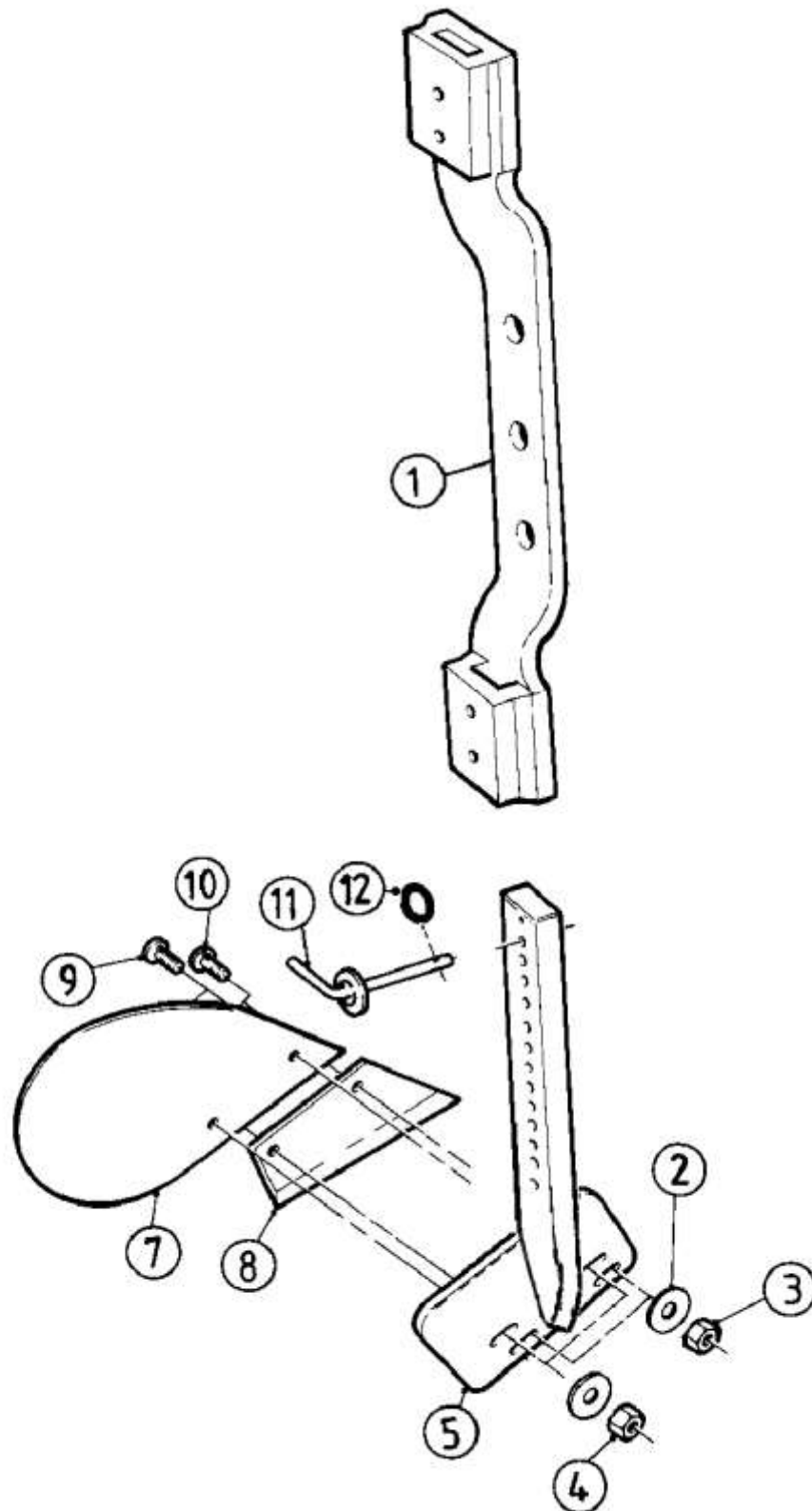


## **DISC ASSEMBLY**

ITEM	PART N°	DESCRIPTION	QTY
1	901263	Set Screw M8 x 30	6
2	054900	Bearing Outer Housing	1
3	052800	Disc 18" Plain	-
-	063800	Disc 18" Cutaway	-
4	900601	External Circlip	1
5	900324	Bearing	1
6	055000	Bearing Inner Housing	1
7	900781	Self Locking Nut M8	6
8	1100200	Disc Arm	1
9	900431	Grease Nipple ¼" UNF	2
10	901381	Set Screw M24 x 55	1
11	903276	Self locking Nut M24	2
12	901610	Plain Washer M24	2
13	902954	Special Washer	1
14	1425500	Spacer Boss	2
15	903258	Bolt M24 x 110	2
16	1467500	Disc Spacer Nut	1
17	901085	Bolt M16 x 65	1
18	900784	Self Locking Nut M16	1
19	1603698	Disc Offset Knuckle (RH)	1
-	1603699	Disc Offset Knuckle (LH)	-
20	901073	Bolt M12 x 75	1
21	1100400	Disc Clamp	1
22	900783	Self Locking Nut M12	1
23	902350	Shearbolt	1
24	1138198	Disc Swivel (RH)	1
-	1138199	Disc Swivel (LH)	-
25	900105	Plain Nut ½" UNF	1
26	900117	Self Locking Nut ¾" UNF	1
27	901195	Spring Washer M24	2
28	901141	Bolt M24 x 90	1
29	1603500	Disc Support Arm	1

Quantities are per hand

# **SKIM ASSEMBLY**

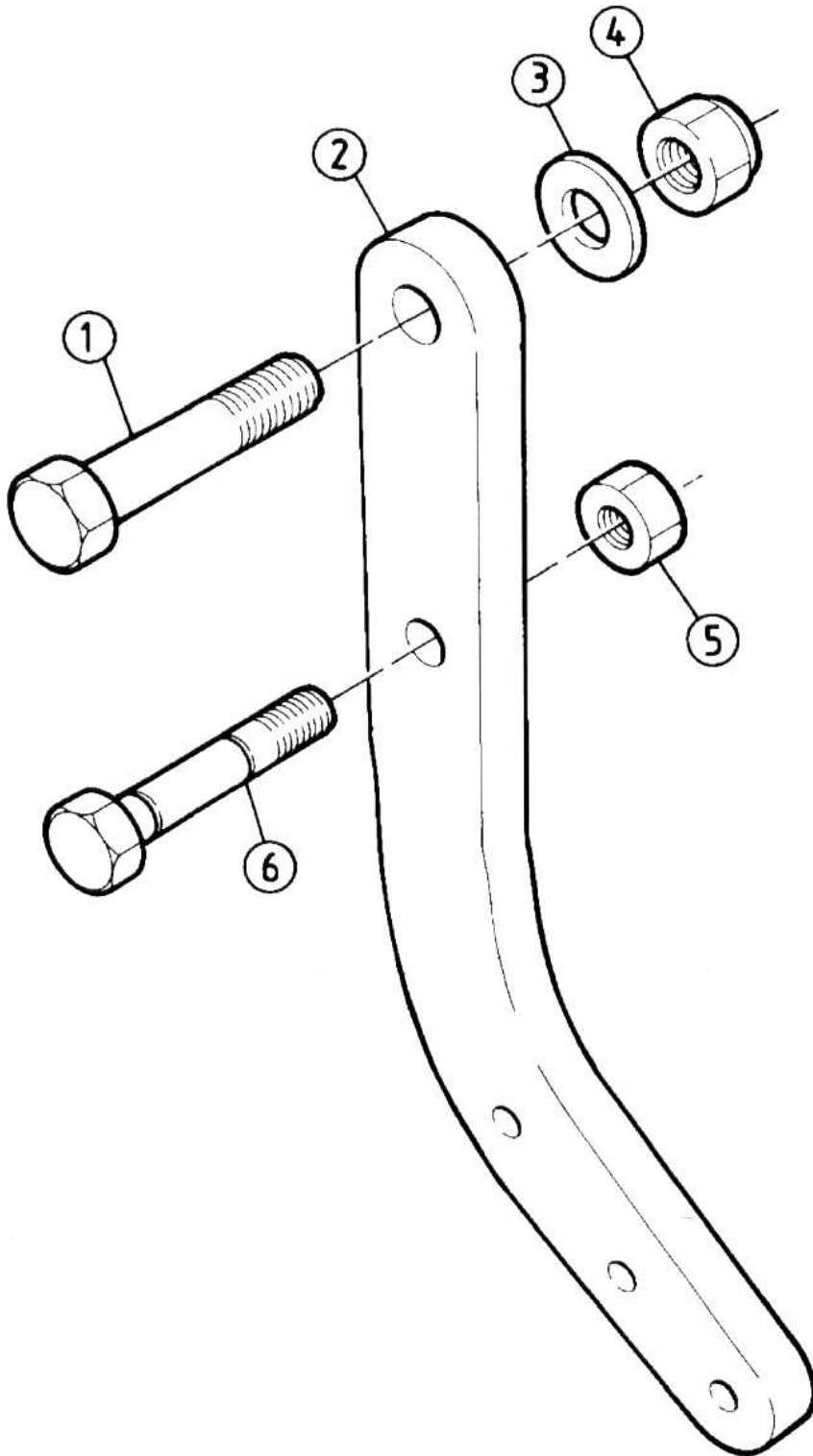


# **SKIM ASSEMBLY**

ITEM	PART N°	DESCRIPTION	QTY
1	1597800	Skim Bracket	1
2	902955	Plain Washer M10 (Special)	4
3	900498	Nut 3/8" UNC	4
4	900103	Nut 3/8" UNF	4
5	1467998	Skim Shank RH	1
	1467999	Skim Shank LH	1
7	1099898	Skim Wing (XL) RH	1
	1099899	Skim Wing (XL) LH	1
8	048098	Skim Point RH	1
	048099	Skim Point LH	1
9	900141	Countersunk Square Bolt	4
10	900810	Taper Head Bolt	4
11	1344100	Locating Pin	2
12	903200	Spring Coil	2

All Quantities are per furrow

# **125 SERIES LEG**



# **125 SERIES LEG**

ITEM	PART N°	DESCRIPTION	QTY
1	902260	Bolt M30 x 100	1
2	-	See Table Below	As Req
3	901608	Plain Washer M30	1
4	903277	Self Locking Nut M30	1
5	900775	Plain Nut M20	1
6	-	Shearbolt (See Separate Page)	-

## **LEG LIST**

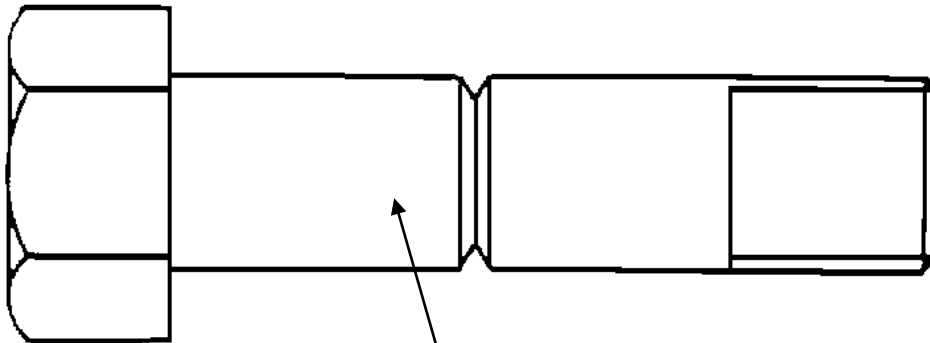
Underbeam Clearance (Inches)	Body Type	Part N°
29.25	DD	1466700
29.00	UCN	1466700
29.75	M-SLAT	1466900
29.25	YCN	1520400

## **125 SERIES LEG SHEARBOLT**

To avoid SERIOUS DAMAGE it is essential that the correct shear bolts are fitted and fitted with the bolt head against the leg.

THE USE OF INCORRECT SHEARBOLTS WILL NULLIFY  
YOUR WARRANTY!

To ease identification, all leg shearbolts are colour coded.



Pink

Part Number – 902347

Supplied with nut inclusive as spare.