

Parts
Manual
105 Series
MR

Important Information

Serial Number

It is important to make a note of the serial number and year of manufacture of your machine in the spaces provided below. This information should always be quoted in any correspondence with Dowdeswell Engineering.

When ordering spares for your machine, you should always quote the serial number and year of manufacture either to Dowdeswell's or to your dealer.

Machine Serial Number: _____

Year of manufacture: _____

Warranty

Should defective material or workmanship used in the manufacture give rise to failure, the products, components or sub-assemblies affected, will be replaced free of charge during the period of warranty offered with the machine at the time of purchase. The fitting of non Dowdeswell parts, or repairs, or modifications carried out by unauthorised persons will invalidate the warranty. No work will be carried out without prior consultation with Dowdeswell Engineering Co. Ltd.

Save to the extent covered by the warranty, the company shall not be liable in any circumstances for any loss, injury or expense, whether direct or indirect, which may arise for any reason whatsoever from any defect in or otherwise in connection with any goods supplied or work done by the company.

Replacement Parts

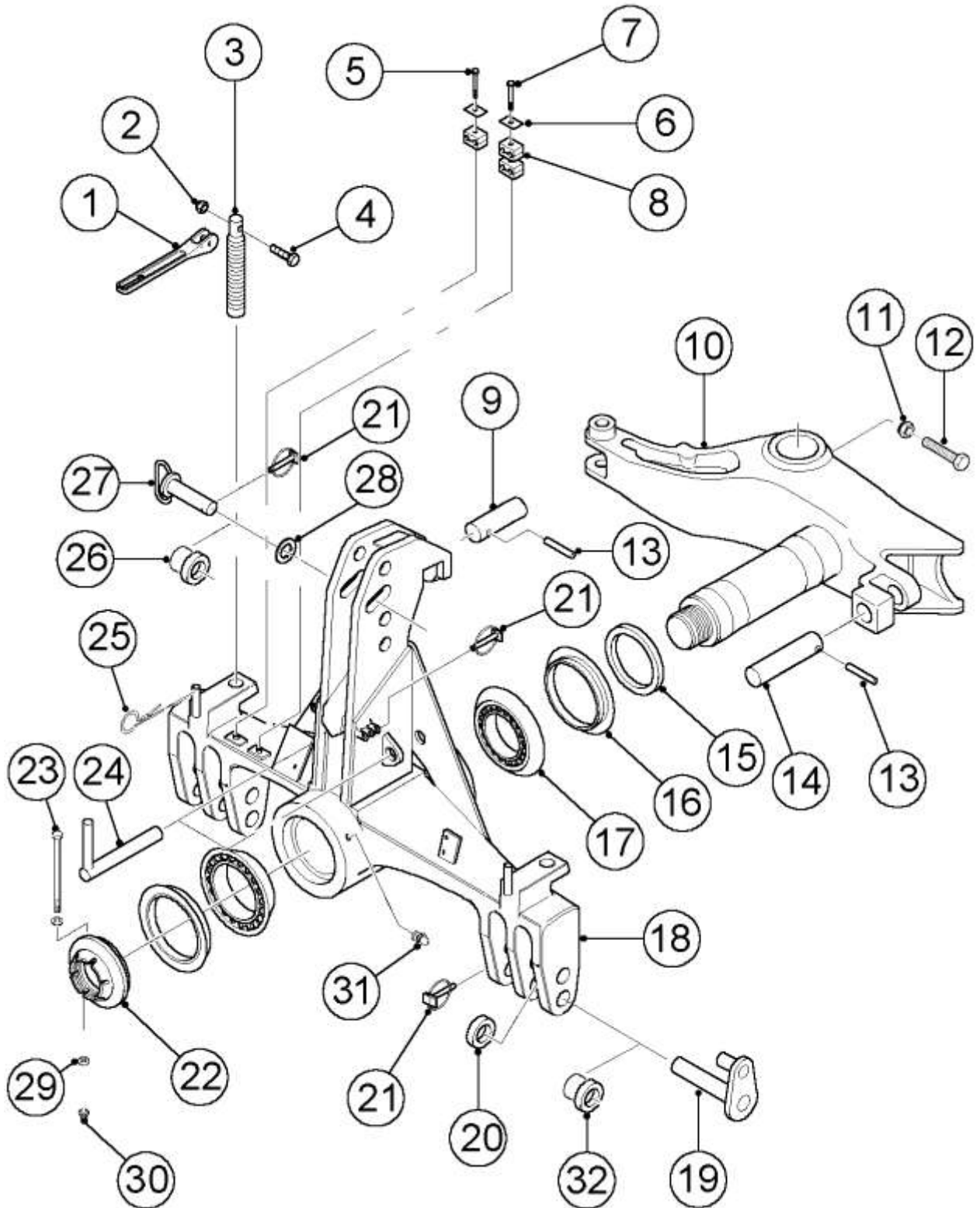
Use only genuine Dowdeswell spares as these replacement parts are designed for your machine to give the best possible performance and also have the full backing of the warranty cover. See the Parts Manual for the part number and description, when ordering spares always quote the machine serial number.

Definitions

Throughout this manual the terms "Front", "Rear", "Left-hand (LH)" and "Right-hand (RH)" will be used and are derived from the tractor drivers normal position facing forward with the plough in its transport position.

The left-hand components are those which move the soil to the left, and the right-hand components are those which move the soil to the right.

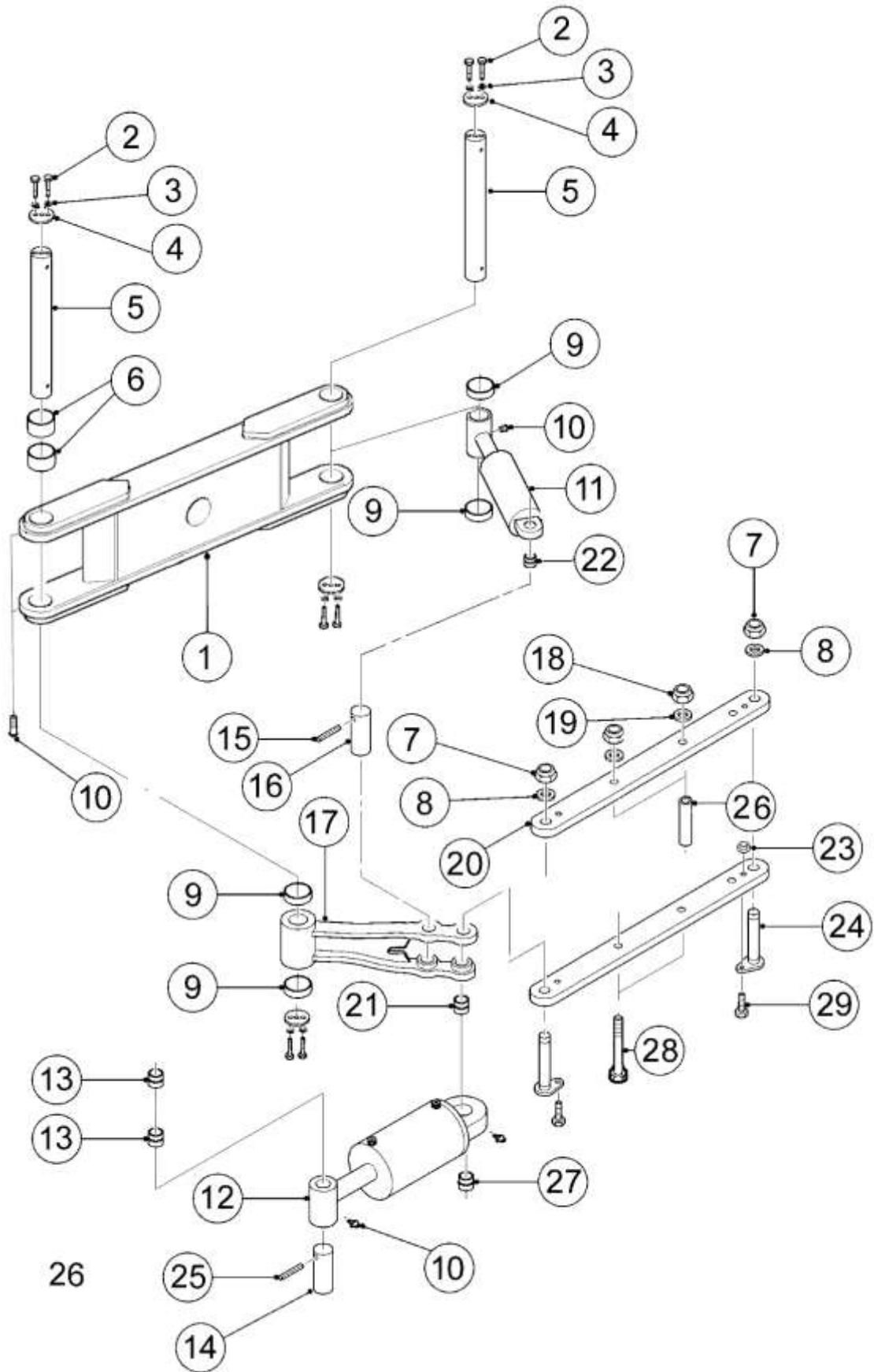
HEADSTOCK ASSEMBLY



HEADSTOCK ASSEMBLY

ITEM	PART N°	DESCRIPTION	QTY
1	1156300	Handle	2
2	900115	Self Locking Nut 3/8" UNF	2
3	1320500	Verticality Screw	2
4	900027	Bolt 3/8" UNF x 2 1/2"	2
5	901022	Bolt M8 x 35	1
6	901826	Cover Plate	2
7	901027	Bolt M8 x 60	1
8	901802	Hose Clamp (As Half)	6
9	1515400	Top Ram Pin	1
10	1606500	Turnover Arm	1
11	901981	Locking Nut M16	2
12	901336	Setscrew M16 x 65	2
13	900542	Spring Pin 10x 60	2
14	1373300	Bottom Ram Pin	1
15	1485000	Bearing Butt Ring	1
16	901536	Seal	2
17	901529	Bearing	2
18	1594000	Headstock	1
19	1362000	Lower Link Pin (Cat 3)	2
19a	1544700	Lower Link Pin (Cat 2/3)	-
20	1275100	Spacer Butt Ring	2
21	900527	Linch Pin	5
22	1485500	Pulling Nut	1
23	901080	Bolt M12 x 140	1
24	1482900	Headstock Transport Latch	2
25	900521	'R' Clip	2
26	1588400	Top Link Reducer Sleeve (Cat3-2)	1
27	1362100	Top Link Pin (Cat 3)	1
27a	1588300	Top Link Pin (Cat 2)	1
28	900185	Plain Washer 1 1/4" (Cat 3 Only)	1
29	901189	M12 Plain Washer	2
30	900783	M12 Nyloc Nut	1
31	900431	Grease Nipple 1/4" UNF	2
32	1544800	Bottom Link Reducer Sleeve (Cat3-2)	2

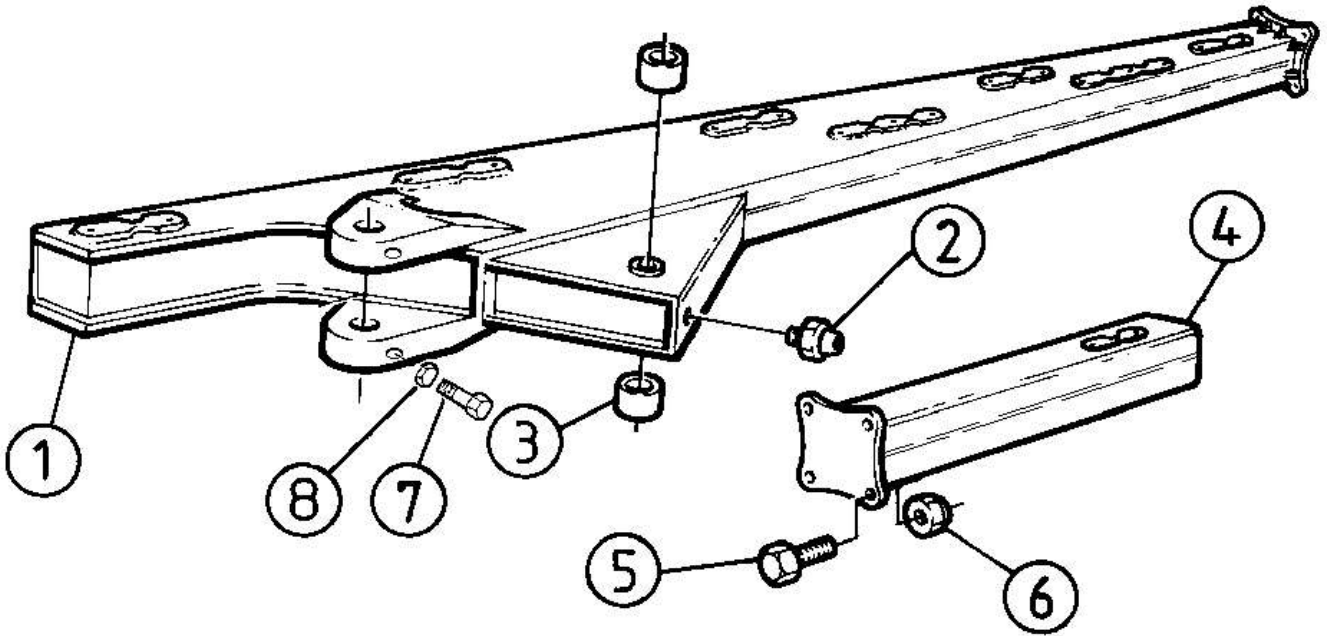
PARALLEL LINK ASSEMBLY



PARALLEL LINK ASSEMBLY

ITEM	PART N°	DESCRIPTION	QTY
1	1606300	Main Link	1
2	901308	Setscrew M12 x 30	8
3	901189	Spring Washer M12	8
4	1356500	Retaining Plate	4
5	1596500	Main Link Pin	2
6	903159	Internal Tension Bush	4
7	900786	Self Locking Nut M24	2
8	901610	Plain Washer M24	2
9	903147	Internal Tension Bush	4
10	900431	Grease Nipple 1/4"UNF	11
11	-	Offset Ram Assembly (see separate page)	-
12	-	Alignment Ram Assembly (see separate page)	-
13	900376	Internal Tension Bush	2
14	1487000	Ram Eye Pin	1
15	900559	Roll Pin 8 x 50	1
16	1596900	Cross Link Pin	1
17	1596800	Cross Link	1
18	900785	Self Locking Nut M20	2
19	901607	Plain Washer M20	4
20	1596600	Parallel Link Plate	2
21	903150	Internal Tension Bush	2
22	900372	Internal Tension Bush	1
23	900783	Self Locking Nut M12	2
24	1597000	Parallel Link Pin	2
25	900286	Roll Pin 3/8" x 2"	1
26	1596700	Parallel Link Spacer	2
27	900375	Internal Tension Bush	1
28	901120	Bolt M20 x 180	2
29	901068	Bolt M12 x 50	2

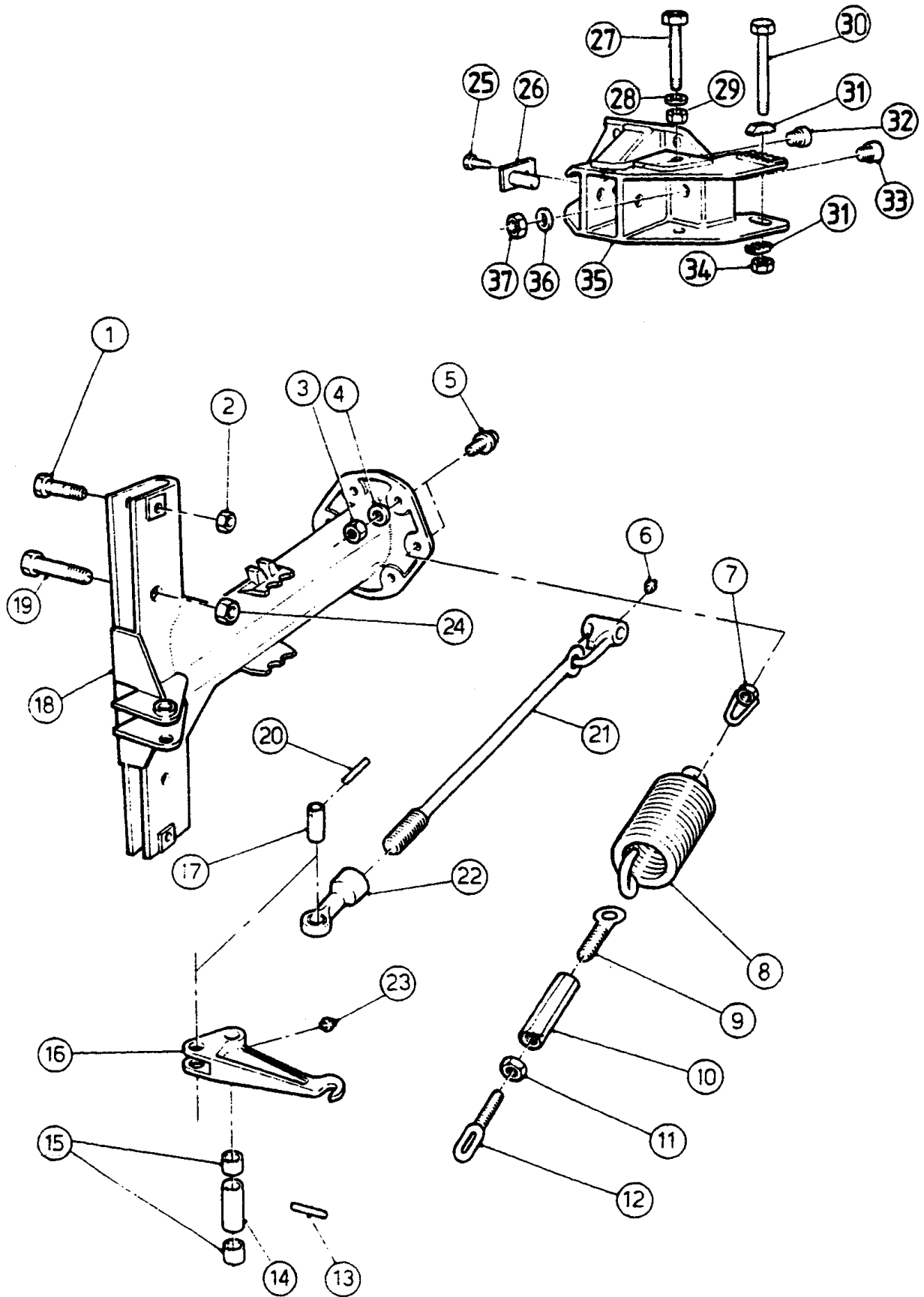
MAIN BEAM ASSEMBLY



MAIN BEAM ASSEMBLY

ITEM	PART N°	DESCRIPTION	QTY
1	1596200	Main Beam 4F 36"	-
	1596100	Main Beam 5F 36"	-
2	900431	Grease Nipple 1/4" UNF	1
3	900348	Plain Metal Bearing	2
4	1605500	Extension Beam (DF)	-
5	902255	Bolt M20 x 75	4
6	900785	Self Locking Nut M20	4
7	901333	Setscrew M16 x 50	2
8	900774	Plain Nut M16	2

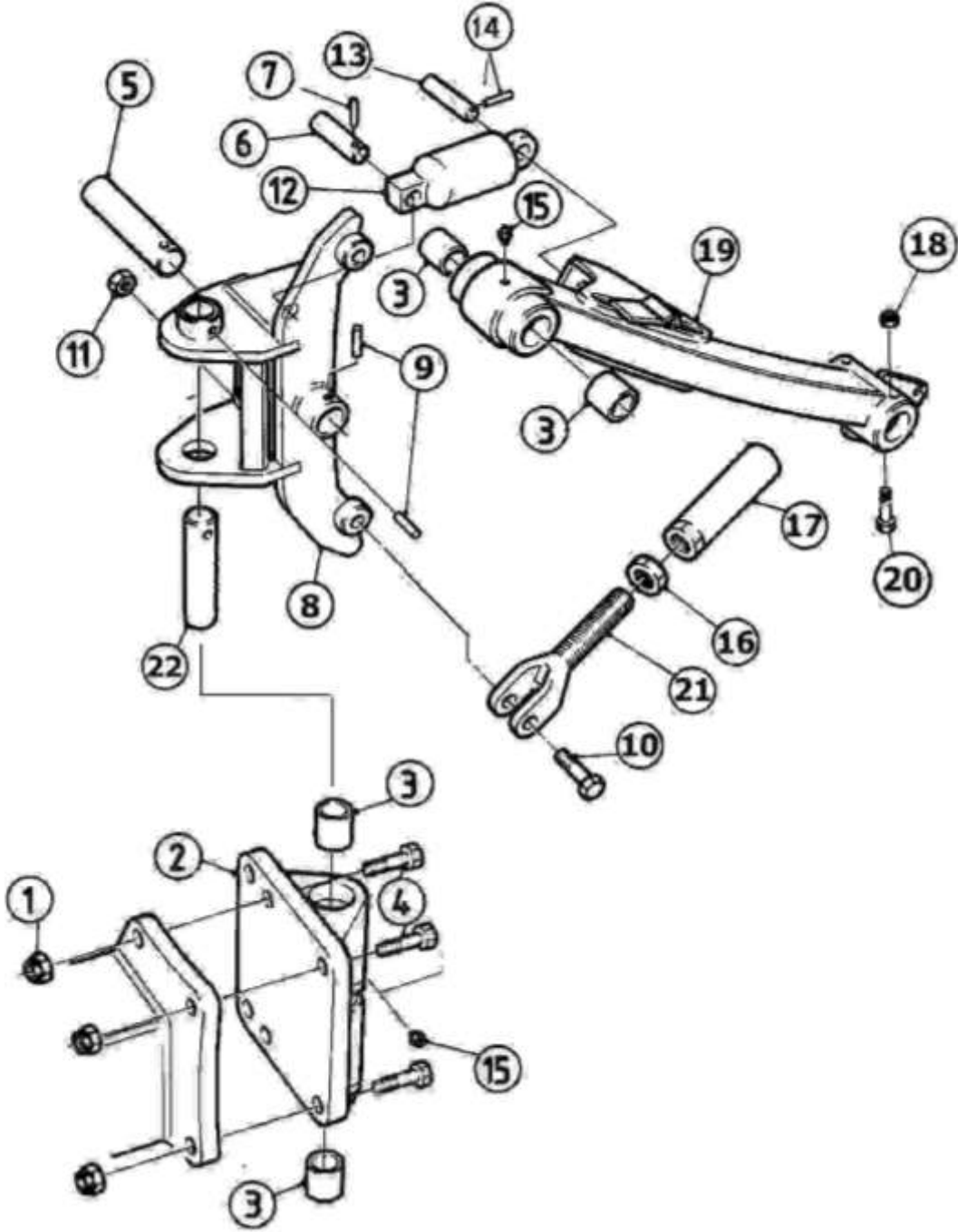
MR LEG BRACKET ASSEMBLY



MR LEG BRACKET ASSEMBLY

ITEM	PART N°	DESCRIPTION	QTY
1	-	Shearbolt See Separate Page	-
2	900496	Plain Nut 5/8" UNC	2
3	900117	Self Locking Nut 3/4" UNF	6
4	900197	Spring Washer 3/4"	6
5	120200	Reset Pivot Ball	6
6	900431	Grease Nipple 1/4" UNF	1
7	1057900	Eye	1
8	900467	Extension Spring	1
9	175600	Turnbuckle Eye LH	1
10	175800	Turnbuckle	1
11	900496	Nut 5/8" UNC	1
12	175700	Turnbuckle	1
13	900282	Spring Pin 5/16" x 1 1/2"	1
14	1062900	Pin	1
15	900371	Internal Tension Bush	2
16	1057200	Cast Hook	1
17	1193500	Pin	1
18	1057400	Reset Leg Bracket	1
19	900052	Bolt 3/4" UNF x 2 3/4"	2
20	900551	Spring Pin 8 x 40	1
21	1226200	Tension Rod	1
22	1226100	Rod End	1
23	900434	Grease Nipple 1/4" UNF	1
24	900107	Plain Nut 3/4" UNF	2
25	900022	Bolt 3/8" UNF x 3/4"	1
26	131500	Pin	1
27	903270	Bolt M24 x 220	1
28	901610	Plain Washer M24	2
29	900786	Self Locking Nut M24	1
30	903269	Bolt M20 x 245	1
31	1022700	Serrated Washer	2
32	120100	Pivot Cup Short (Outside)	1
33	134200	Pivot Cup Long (Inside)	1
34	900785	Self Locking Nut M20	1
35	1598600	Reset Leg Bracket	1
36	900197	Spring Washer 3/4"	2
37	900111	Self Locking Nut 3/4" UNF	2

DEPTH WHEEL ASSEMBLY

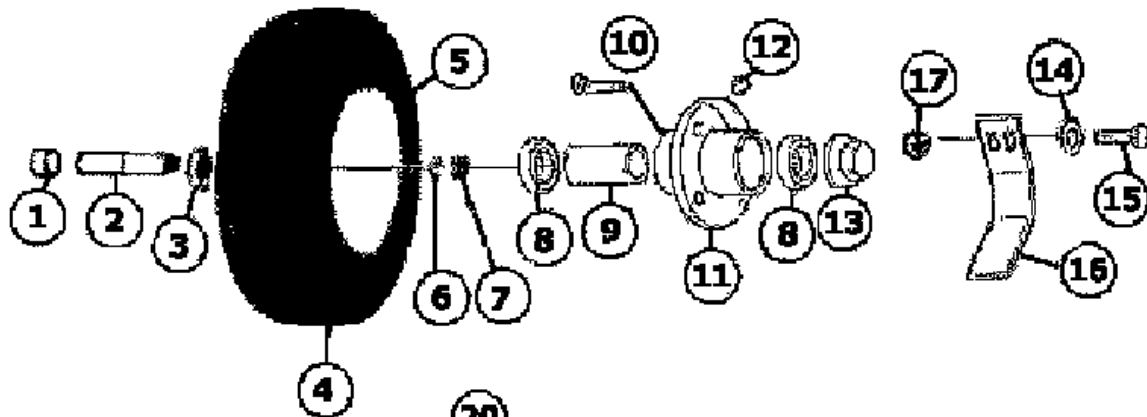


DEPTH WHEEL ASSEMBLY

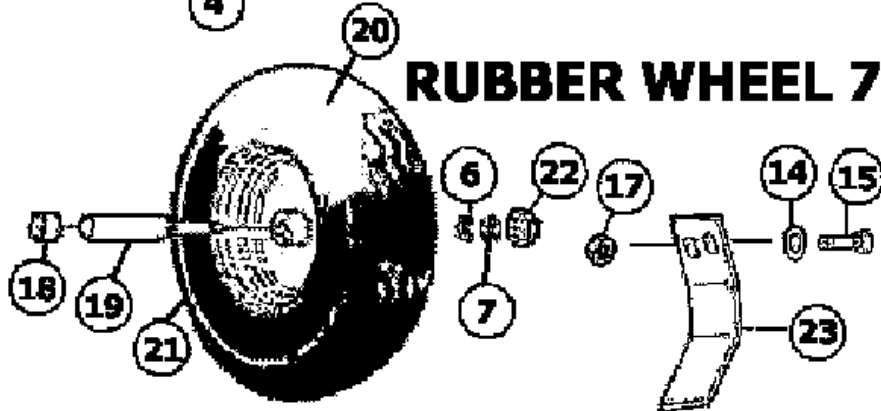
ITEM	PART N°	DESCRIPTION	QTY
1	900116	Self Locking Nut 5/8" UNF	4
2	1167200	Flange Mounting Bracket	1
3	900348	Plain Bearing	4
4	900043	Bolt 5/8" UNF x 2 1/2"	4
5	1167500	Pivot Pin	1
6	1247200	Damper Pin	1
7	900292	Spring Pin 5/16" x 2"	1
8	1234000	Castor Bracket	1
9	900542	Spring Pin 10 x 60	2
10	900869	Bolt 5/8" UNC x 3"	2
11	900120	Self Locking Nut 5/8" UNC	2
12	-	Damper (see separate Page)	-
13	1167700	Damper Bracket Pin	1
14	900551	Spring Pin 8 x 40	1
15	900431	Grease Nipple	2
16	900894	Half Nut 1" UNF	2
17	199500	Depth Stop Tube (160mm overall)	-
-	265900	Depth Stop Tube (190mm overall)	-
18	900783	Self Locking Nut M12	1
19	1221600	Wheel Arm	1
20	901074	Bolt M12 x 80	1
21	199700	Depth Stop Screw	2
22	1251500	Pivot Pin	1

DEPTH WHEEL OPTIONS

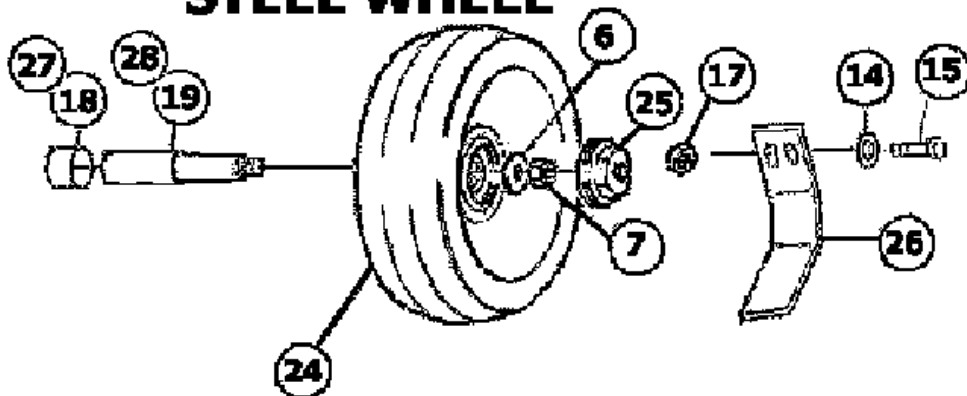
RUBBER WHEEL 24-14.5



RUBBER WHEEL 7-12



STEEL WHEEL



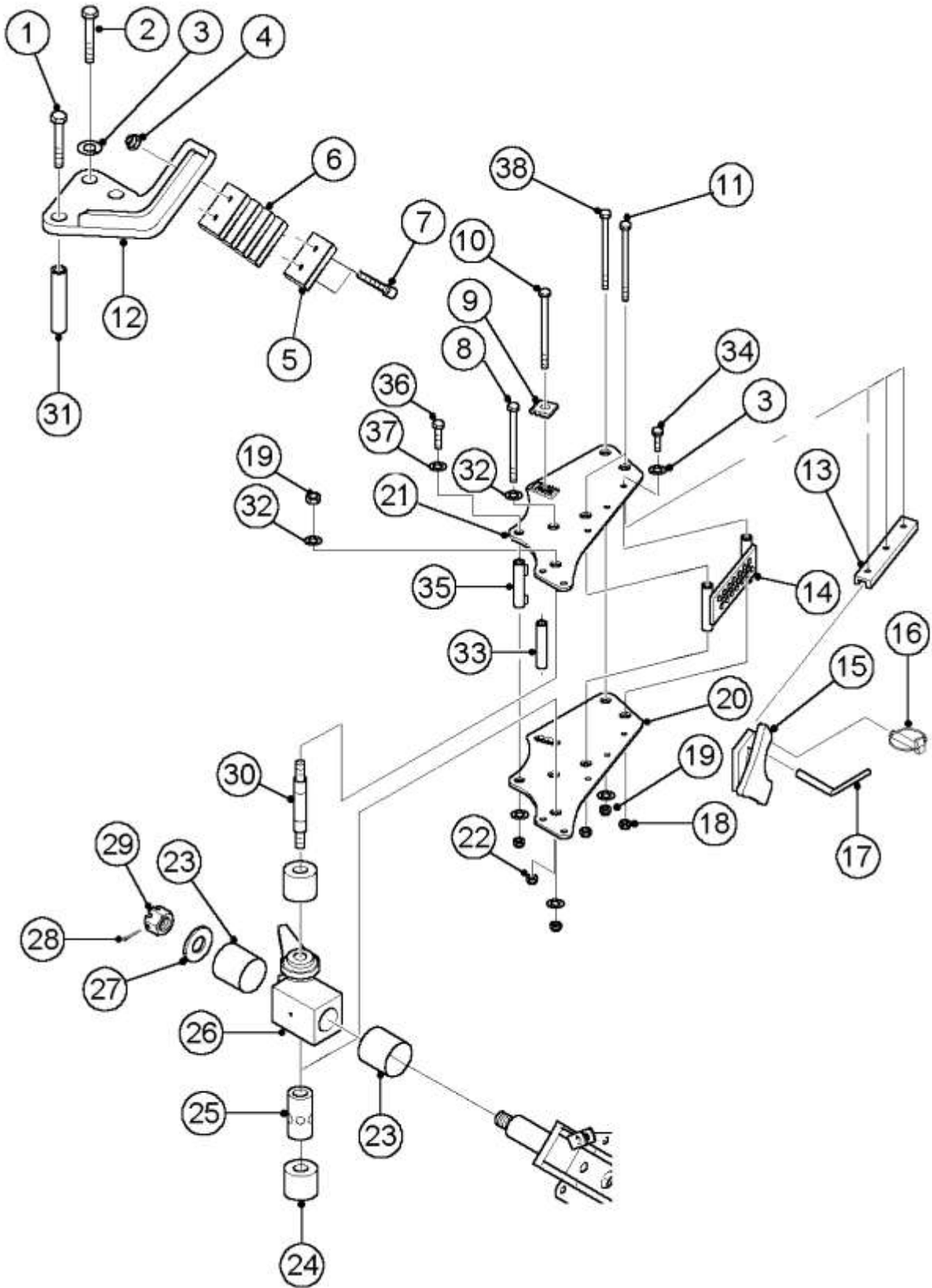
DEPTH WHEEL OPTIONS

ITEM	PART N°	DESCRIPTION	QTY
1	1274000	Axle Spacer	1
2	1211200	Axle	1
3	1211400	Dust Cover	1
4	1142700	Wheel Assembly	1
-	901734	Tyre	-
-	901748	Inner Tube	-
5	900598	Rim	1
6	901607	Plain Washer M20	1
7	900785	Self Locking Nut	1
8	1375700	Bearing	2
9	1375900	Spacer	1
10	1376000	Wheel Stud	4
11	1376100	Wheel Nut	4
12	1375800	Wheel Hub (Bare)	1
13	1375600	Hub Cap	1
-	1164300	Hub Assembly (8,9,10,11,12,13)	-
-	1157100	Bearing Kit (8,9)	-
14	901613	Plain Washer M12	2
15	901066	Bolt M12 x 40	2
16	1481700	Wheel Scraper	1
17	900783	Self Locking Nut M12	2
18	1211500	Axle Spacer	1
19	1211300	Axle	1
20	900600	Rim c/w Bearing & Cap	1
-	1219300	Wheel Bearing Kit	-
21	1212200	Wheel Assembly	1
-	901735	Tyre 7-12	-
22	1219200	Hub Cap (Push On)	1
23	1151900	Wheel Scraper	1
24	900832	Steel Wheel Assembly	1
25	1071900	Hub Cap	1
-	1071200	Bearing Kit	-
26	1340800	Wheel Scraper	1
27	1338100	Spacer ** Wheel On Inside	1
28	1338000	Axle ** Wheel On Inside	1

WHEEL DAMPER ASSEMBLY

ITEM	PART N°	DESCRIPTION	QTY
1	900021	Setscrew 3/8" UNF x 3/8"	1
2	900306	Dowty Washer 1/4" BSP	1
3	900381	Internal Tension Bush	2
4	900225	Single Acting Seal	2
5	900247	Composite Seal	1
6	900805	Back-Up Ring	1
7	197200	Rod Eye	1
8	900377	Internal Tension Bush	1
9	900772	Circlip	1
10	198400	End Bung	1
11	900210	'O' Ring	1
12	264300	Piston Rod Assembly	1
13	198800	Cylinder Assembly	1
14	900431	Grease Nipple Straight	1
15	900154	Grub Screw 1/4" UNF x 1/4"	1
16	9004341	Grease Nipple 90°	1
-	198300	Damper Assembly	-
-	1029900	Seal Set	-

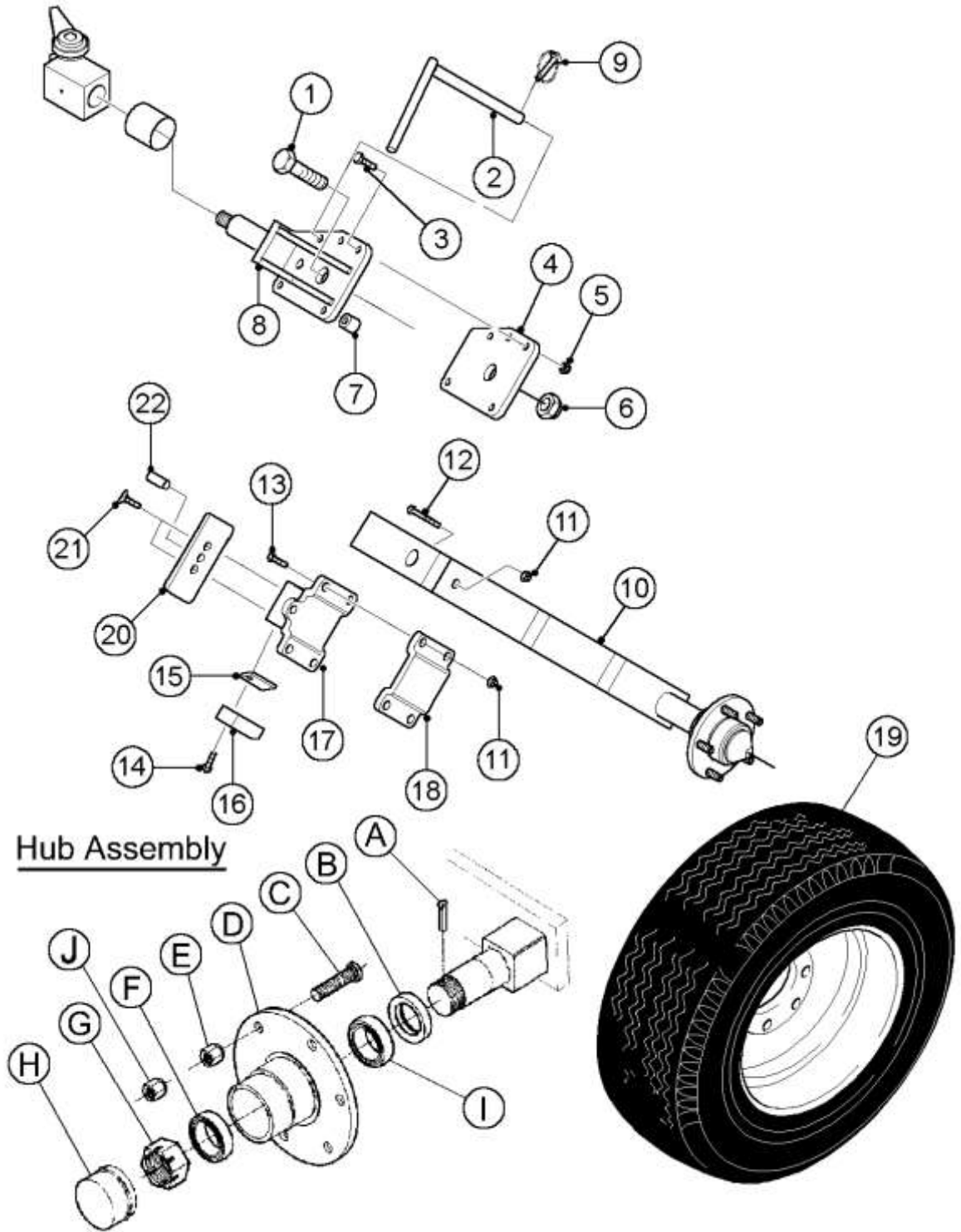
D/T WHEEL BRACKET OPTION



D/T WHEEL BRACKET OPTION

ITEM	PART N°	DESCRIPTION	QTY
1	901104	Bolt M16 x 280	1
2	901330	Set Screw M16 x 35	4
3	901191	Spring Washer M16	10
4	900783	Self Locking Nut M12	4
5	1588900	Bump Stop Plate	2
6	900455	Spring	4
7	901505	C'sunk Square Bolt M12 x 80	4
8	903136	Bolt M24 x 260	2
9	1022700	Serrated Width Adjuster	2
10	901125	Bolt M20 x 250	1
11	903138	Bolt M16 x 250	2
12	1489499	Wheel Bump Stop (LH)	1
-	1489498	Wheel Bump Stop (RH)	1
13	1483500	Adjuster Slide Rail	2
14	1483600	Adjuster Locator	1
15	1483300	Depth Adjuster	1
16	900527	Linch Pin	1
17	1484300	Depth Locator Pin	1
18	900784	Self Locking Nut M16	3
19	900786	Self Locking Nut M24	5
20	1602298	Wheel Mounting (RH)	1
21	1602299	Wheel Mounting (LH)	1
22	900785	Self Locking Nut M20	1
23	903151	Plain Metal Bearing	2
24	900389	Plain Metal Bearing	2
25	1484000	Wheel Swivel Spacer	1
26	1476900	Wheel Swivel	1
27	1498300	Special Washer	1
28	901917	Split Cotter Pin	1
29	901556	Hexagonal Slotted Nut M24	1
30	1483400	Wheel Swivel Pin	1
31	1489600	Bump Stop Support	1
32	901610	Plain Washer M24	8
33	1484100	Swivel Limit	1
34	901329	Set Screw M16 x 30	6
35	1556000	Adjustable Swivel Limit	1
36	901357	Set Screw M24 x 50	2
37	901195	Spring Washer M24	2
38	903267	Bolt M24 x 220	1

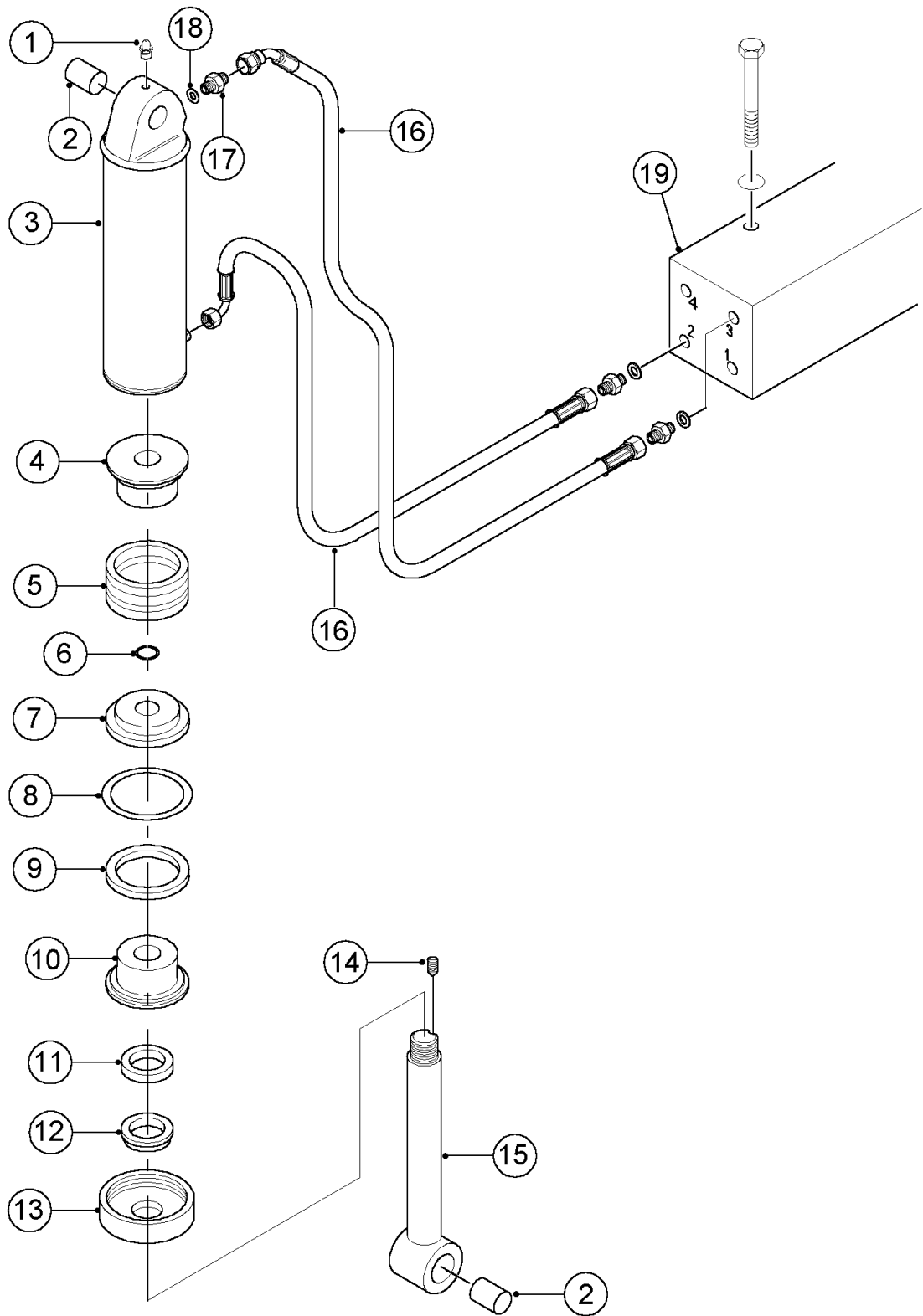
D/T WHEEL ARM OPTION



D/T WHEEL ARM OPTION

ITEM	PART N°	DESCRIPTION	QTY
1	901141	Bolt M24 x 90	1
2	1484200	Wheel Transport Pin	1
3	901089	Bolt M16 x 90	3
4	1484800	Wheel Arm Clevis Plate	1
5	900784	Self Locking Nut M16	3
6	900786	Self Locking Nut M24	1
7	1484900	Clevis Spacer Boss	3
8	1483200	Wheel Pivot	2
9	900528	Linch Pin	1
10	1483000	Wheel Arm	1
11	900783	Self Locking Nut M12	5
12	901070	Bolt M12 x 60	1
13	901067	Bolt M12 x 45	4
14	903453	Socket Cap Screw M10 x 35	2
15	1485600	Depth Equalizing Strip	2
16	1483700	Depth Striker	2
17	1534100	Depth Striker Mounting	1
18	1483900	Depth Striker Clamp	1
19	1426400	Wheel Assembly 12/80 – 1.5.3	1
20	1518100	Keep Plate	1
21	901199	Countersunk Socket Screw M12 x 35	2
22	1520600	Dowel Pin	1
A	901214	Spit Pin	1
B	1523800	Dirt Seal	1
C	1497400	Wheel Stud M16 x 1.5	5
D	1523900	Wheel Hub	1
E	1497500	Wheel Nut M16 x 1.5	5
F	1497600	Tapered Roller Bearing (small)	1
G	1497700	Slotted Nut	1
H	1497800	Hub Cap	1
I	232100	Tapered Roller Bearing (Large)	1
J	903274	Self Locking Nut M16	5

TURNOVER HYDRAULICS



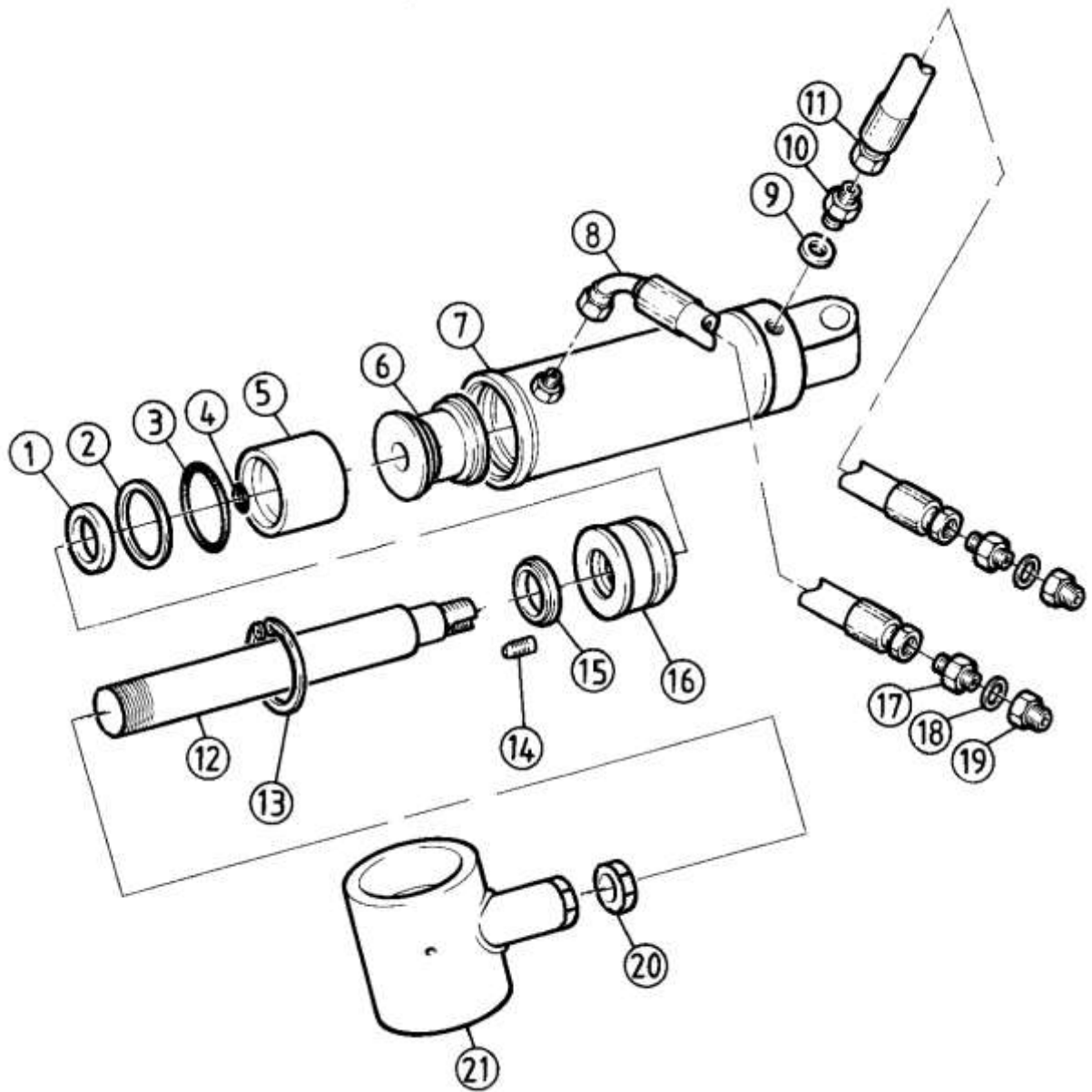
TURNOVER HYDRAULICS

ITEM	PART N°	DESCRIPTION	QTY
1	900431	Grease Nipple ¼" UNF Straight	2
2	900373	Plain Metal Bearing	2
3	161800	Cylinder Assembly	1
4	006300	Piston	1
5	900241	Seal Assembly	1
6	900204	'O' Ring	1
7	006400	Annulus	1
8	900203	'O'	1
9	900801	Back-up Ring	1
10	006500	End Plug	1
11	900221	Single Acting Seal	1
12	900261	Wiper Seal	1
13	006600	End Cap	1
14	900151	Socket Set Screw ¼" UNF	1
15	018700	Piston Rod	1
16	043000	Hydraulic Hose Assembly	2
17	900391	Adapter 3/8" BSP	1
18	900301	Dowty Washer 3/8" BSP	1
19	-	Sequence Valve (See Separate Page)	
-	161700	Ram Assembly	
-	052500	Seal Kit	

SEQUENCING HYDRAULICS

ITEM	PART N°	DESCRIPTION	QTY
1	1597300	Cylinder Assembly	1
2	1463800	Floating Piston	1
3	200254	Double Acting Seal	1
4	1597500	Piston	1
5	900255	Double Acting Seal	1
6	900216	'O' Ring	1
7	903341	Back-Up ring	1
8	1597600	Annulus	1
9	900204	'O' Ring	1
10	900800	Back-Up Ring	1
11	1485400	End Plug	1
12	900224	Single Acting Seal	1
13	1464300	End Cap	1
14	900267	Wiper Seal	1
15	900151	Socket Set Screw ¼" UNF	1
16	1597400	Piston Rod	1
17	1491800	Hydraulic Hose Assembly	1
18	1484700	Check/ Relief Valve	1
19	1492400	Hydraulic Hose Assembly	2
20	1492500	Hydraulic Hose Assembly	2
21	902885	Adapter 3/8" – 1/8" BSP	1
22	900391	Adapter 3/8" BSP	14
23	900301	Dowty Washer 3/8" BSP	14
24	1484600	Sequence Valve	1
25	902482	Plain Washer M8	1
26	901034	Bolt M8 x 110	1
27	008400	Hydraulic Hose Assembly	2
28	900392	Adapter 3/8"- 1/2" BSP	4
29	900302	Dowty Washer 1/2" BSP	4
30	900611	Tractor Quick Coupler	4
31	1492600	Hydraulic Hose Assembly	2
32	900741	Breather	1
33	902482	Plain Washer M8	2
34	901030	Bolt M8 x 80	2
35	900781	Self Locking Nut M8 (Not Shown)	1
-	1597100	Ram Assembly	-
-	1601900	Seal Kit	-

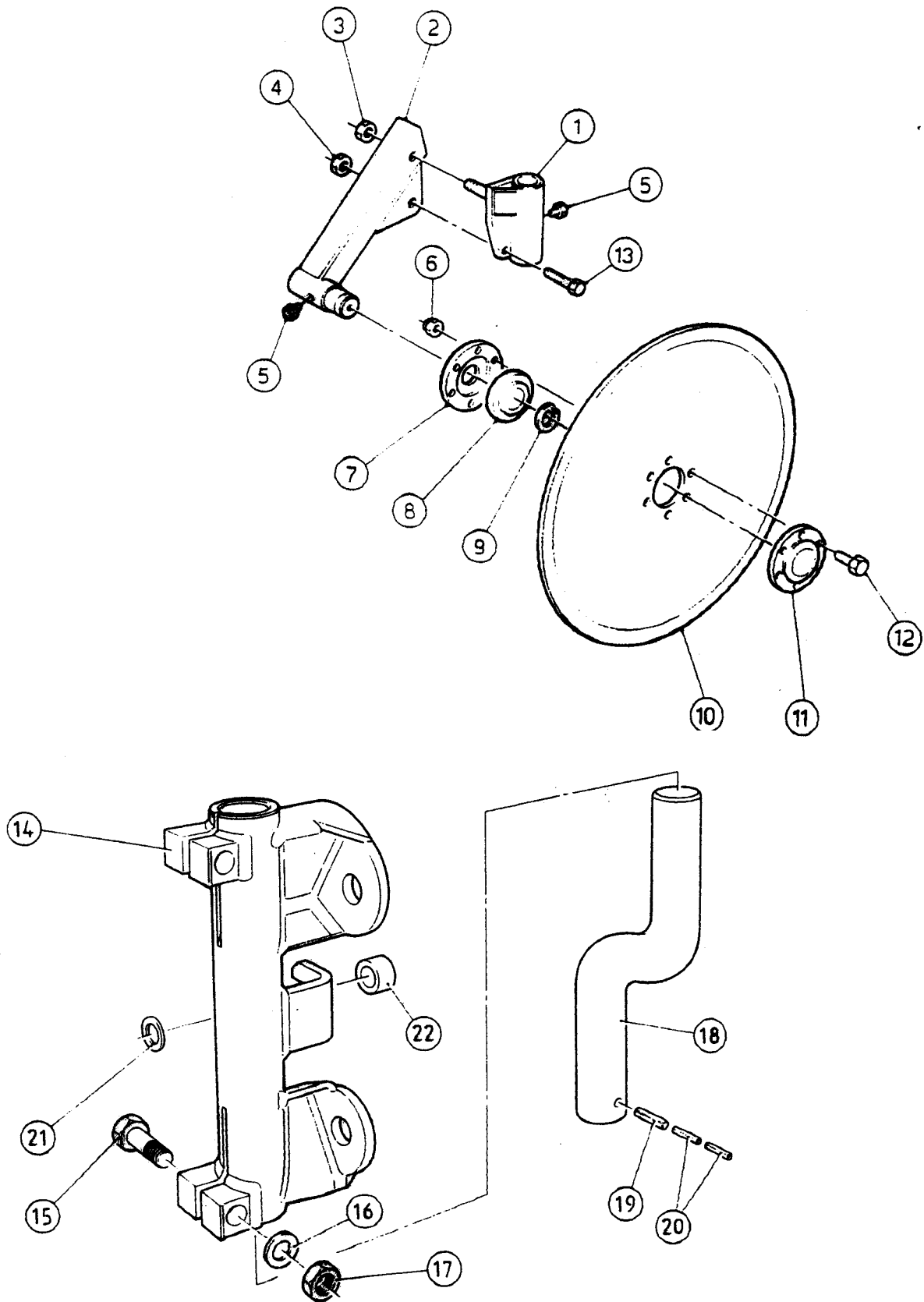
OFFSET HYDRAULICS



OFFSET HYDRAULICS

ITEM	PART N°	DESCRIPTION	QTY
1	900225	Single Acting Seal	1
2	900805	Back- Up Ring	1
3	900210	'O' Ring	1
4	900209	'O' Ring	1
5	900246	Double Acting Seal	1
6	148300	Piston	1
7	1598000	Cylinder Assembly	1
8	1491700	Hydraulic Hose Assembly	1
9	900301	Dowty Washer 3/8" BSP	1
10	900391	Male- Male Adapter 3/8" - 3/8" BSP	1
11	1491700	Hydraulic Hose Assembly	1
12	1092100	Piston Rod	1
13	900722	Internal Circlip	1
14	900151	Socket Set Screw 1/4" UNF	1
15	900263	Wiper Seal	1
16	148200	End Bung	1
17	900392	Male- Male Adapter 3/8" - 1/2" BSP	2
18	900302	Dowty Washer 1/2" BSP	2
19	900611	Tractor Quick Coupler	2
20	900776	Lock Nut M24	1
21	1598500	Eye Extension	1
-	1597900	Ram Assembly	-
-	151600	Ram Seal Kit	-

DISC ASSEMBLY

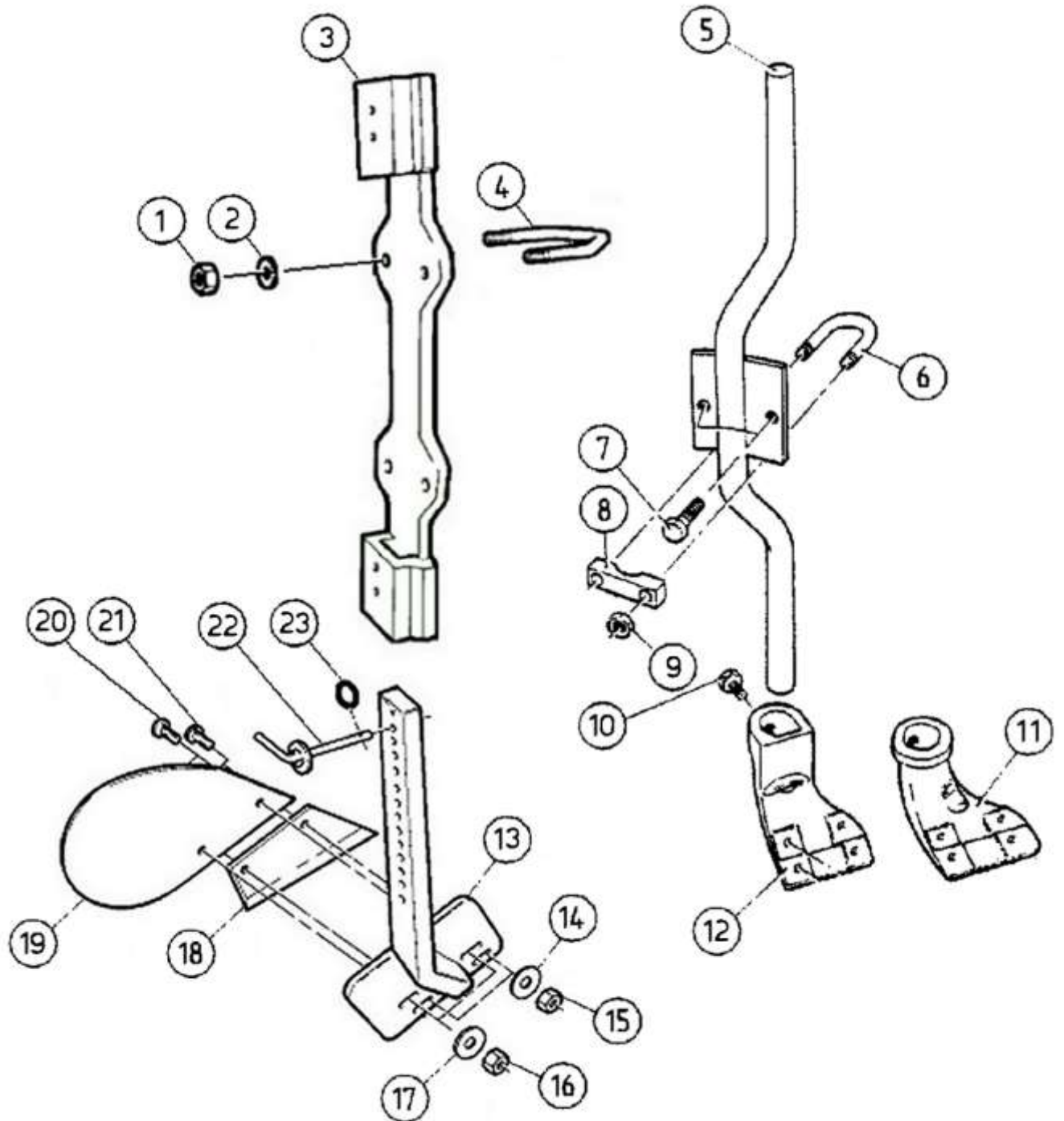


DISC ASSEMBLY

ITEM	PART N°	DESCRIPTION	QTY
1	305698	Disc Arm Swivel R.H	1
-	305699	Disc Arm Swivel L.H	1
2	052998	Disc Arm 18" R.H.	As Req.
-	052999	Disc Arm 18" L.H.	As Req.
3	900107	Plain Nut 3/4" UNF	1
4	900105	Plain Nut 1/2" UNF	1
5	900431	Grease Nipple 1/4" UNF	2
6	900781	Self Locking M8	6
7	055000	Bearing Housing (Inner)	1
8	900324	Ball bearing	1
9	900601	Circlip	1
10	052800	Disc 18" Plain	As Req
-	053000	Disc 20" Plain	As Req
-	063800	Disc 18" Cutaway	As Req
-	054100	Disc 20" Cutaway	As Req
11	054900	Bearing Housing (Outer)	1
12	901263	M 8 x 30mm Set	6
13	902350	Shearbolt	1
14	138000	Disc Bracket	1
15	900043	Bolt 5/16" UNF x 2 1/2"	2
15a		Bolt (For fitting Disc Bracket)	
16	900172	Plain Washer 5/8"	2
17	900106	Nut 5/8" UNF	2
18	137900	Stalk	1
19	900542	Spring Pin 10 x 60	2
20	900541	Spring Pin 6 x 30	4
21	900178	Plain Washer 3/4" x 0.128	1
22	178200	Spacer	3

Quantities are per hand

SKIM ASSEMBLY

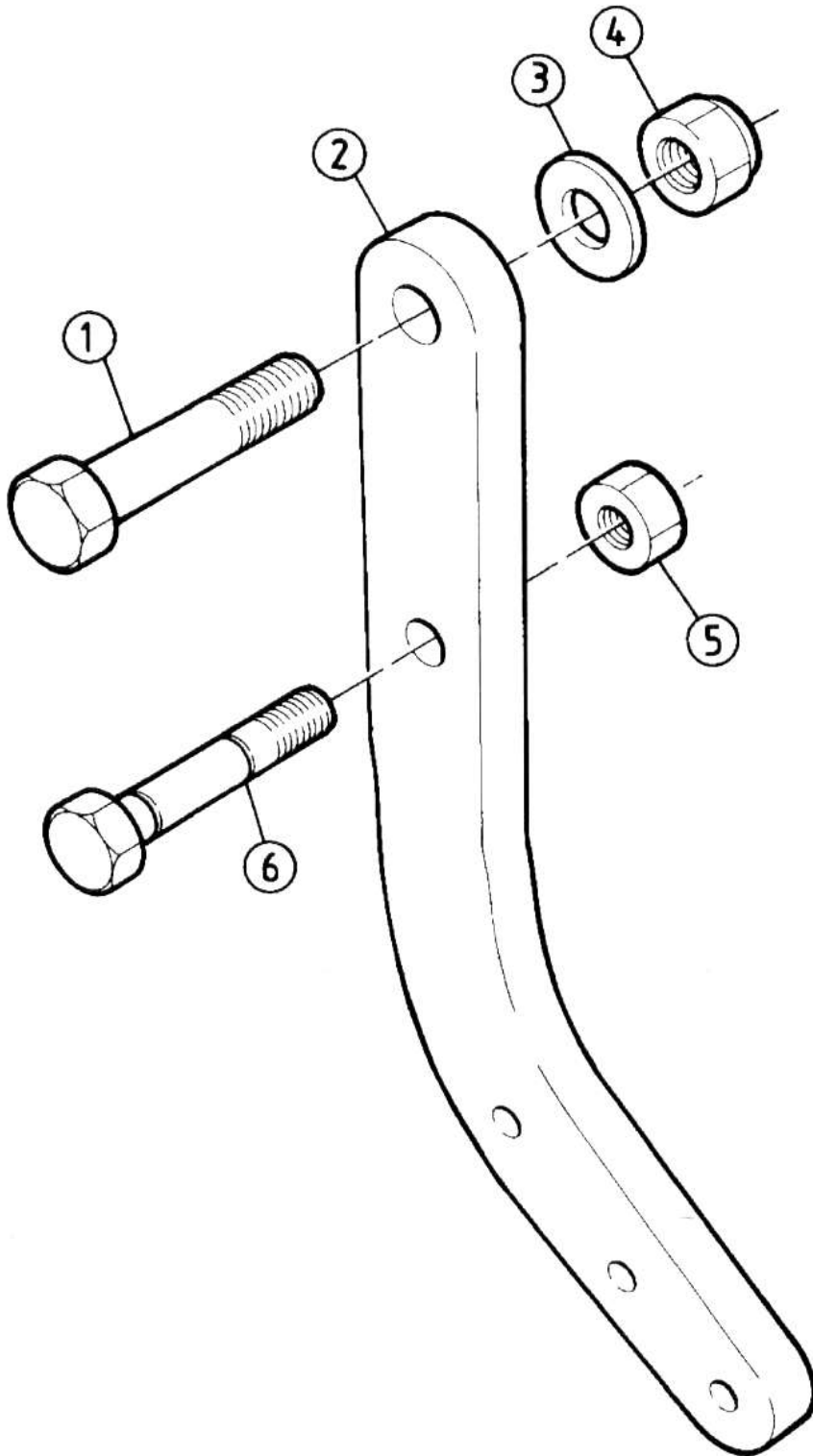


SKIM ASSEMBLY

ITEM	PART N°	DESCRIPTION	QTY
1	900774	Plain Nut M16 (Rect Only)	4
2	901606	Plain Washer M16 (Rect Only)	4
3	1439200	Mounting Bracket (Rect Only)	1
4	1344000	'V' Bolt (Rect Only)	2
5	1086100	Round Skim Shank	1
6	010700	'U' Bolt (Rect)	2
7	900996	Setscrew 5/8" UNC x 2 1/2" (Round Only)	2
8	010800	Clamp Block (Round Only)	2
9	900496	Plain Nut 5/8" UNC (Round Only)	2
10	062700	Knurl Bolt (Round Only)	4
11	191398	'J' Type Skim Frog RH (Round Only)	As Req
-	191399	'J' Type Skim Frog LH (Round Only)	As Req
12	048298	'K' Type Skim Frog RH (Round Only)	As Req
-	048299	'K' Type Skim Frog LH (Round Only)	As Req
13	1439398	Rect Skim Shank RH (Rect Only)	1
-	1439399	Rect Skim Shank LH (Rect Only)	1
14	902955	Special Washer (Rect Only)	4
15	900498	Plain Nut 3/8" UNC	2
16	900103	Plain Nut 3/8" UNF	2
17	-	See Item 14	-
18	048098	Skim Point RH	1
-	048099	Skim Point LH	1
19	1099898	XL Skim Wing RH	1
-	1099899	XL Skim Wing LH	1
20	900141	C'Sunk Bolt 3/8" UNF x 28mm	4
21	900810	Taper Bolt 3/8" UNC x 25mm	4
22	1344100	Locating Pin (Rect Only)	2
23	903200	Spring Coil (Rect Only)	2

All Quantities are per furrow

105 SERIES MR LEG



105 SERIES MR LEG

ITEM	PART N°	DESCRIPTION	QTY
1	900052	Bolt 3/4" UNF x 2.75"	1
2	-	See Table Below	As Req
3	-	Not Required	-
4	900107	Plain Nut 3/4" UNF	1
5	900496	Plain Nut 5/8" UNC	1
6	-	Shearbolt (See Separate Page)	-

LEG LIST

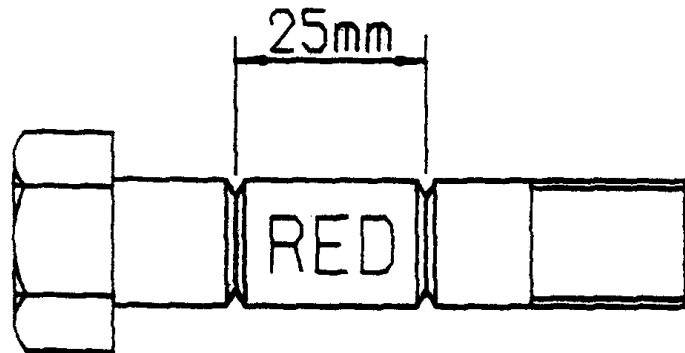
Underbeam Clearance (Inches)	Body Type	Part N°
27	DD	183800
27	UCN	183800
27	M-SLAT	1348300

105 SERIES MR LEG SHEARBOLT

To avoid SERIOUS DAMAGE it is essential that the correct shear bolts are fitted and fitted with the bolt head against the leg.

THE USE OF INCORRECT SHEARBOLTS WILL NULLIFY
YOUR WARRANTY!

To ease identification, all leg shearbolts are colour coded.



Part Number – 900486

Supplied with nut inclusive as spare.