

Parts
Manual
105 Series
MA

Important Information

Serial Number

It is important to make a note of the serial number and year of manufacture of your machine in the spaces provided below. This information should always be quoted in any correspondence with Dowdeswell Engineering.

When ordering spares for your machine, you should always quote the serial number and year of manufacture either to Dowdeswell's or to your dealer.

Machine Serial Number: _____

Year of manufacture: _____

Warranty

Should defective material or workmanship used in the manufacture give rise to failure, the products, components or sub-assemblies affected, will be replaced free of charge during the period of warranty offered with the machine at the time of purchase. The fitting of non Dowdeswell parts, or repairs, or modifications carried out by unauthorised persons will invalidate the warranty. No work will be carried out without prior consultation with Dowdeswell Engineering Co. Ltd.

Save to the extent covered by the warranty, the company shall not be liable in any circumstances for any loss, injury or expense, whether direct or indirect, which may arise for any reason whatsoever from any defect in or otherwise in connection with any goods supplied or work done by the company.

Replacement Parts

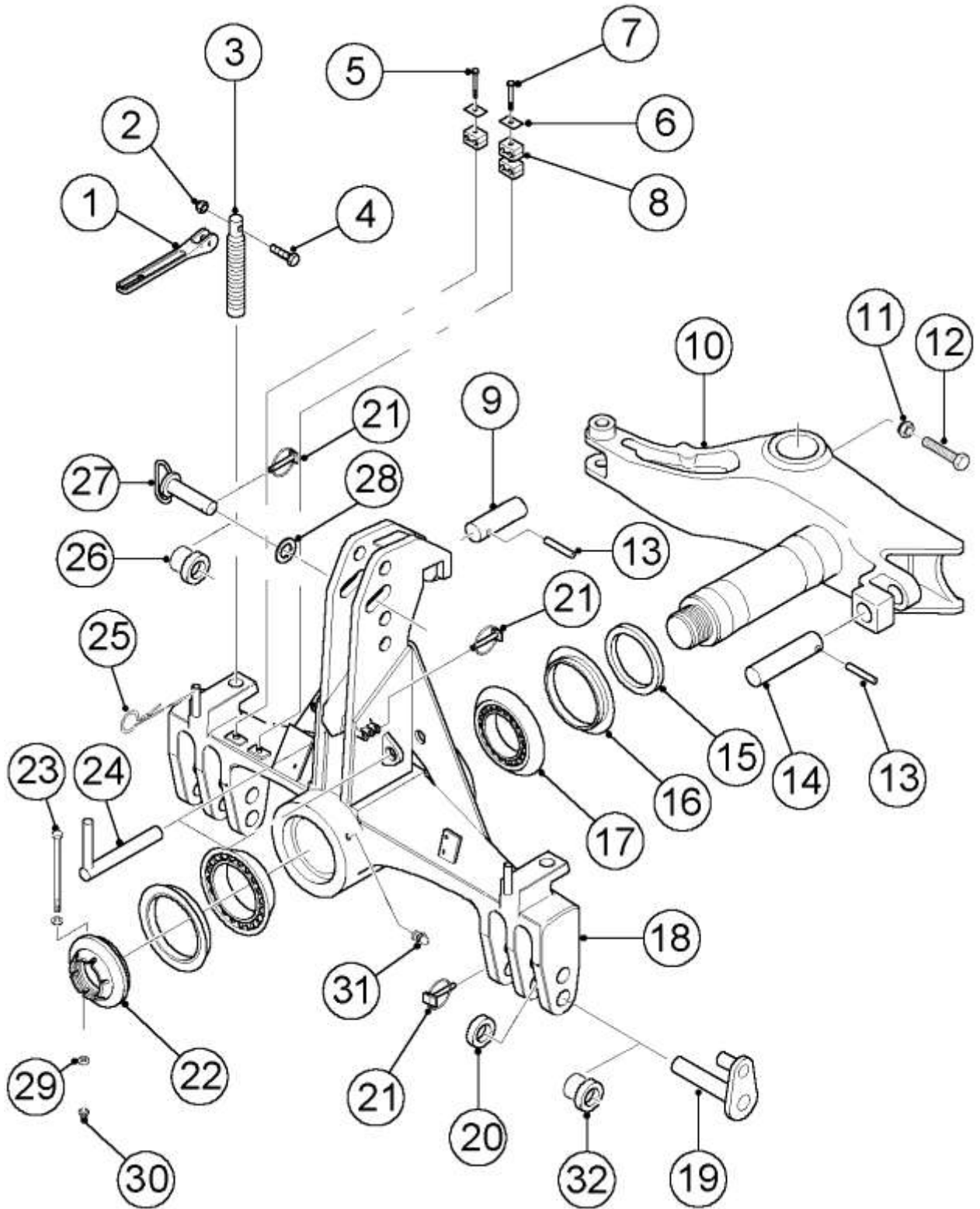
Use only genuine Dowdeswell spares as these replacement parts are designed for your machine to give the best possible performance and also have the full backing of the warranty cover. See the Parts Manual for the part number and description, when ordering spares always quote the machine serial number.

Definitions

Throughout this manual the terms "Front", "Rear", "Left-hand (LH)" and "Right-hand (RH)" will be used and are derived from the tractor drivers normal position facing forward with the plough in its transport position.

The left-hand components are those which move the soil to the left, and the right-hand components are those which move the soil to the right.

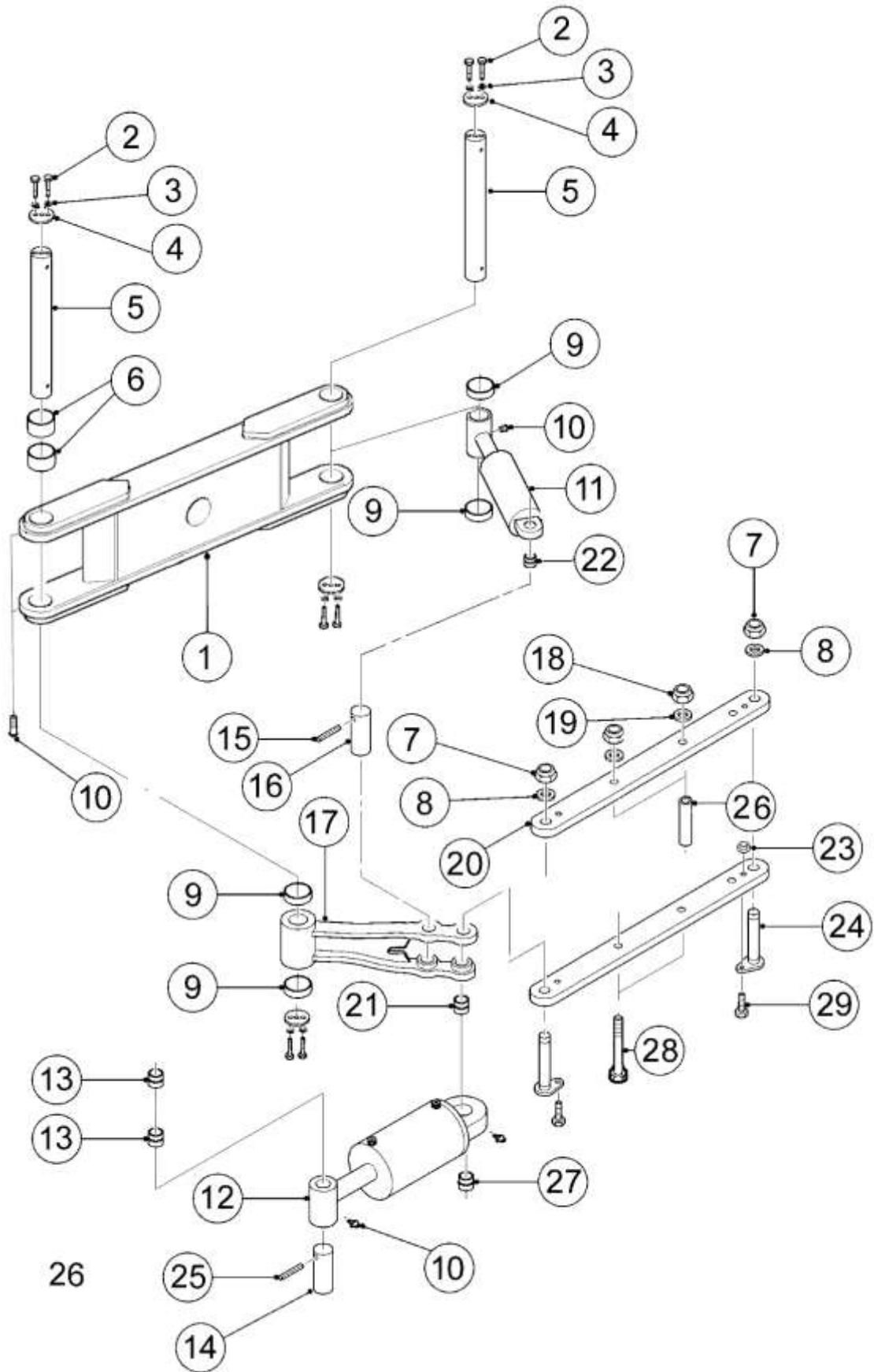
HEADSTOCK ASSEMBLY



HEADSTOCK ASSEMBLY

ITEM	PART N°	DESCRIPTION	QTY
1	1156300	Handle	2
2	900115	Self Locking Nut 3/8" UNF	2
3	1320500	Verticality Screw	2
4	900027	Bolt 3/8" UNF x 2 1/2"	2
5	901022	Bolt M8 x 35	1
6	901826	Cover Plate	2
7	901027	Bolt M8 x 60	1
8	901802	Hose Clamp (As Half)	6
9	1515400	Top Ram Pin	1
10	1594200	Turnover Arm	1
11	901981	Locking Nut M16	2
12	901336	Setscrew M16 x 65	2
13	900542	Spring Pin 10x 60	2
14	1373300	Bottom Ram Pin	1
15	1485000	Bearing Butt Ring	1
16	901536	Seal	2
17	901529	Bearing	2
18	1594000	Headstock	1
19	1362000	Lower Link Pin (Cat 3)	2
19a	1544700	Lower Link Pin (Cat 2/3)	-
20	1275100	Spacer Ring	2
21	900527	Linch Pin	5
22	1485500	Pulling Nut	1
23	901080	Bolt M12 x 140	1
24	1482900	Headstock Transport Latch	2
25	900521	'R' Clip	2
26	1588400	Top Link Reducer Sleeve (Cat3-2)	1
27	1362100	Top Link Pin (Cat 3)	1
27a	1588300	Top Link Pin (Cat 2)	1
28	900185	Plain Washer 1 1/4" (Cat 3 Only)	1
29	901189	M12 Plain Washer	2
30	900783	M12 Nyloc Nut	1
31	900431	Grease Nipple 1/4" UNF	2
32	1544800	Bottom Link Reducer Sleeve (Cat3-2)	2

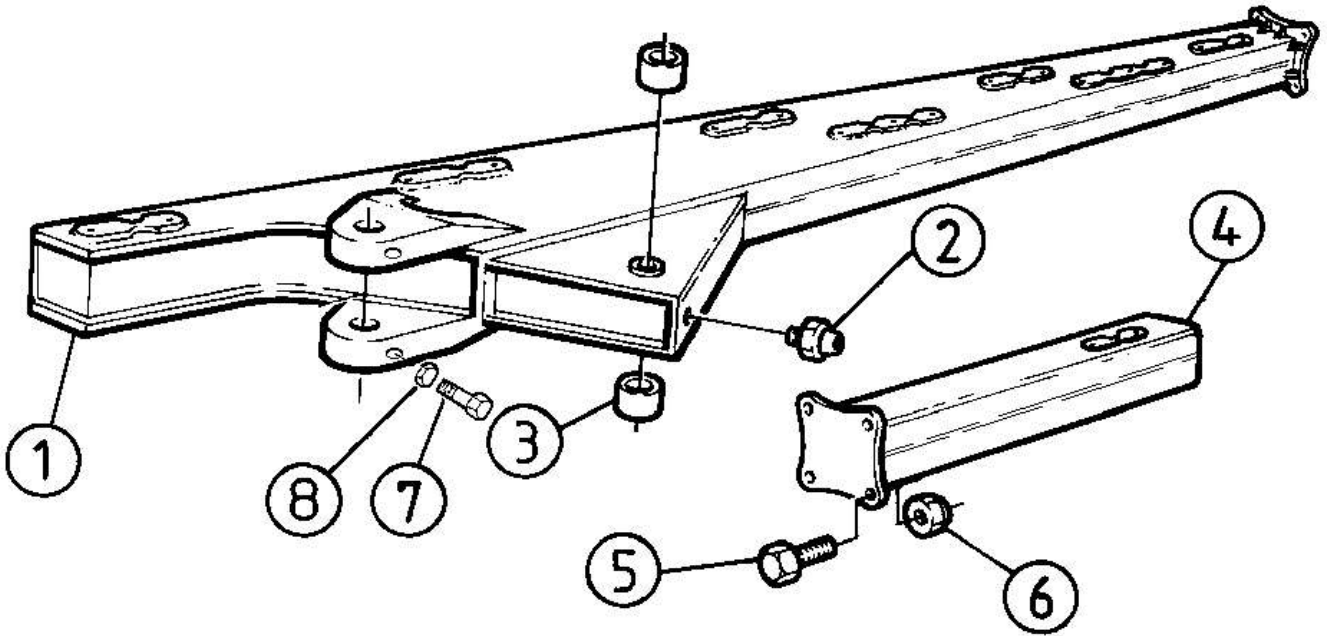
PARALLEL LINK ASSEMBLY



PARALLEL LINK ASSEMBLY

ITEM	PART N°	DESCRIPTION	QTY
1	1606300	Main Link	1
2	901308	Setscrew M12 x 30	8
3	901189	Spring Washer M12	8
4	1356500	Retaining Plate	4
5	1596500	Main Link Pin	2
6	903159	Internal Tension Bush	4
7	900786	Self Locking Nut M24	2
8	901610	Plain Washer M24	2
9	903147	Internal Tension Bush	4
10	900431	Grease Nipple 1/4"UNF	11
11	-	Offset Ram Assembly (see separate page)	-
12	-	Alignment Ram Assembly (see separate page)	-
13	900376	Internal Tension Bush	2
14	1487000	Ram Eye Pin	1
15	900559	Roll Pin 8 x 50	1
16	1596900	Cross Link Pin	1
17	1596800	Cross Link	1
18	900785	Self Locking Nut M20	2
19	901607	Plain Washer M20	4
20	1596600	Parallel Link Plate	2
21	903150	Internal Tension Bush	2
22	900372	Internal Tension Bush	1
23	900783	Self Locking Nut M12	2
24	1597000	Parallel Link Pin	2
25	900286	Roll Pin 3/8" x 2"	1
26	1596700	Parallel Link Spacer	2
27	900375	Internal Tension Bush	1
28	901120	Bolt M20 x 180	2
29	901068	Bolt M12 x 50	2

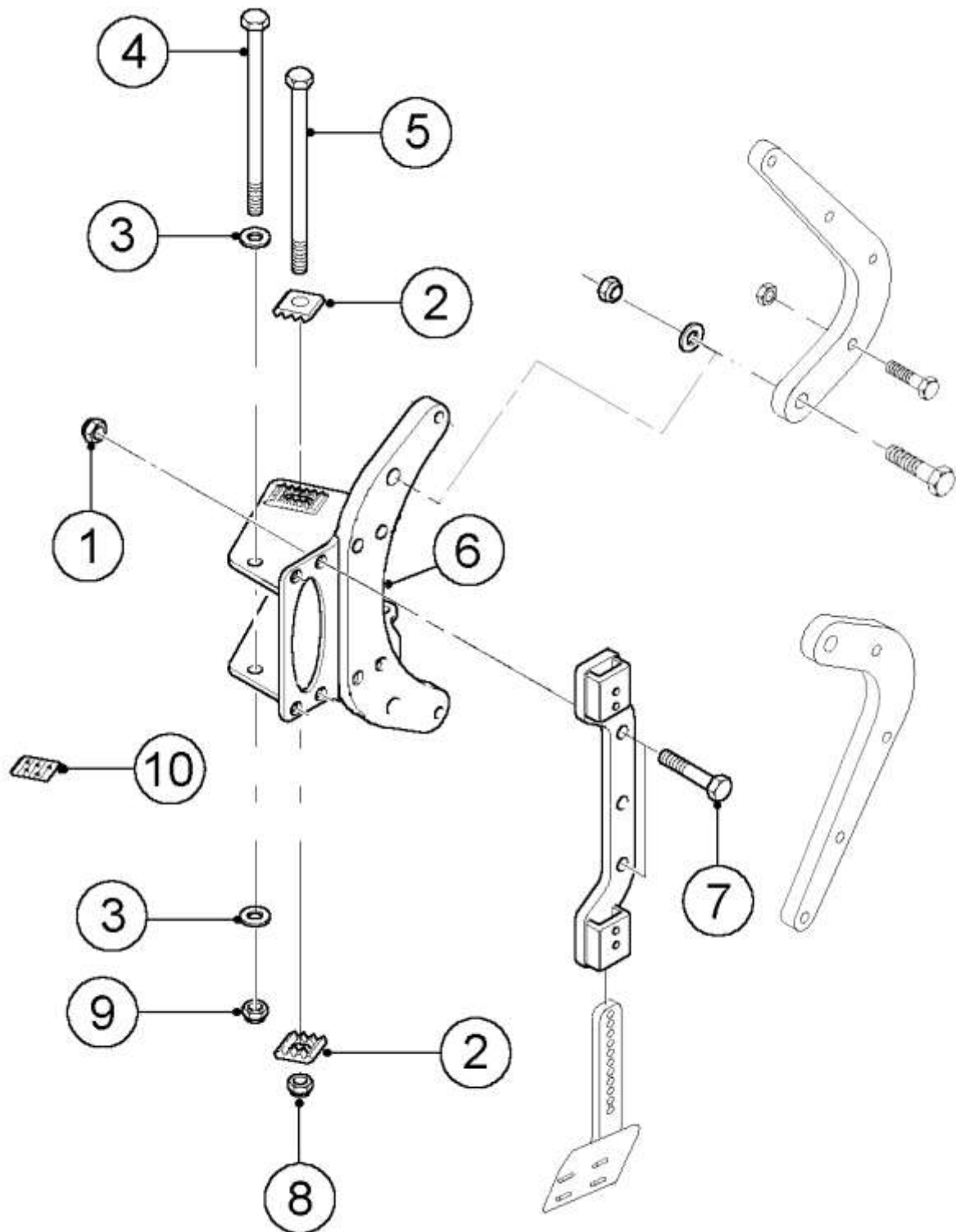
MAIN BEAM ASSEMBLY



MAIN BEAM ASSEMBLY

ITEM	PART N°	DESCRIPTION	QTY
1	1596200	Main Beam 4F 36" MA	-
	1596100	Main Beam 5F 36" MA	-
2	900431	Grease Nipple 1/4" UNF	1
3	900348	Plain Metal Bearing	2
4	1596300	Extension Beam MA	-
5	902255	Bolt M20 x 75	4
6	900785	Self Locking Nut M20	4
7	901333	Setscrew M16 x 50	2
8	901981	Locknut M16	2

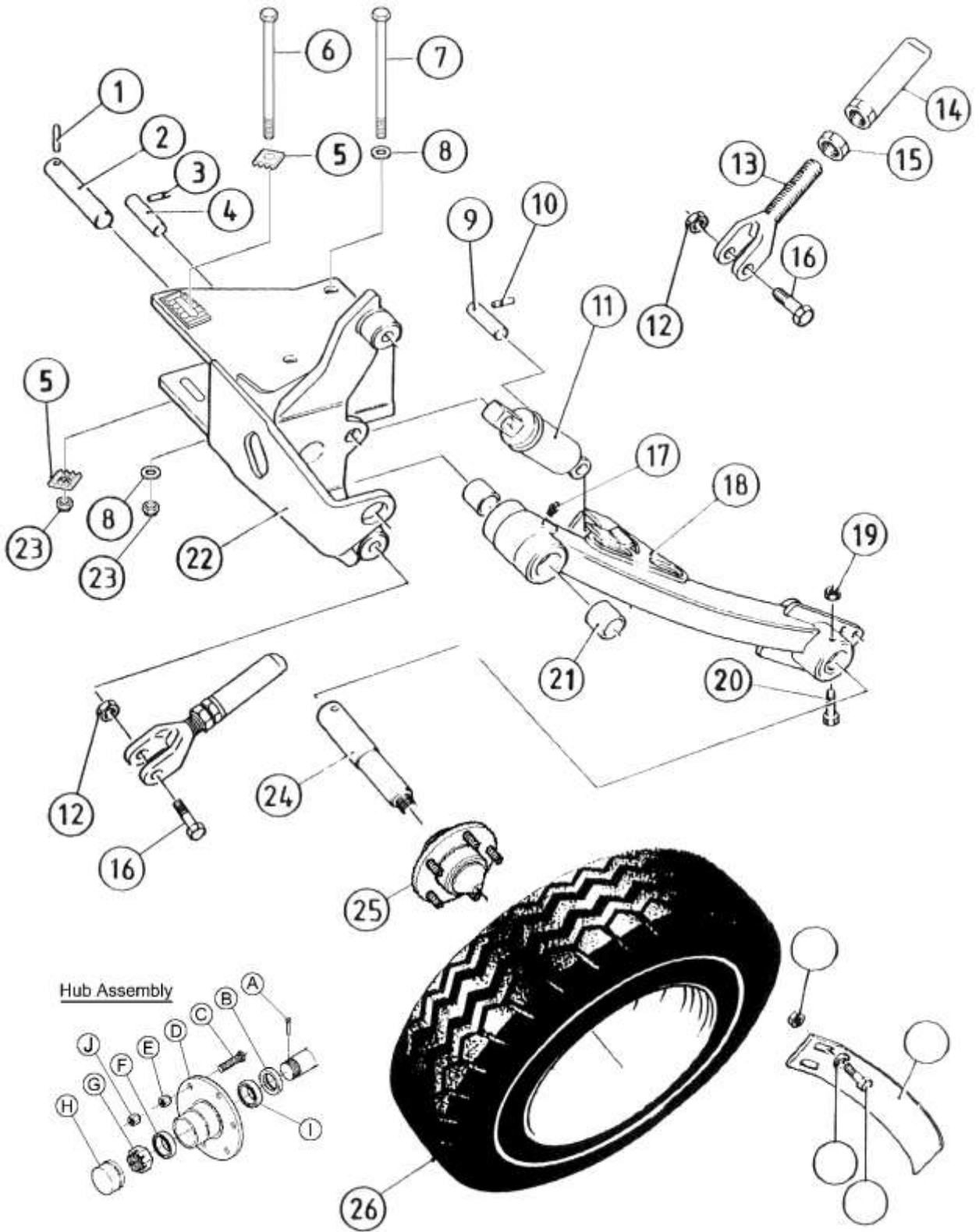
MA LEG BRACKET ASSEMBLY



MA LEG BRACKET ASSEMBLY

ITEM	PART N°	DESCRIPTION	QTY
1	903276	Self Locking Nut M24	2
2	1022700	Serrated Width Adjuster	2
3	901610	Plain Washer M24	4
4	903267	Bolt M24 x 210	1
5	903269	Bolt M24 x 245	1
6	1596400	MA Leg Bracket	1
7	903268	Bolt M24 x 60	2
8	900785	Self Locking Nut M20	1
9	900786	Self Locking Nut M24	1
10	-	Furrow Width Decal	1

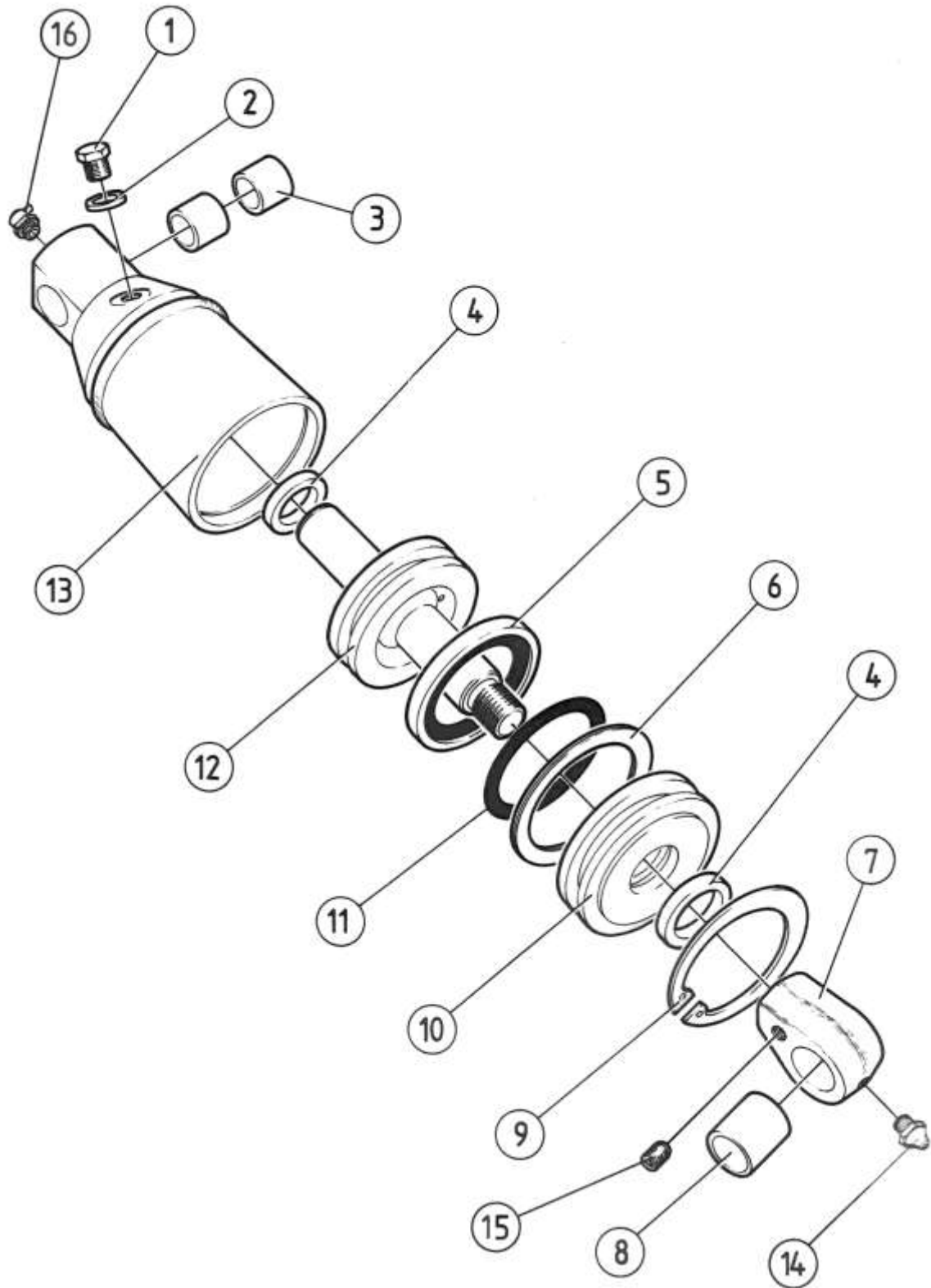
DEPTH WHEEL ASSEMBLY



DEPTH WHEEL ASSEMBLY

ITEM	PART N°	DESCRIPTION	QTY
1	900542	Spring Pin 10 x 60	1
2	1229700	Pivot Pin	1
3	900293	Spring Pin 5/16" x 2.5"	1
4	1247200	Damper Top Pin	1
5	1022700	Serrated Width Adjuster	2
6	901125	Bolt M20 x 250	1
7	901121	Bolt M20 x 200	1
8	901607	Plain Washer M20	2
9	1167700	Damper Bottom Pin	1
10	900551	Spring Pin 8 x 40	1
11	-	Wheel Damper (see separate page)	-
12	900120	Self Locking Nut 5/8" UNC	2
13	199700	Depth Stop Screw	2
14	265900	Depth Stop Tube (Long)	2
15	900109	Lock Nut 1" UNF	2
16	900869	Bolt 5/8" x 3"	2
17	900431	Grease Nipple	2
18	1595700	Wheel Arm	1
19	900783	Self Locking Nut M12	1
20	901074	Bolt M12 x 80	1
21	900348	Internal Tension Bush	2
22	1595900	Wheel Mounting Bracket	1
23	900785	Self Locking Nut M20	2
24	1595800	Stub Axle	1
25	-	Wheel Hub Assembly (see A-J below)	-
26	1566000	Wheel Assembly	1
-	903051	Wheel Rim	-
-	901741	Tyre (11.5/80 – 15.3)	-
A	901214	Split Pin	1
B	1497200	Dirt Seal	1
C	1497400	Wheel Stud M16 x 1.5	5
D	1497300	Wheel Hub	1
E	1497500	Wheel Nut M16 x 1.5	5
F	1497600	Tapered Roller Bearing (small)	1
G	1497700	Slotted Nut	1
H	1497800	Hub Cap	1
I	232100	Tapered Roller Bearing (Large)	1
J	903274	Self Locking Nut M16 x 1.5	5

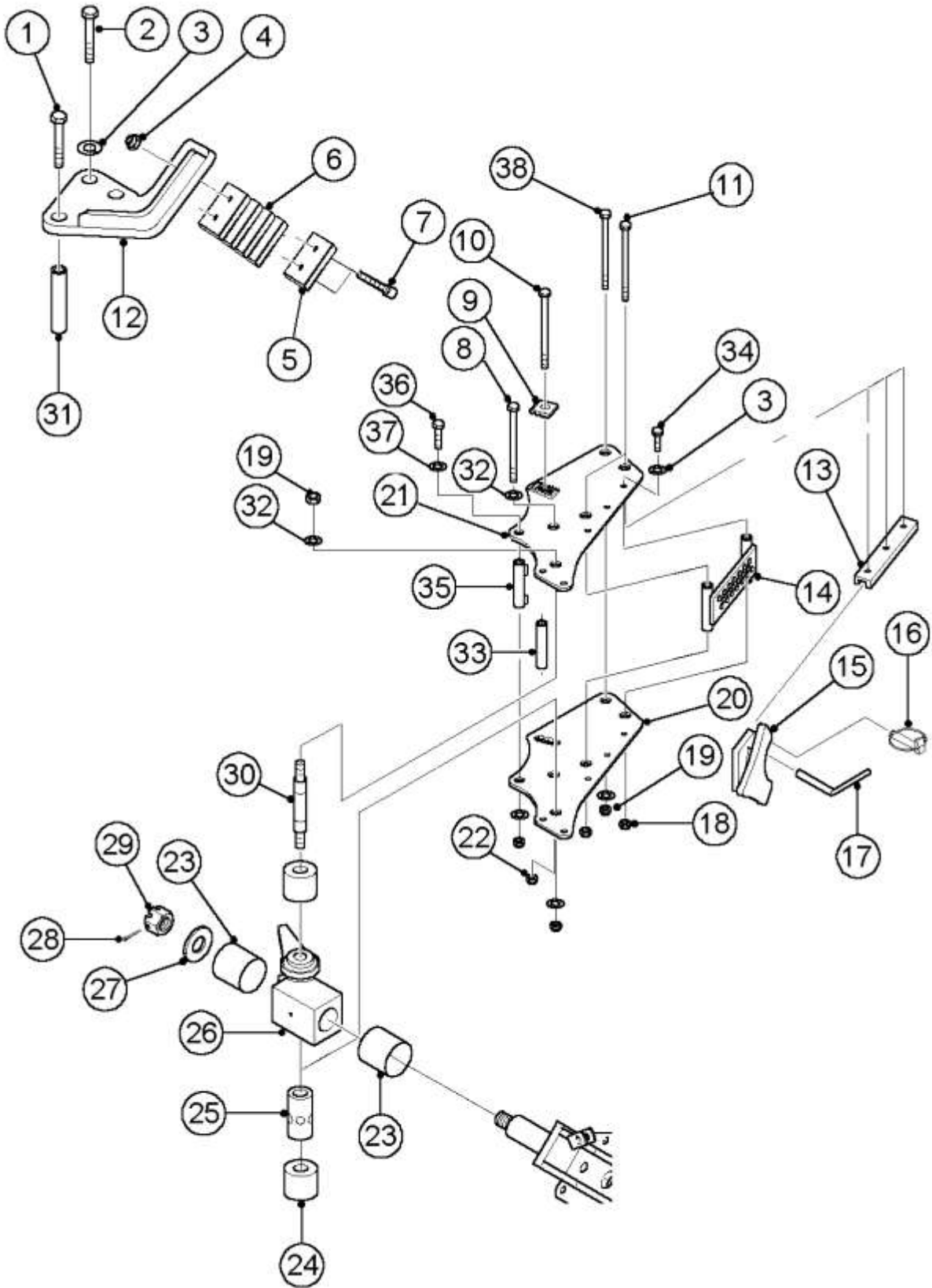
WHEEL DAMPER ASSEMBLY



WHEEL DAMPER ASSEMBLY

ITEM	PART N°	DESCRIPTION	QTY
1	900021	Setscrew 3/8" UNF x 3/8"	1
2	900306	Dowty Washer 1/4" BSP	1
3	900381	Internal Tension Bush	2
4	900225	Single Acting Seal	2
5	900247	Composite Seal	1
6	900805	Back-Up Ring	1
7	197200	Rod Eye	1
8	900377	Internal Tension Bush	1
9	900772	Circlip	1
10	198400	End Bung	1
11	900210	'O' Ring	1
12	264300	Piston Rod Assembly	1
13	198800	Cylinder Assembly	1
14	900431	Grease Nipple Straight	1
15	900154	Grub Screw 1/4" UNF x 1/4"	1
16	9004341	Grease Nipple 90°	1
-	198300	Damper Assembly	-
-	1029900	Seal Set	-

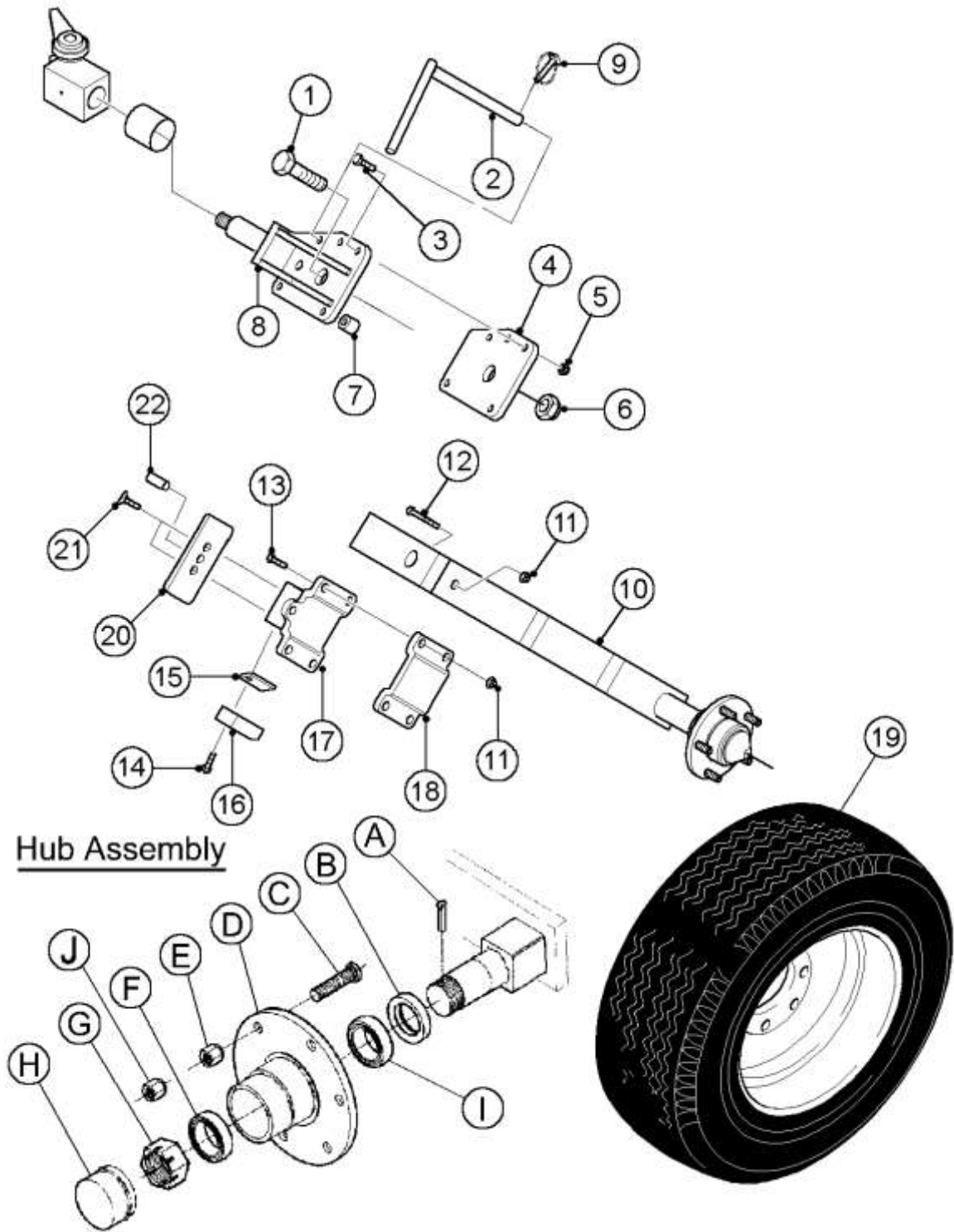
D/T WHEEL BRACKET OPTION



D/T WHEEL BRACKET OPTION

ITEM	PART N°	DESCRIPTION	QTY
1	901104	Bolt M16 x 280	1
2	901330	Set Screw M16 x 35	4
3	901191	Spring Washer M16	10
4	900783	Self Locking Nut M12	4
5	1588900	Bump Stop Plate	2
6	1589000	Rubber Stop	8
7	901505	C'sunk Square Bolt M12 x 80	4
8	903136	Bolt M24 x 260	2
9	1022700	Serrated Width Adjuster	2
10	901125	Bolt M20 x 250	1
11	903138	Bolt M16 x 250	2
12	1489499	Wheel Bump Stop (LH)	1
-	1489498	Wheel Bump Stop (RH)	1
13	1483500	Adjuster Slide Rail	2
14	1483600	Adjuster Locator	1
15	1483300	Depth Adjuster	1
16	900527	Linch Pin	1
17	1484300	Depth Locator Pin	1
18	900784	Self Locking Nut M16	3
19	900786	Self Locking Nut M24	5
20	1602298	Wheel Mounting (RH)	1
21	1602299	Wheel Mounting (LH)	1
22	900785	Self Locking Nut M20	1
23	903151	Plain Metal Bearing	2
24	900389	Plain Metal Bearing	2
25	1484000	Wheel Swivel Spacer	1
26	1476900	Wheel Swivel	1
27	1498300	Special Washer	1
28	901917	Split Cotter Pin	1
29	901556	Hexagonal Slotted Nut M24	1
30	1483400	Wheel Swivel Pin	1
31	1489600	Bump Stop Support	1
32	901610	Plain Washer M24	8
33	1484100	Swivel Limit	1
34	901329	Set Screw M16 x 30	6
35	1556000	Adjustable Swivel Limit	1
36	901357	Set Screw M24 x 50	2
37	901195	Spring Washer M24	2
38	903267	Bolt M24 x 220	1

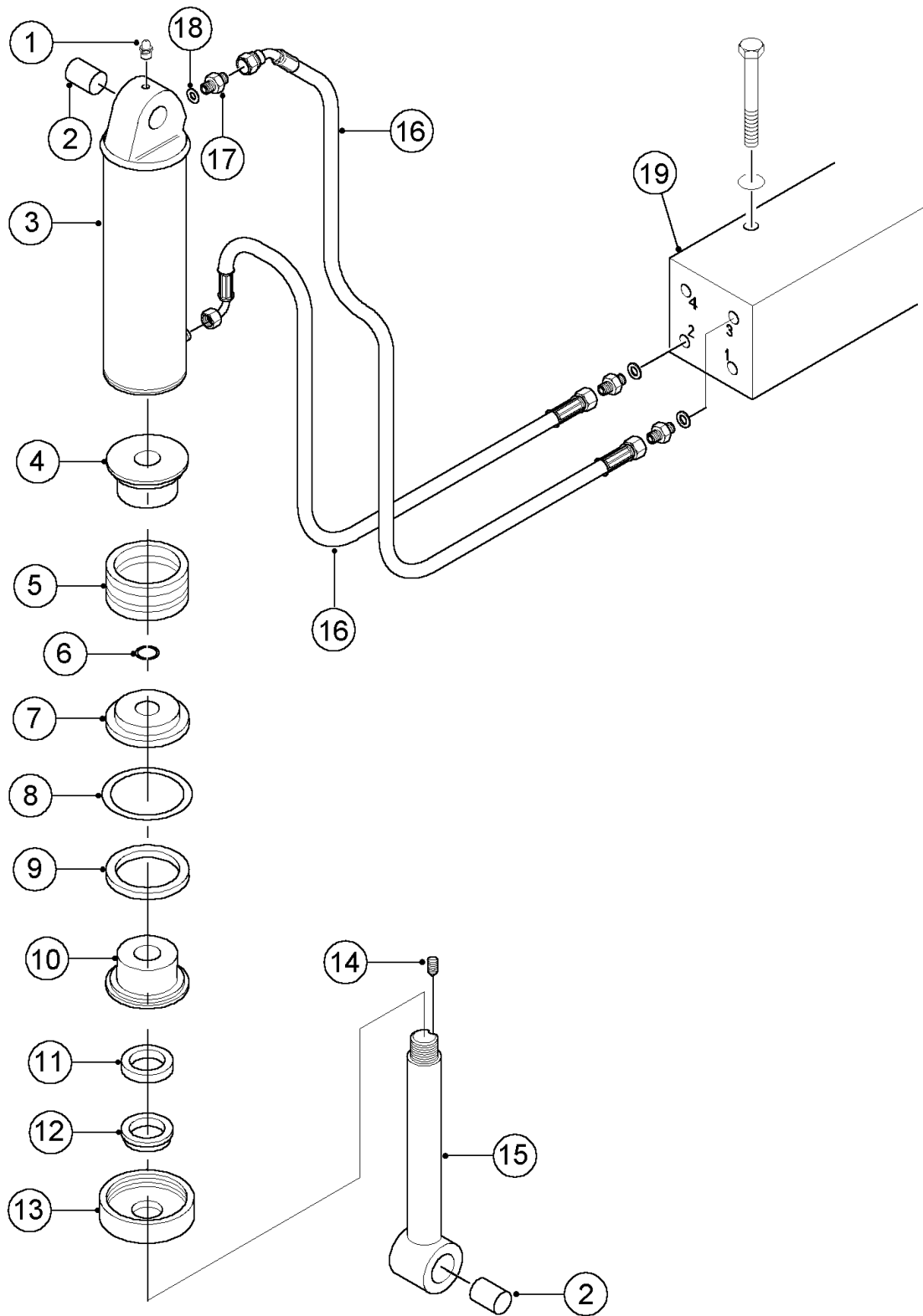
D/T WHEEL ARM OPTION



D/T WHEEL ARM OPTION

ITEM	PART N°	DESCRIPTION	QTY
1	901141	Bolt M24 x 90	1
2	1484200	Wheel Transport Pin	1
3	901089	Bolt M16 x 90	3
4	1484800	Wheel Arm Clevis Plate	1
5	900784	Self Locking Nut M16	3
6	900786	Self Locking Nut M24	1
7	1484900	Clevis Spacer Boss	3
8	1483200	Wheel Pivot	2
9	900528	Linch Pin	1
10	1483000	Wheel Arm	1
11	900783	Self Locking Nut M12	5
12	901070	Bolt M12 x 60	1
13	901067	Bolt M12 x 45	4
14	903453	Socket Cap Screw M10 x 35	2
15	1485600	Depth Equalizing Strip	2
16	1483700	Depth Striker	2
17	1483800	Depth Striker Mounting (Suits 10/75)	1
17a	1534100	Depth Striker Mounting (Suits 12/80 & 11.5/80)	
18	1483900	Depth Striker Clamp	1
19	1319000	Wheel Assembly 10/75 – 15.3 (Std)	1
19a	1426400	Wheel Assembly 12/80 – 15.3	-
19c	1566000	Wheel Assembly 11.5/80 – 15.3	-
20	1517900	Keep Plate (Suits 10/75)	1
20a	1518100	Keep Plate (Suits 12/80 & 11.5/80)	
21	901199	Countersunk Socket Screw M12 x 35	2
22	1520600	Dowel Pin	1
A	901214	Spit Pin	1
B	1523800	Dirt Seal	1
C	1497400	Wheel Stud M16 x 1.5	5
D	1523900	Wheel Hub	1
E	1497500	Wheel Nut M16 x 1.5	5
F	1497600	Tapered Roller Bearing (small)	1
G	1497700	Slotted Nut	1
H	1497800	Hub Cap	1
I	232100	Tapered Roller Bearing (Large)	1
J	903274	Self Locking Nut M16	5

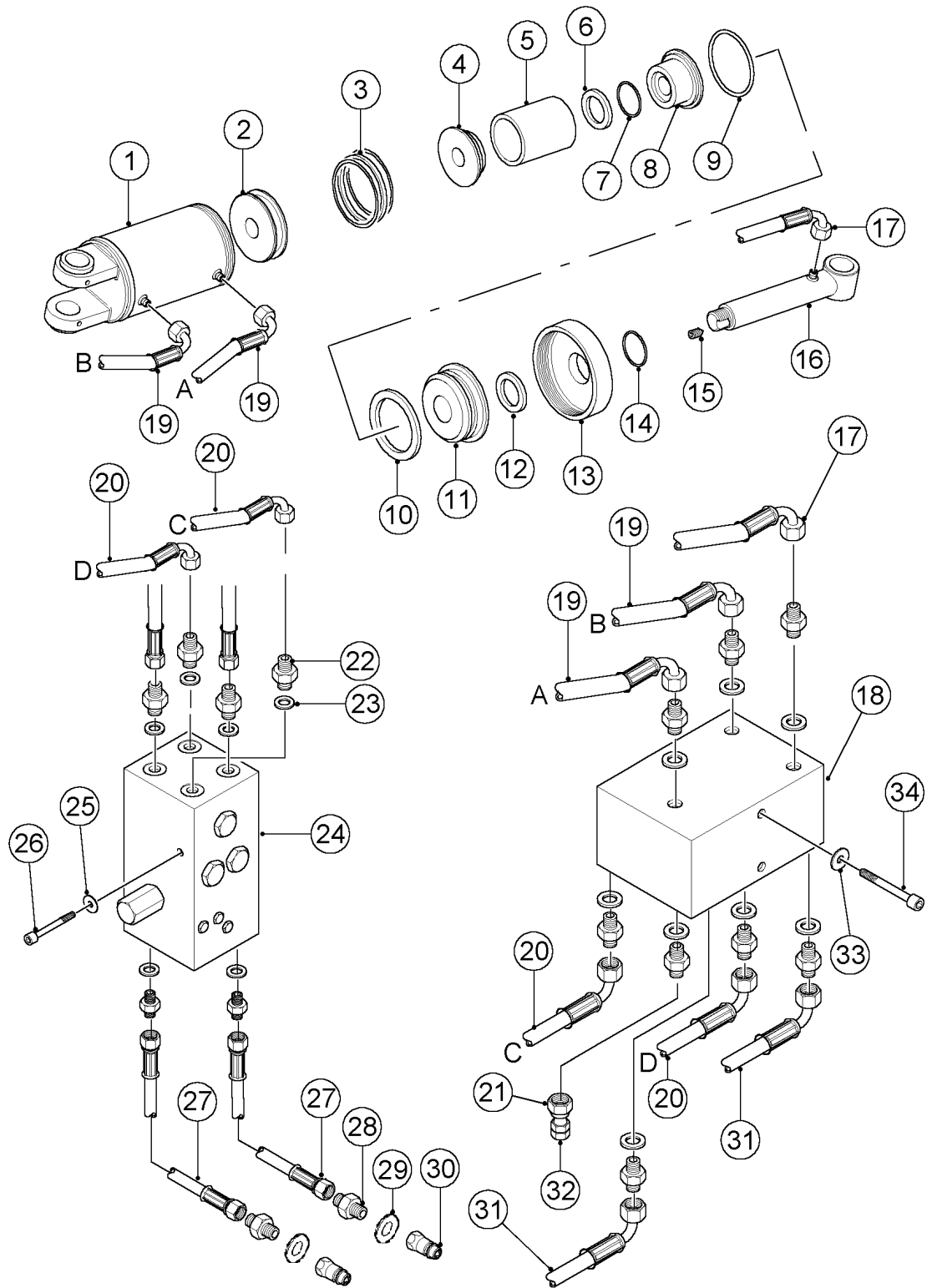
TURNOVER HYDRAULICS



TURNOVER HYDRAULICS

ITEM	PART N°	DESCRIPTION	QTY
1	900431	Grease Nipple ¼” UNF Straight	2
2	900373	Plain Metal Bearing	2
3	161800	Cylinder Assembly	1
4	006300	Piston	1
5	900241	Seal Assembly	1
6	900204	‘O’ Ring	1
7	006400	Annulus	1
8	900203	‘O’	1
9	900801	Back-up Ring	1
10	006500	End Plug	1
11	900221	Single Acting Seal	1
12	900261	Wiper Seal	1
13	006600	End Cap	1
14	900151	Socket Set Screw ¼” UNF	1
15	018700	Piston Rod	1
16	043000	Hydraulic Hose Assembly	2
17	900391	Adapter 3/8” BSP	1
18	900301	Dowty Washer 3/8” BSP	1
19	-	Sequence Valve (See Separate Page)	
-	161700	Ram Assembly	
-	052500	Seal Kit	

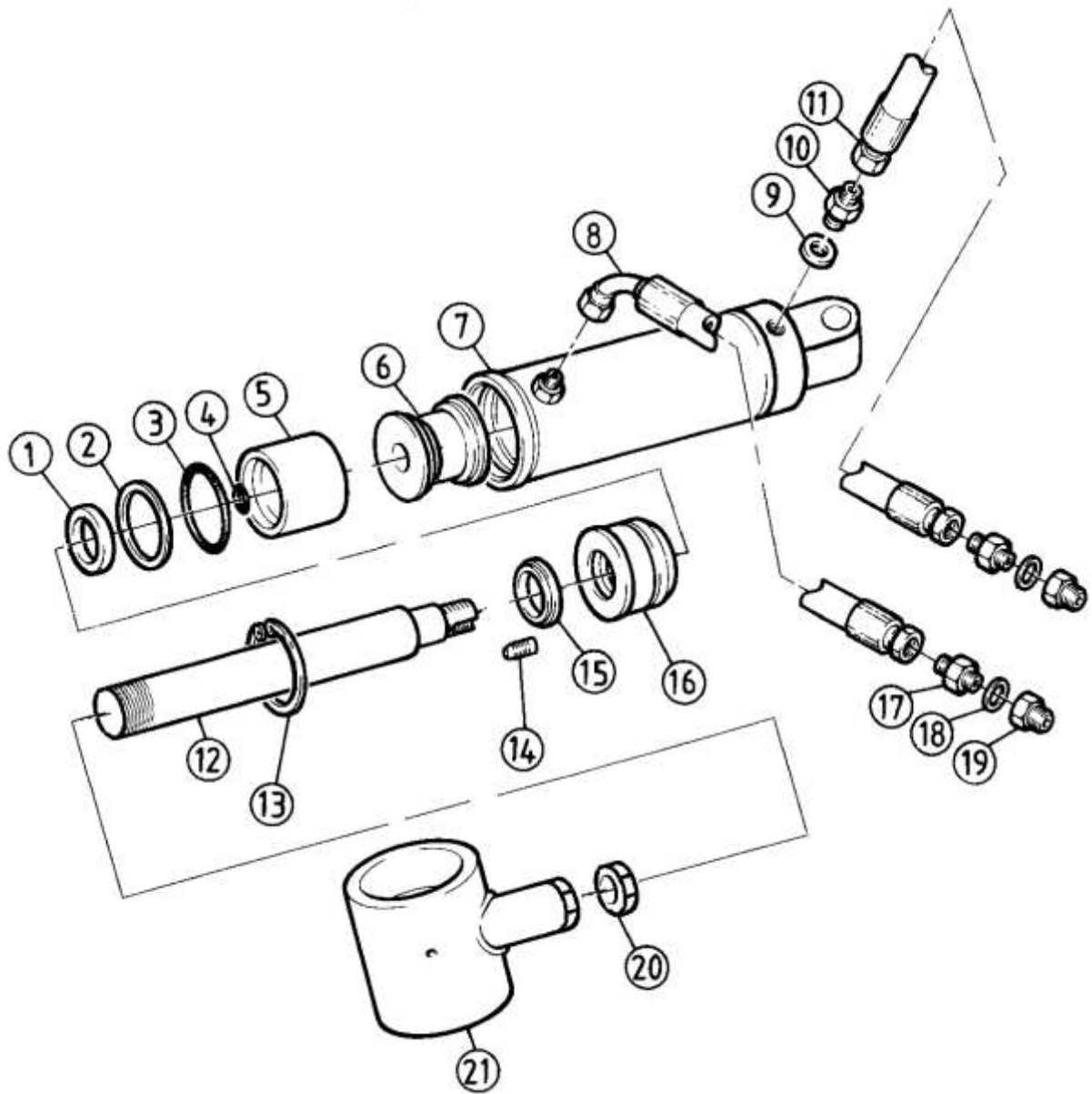
SEQUENCING HYDRAULICS



SEQUENCING HYDRAULICS

ITEM	PART N°	DESCRIPTION	QTY
1	1597300	Cylinder Assembly	1
2	1463800	Floating Piston	1
3	200254	Double Acting Seal	1
4	1597500	Piston	1
5	900255	Double Acting Seal	1
6	900216	'O' Ring	1
7	903341	Back-Up ring	1
8	1597600	Annulus	1
9	900204	'O' Ring	1
10	900800	Back-Up Ring	1
11	1485400	End Plug	1
12	900224	Single Acting Seal	1
13	1464300	End Cap	1
14	900267	Wiper Seal	1
15	900151	Socket Set Screw ¼" UNF	1
16	1597400	Piston Rod	1
17	1491800	Hydraulic Hose Assembly	1
18	1484700	Check/ Relief Valve	1
19	1492400	Hydraulic Hose Assembly	2
20	1492500	Hydraulic Hose Assembly	2
21	902885	Adapter 3/8" – 1/8" BSP	1
22	900391	Adapter 3/8" BSP	14
23	900301	Dowty Washer 3/8" BSP	14
24	1484600	Sequence Valve	1
25	902482	Plain Washer M8	1
26	901034	Bolt M8 x 110	1
27	008400	Hydraulic Hose Assembly	2
28	900392	Adapter 3/8"- 1/2" BSP	4
29	900302	Dowty Washer 1/2" BSP	4
30	900611	Tractor Quick Coupler	4
31	1492600	Hydraulic Hose Assembly	2
32	900741	Breather	1
33	902482	Plain Washer M8	2
34	901030	Bolt M8 x 80	2
35	900781	Self Locking Nut M8 (Not Shown)	1
-	1597100	Ram Assembly	-
-	1601900	Seal Kit	-

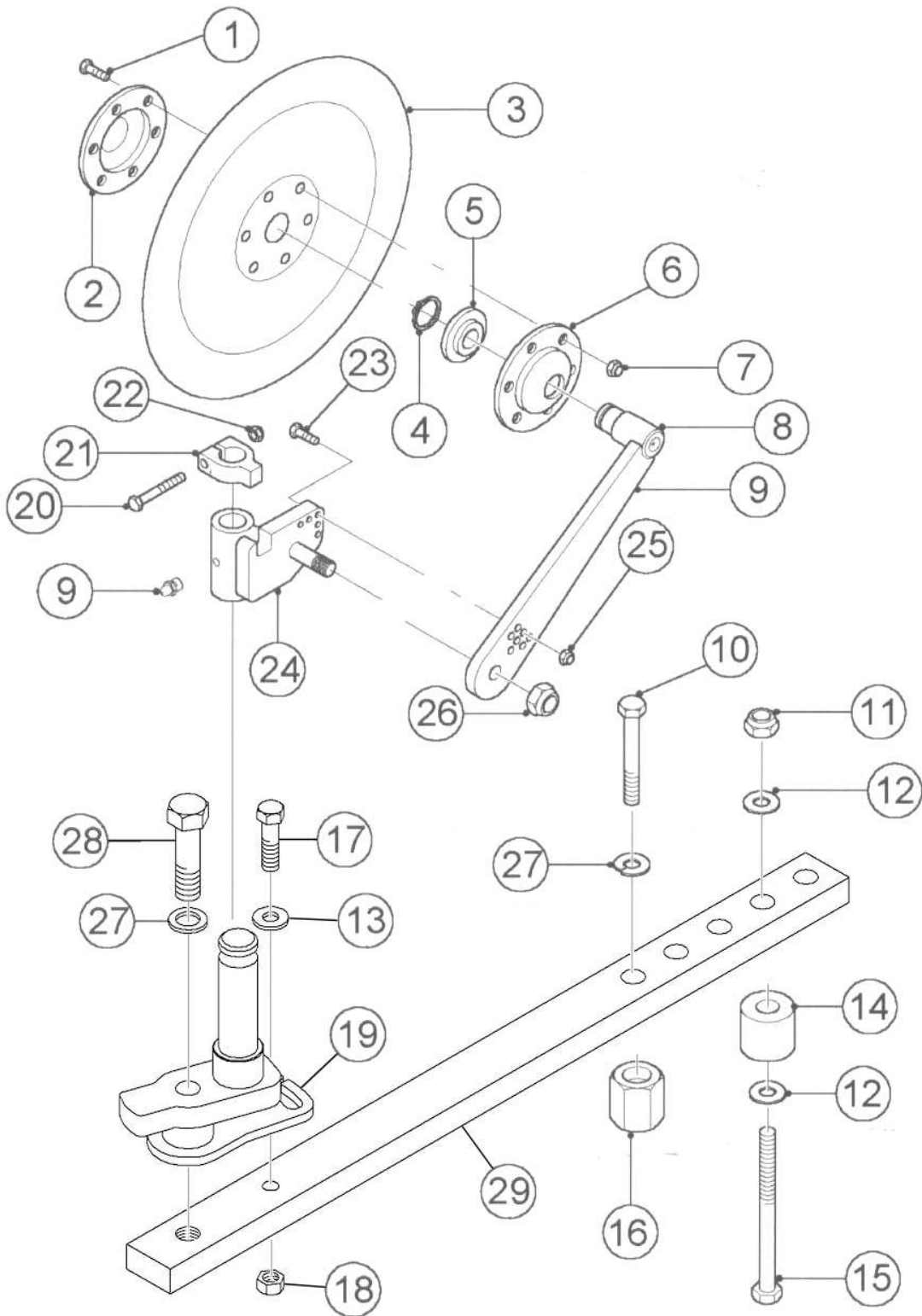
OFFSET HYDRAULICS



OFFSET HYDRAULICS

ITEM	PART N°	DESCRIPTION	QTY
1	900225	Single Acting Seal	1
2	900805	Back- Up Ring	1
3	900210	'O' Ring	1
4	900209	'O' Ring	1
5	900246	Double Acting Seal	1
6	148300	Piston	1
7	1598000	Cylinder Assembly	1
8	1491700	Hydraulic Hose Assembly	1
9	900301	Dowty Washer 3/8" BSP	1
10	900391	Male- Male Adapter 3/8" - 3/8" BSP	1
11	1491700	Hydraulic Hose Assembly	1
12	1092100	Piston Rod	1
13	900722	Internal Circlip	1
14	900151	Socket Set Screw 1/4" UNF	1
15	900263	Wiper Seal	1
16	148200	End Bung	1
17	900392	Male- Male Adapter 3/8" - 1/2" BSP	2
18	900302	Dowty Washer 1/2" BSP	2
19	900611	Tractor Quick Coupler	2
20	900776	Lock Nut M24	1
21	1598500	Eye Extension	1
-	1597900	Ram Assembly	-
-	151600	Ram Seal Kit	-

DISC ASSEMBLY

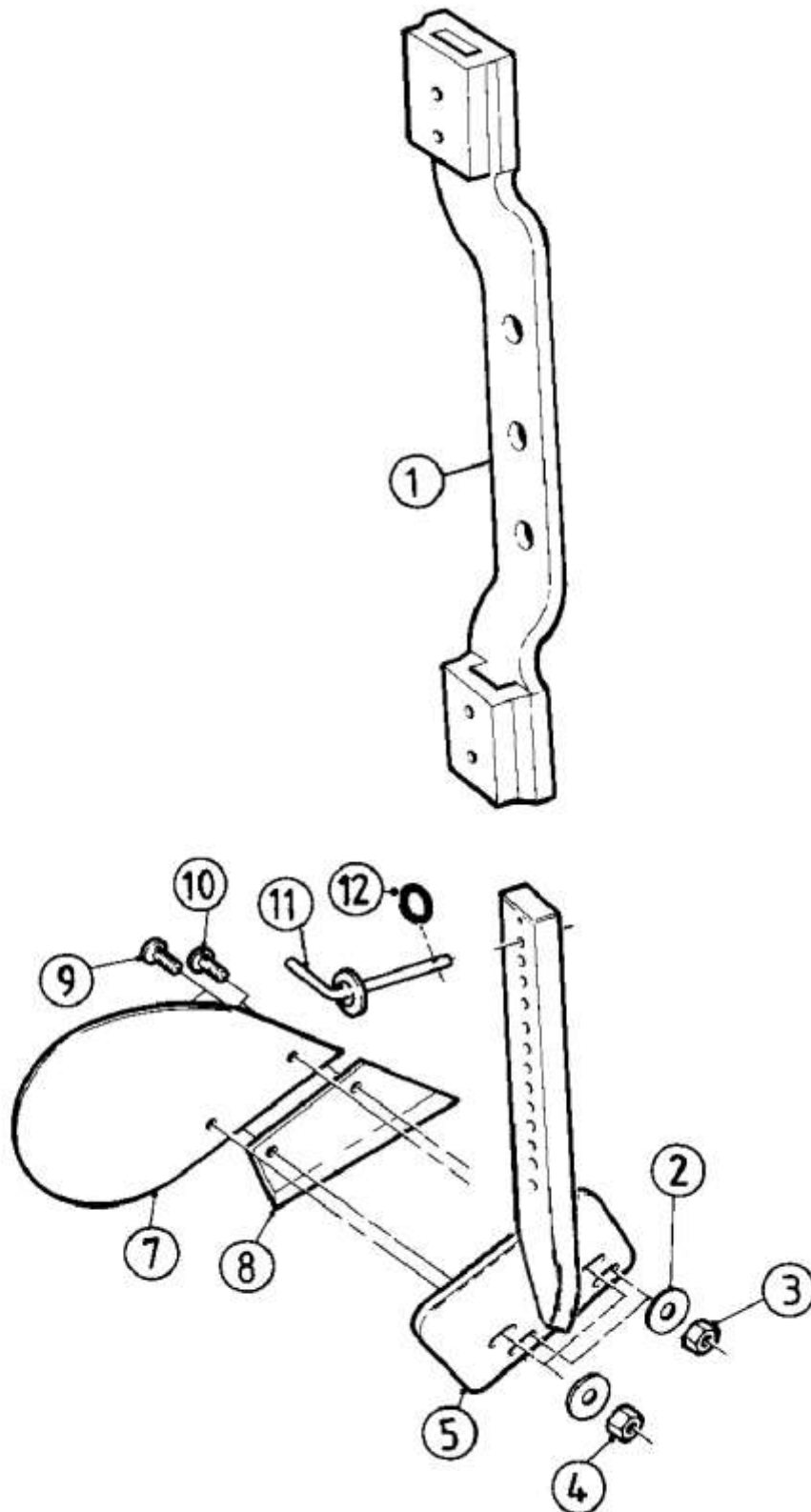


DISC ASSEMBLY

ITEM	PART N°	DESCRIPTION	QTY
1	901263	Set Screw M8 x 30	6
2	054900	Bearing Outer Housing	1
3	052800	Disc 18" Plain	-
-	063800	Disc 18" Cutaway	-
4	900601	External Circlip	1
5	900324	Bearing	1
6	055000	Bearing Inner Housing	1
7	900781	Self Locking Nut M8	6
8	1100200	Disc Arm	1
9	900431	Grease Nipple ¼" UNF	2
10	901381	Set Screw M24 x 55	1
11	903276	Self locking Nut M24	2
12	901610	Plain Washer M24	2
13	902954	Special Washer	1
14	1425500	Spacer Boss	2
15	903258	Bolt M24 x 110	2
16	1467500	Disc Spacer Nut	1
17	901085	Bolt M16 x 65	1
18	900784	Self Locking Nut M16	1
19	1603698	Disc Offset Knuckle (RH)	1
-	1603699	Disc Offset Knuckle (LH)	-
20	901073	Bolt M12 x 75	1
21	1100400	Disc Clamp	1
22	900783	Self Locking Nut M12	1
23	902350	Shearbolt	1
24	1138198	Disc Swivel (RH)	1
-	1138199	Disc Swivel (LH)	-
25	900105	Plain Nut ½" UNF	1
26	900117	Self Locking Nut ¾" UNF	1
27	901195	Spring Washer M24	2
28	901141	Bolt M24 x 90	1
29	1603500	Disc Support Arm	1

Quantities are per hand

SKIM ASSEMBLY

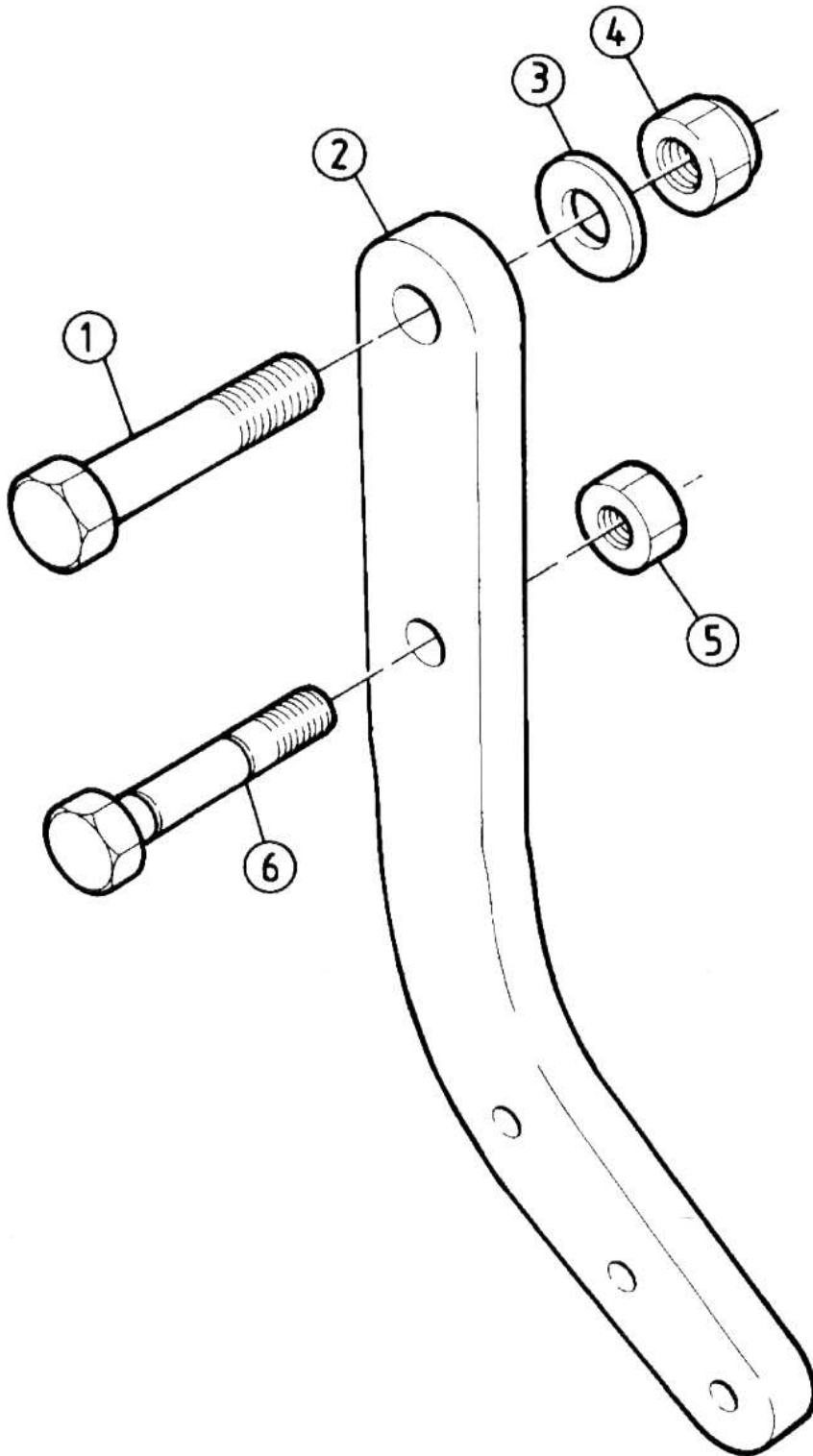


SKIM ASSEMBLY

ITEM	PART N°	DESCRIPTION	QTY
1	1597800	Skim Bracket	1
2	902955	Plain Washer M10 (Special)	4
3	900498	Nut 3/8" UNC	4
4	900103	Nut 3/8" UNF	4
5	1467998	Skim Shank RH	1
	1467999	Skim Shank LH	1
7	1099898	Skim Wing (XL) RH	1
	1099899	Skim Wing (XL) LH	1
8	048098	Skim Point RH	1
	048099	Skim Point LH	1
9	900141	Countersunk Square Bolt	4
10	900810	Taper Head Bolt	4
11	1344100	Locating Pin	2
12	903200	Spring Coil	2

All Quantities are per furrow

105 SERIES LEG



105 SERIES LEG

ITEM	PART N°	DESCRIPTION	QTY
1	902260	Bolt M30 x 100	1
2	-	See Table Below	As Req
3	901608	Plain Washer M30	1
4	903277	Self Locking Nut M30	1
5	900775	Plain Nut M20	1
6	-	Shearbolt (See Separate Page)	-

LEG LIST

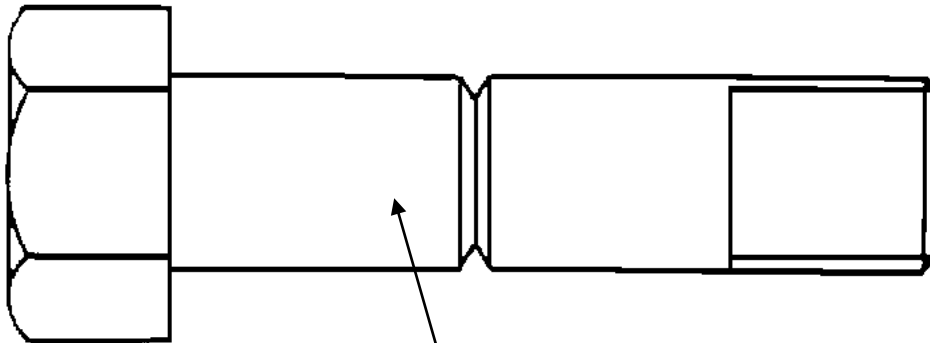
Underbeam Clearance (Inches)	Body Type	Part N°
29.25	DD	1466700
29.00	UCN	1466700
29.75	M-SLAT	1466900
29.25	YCN	1520400

105 SERIES LEG SHEARBOLT

To avoid SERIOUS DAMAGE it is essential that the correct shear bolts are fitted and fitted with the bolt head against the leg.

THE USE OF INCORRECT SHEARBOLTS WILL NULLIFY
YOUR WARRANTY!

To ease identification, all leg shearbolts are colour coded.



Pink

Part Number – 902347

Supplied with nut inclusive as spare.