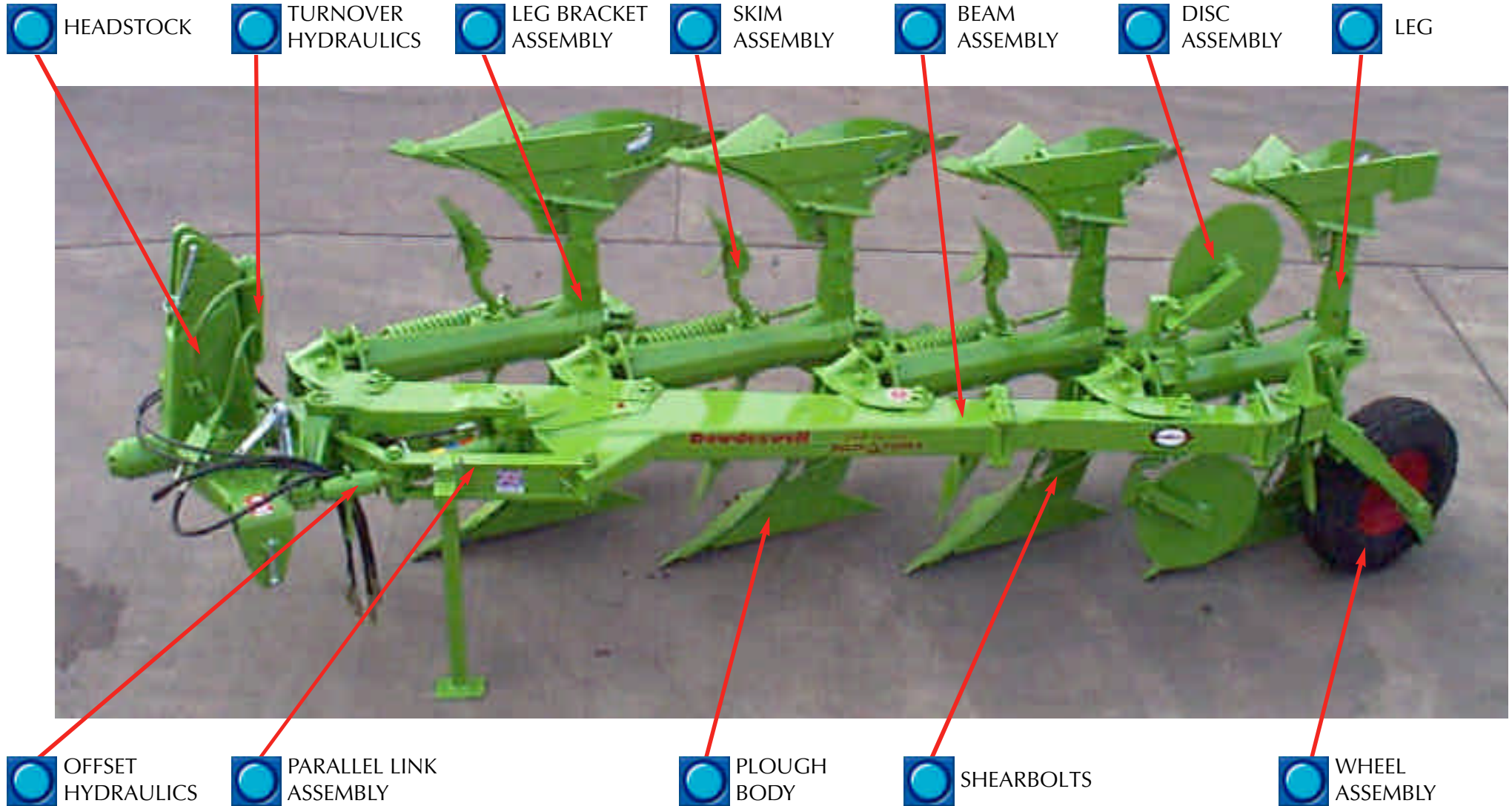


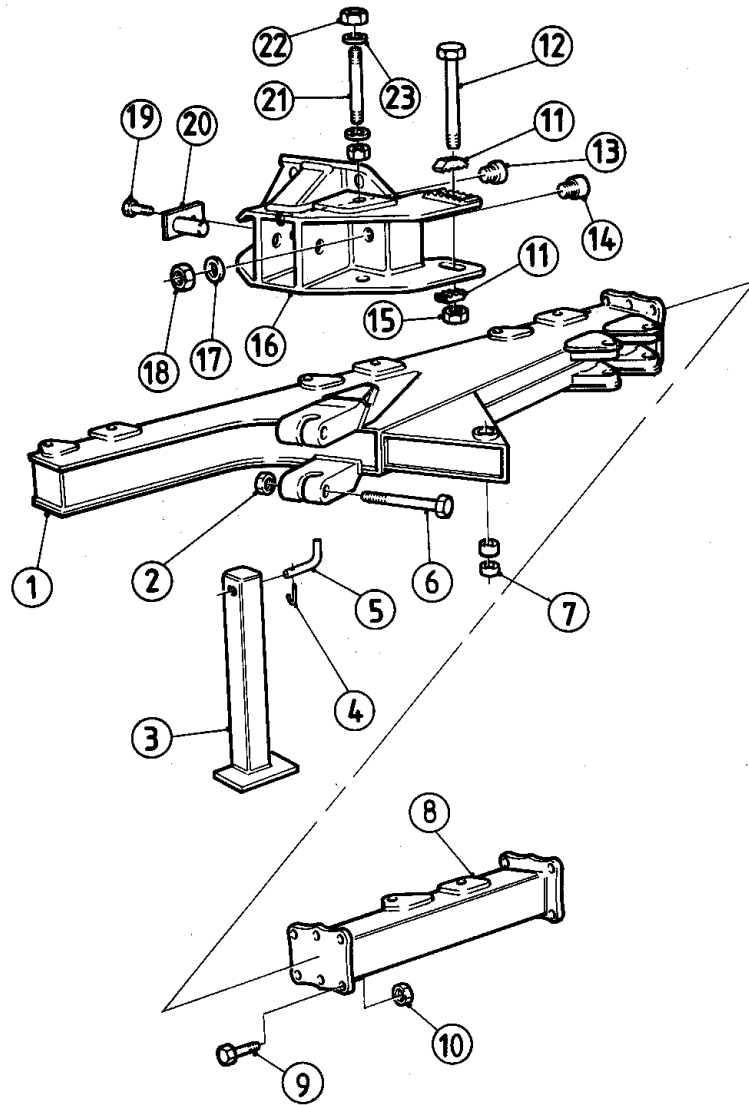
DF 100 MR SERIES – PLOUGH



PLOUGH SELECTION

Dowdeswell

DF 100 MR SERIES – BEAM ASSEMBLY



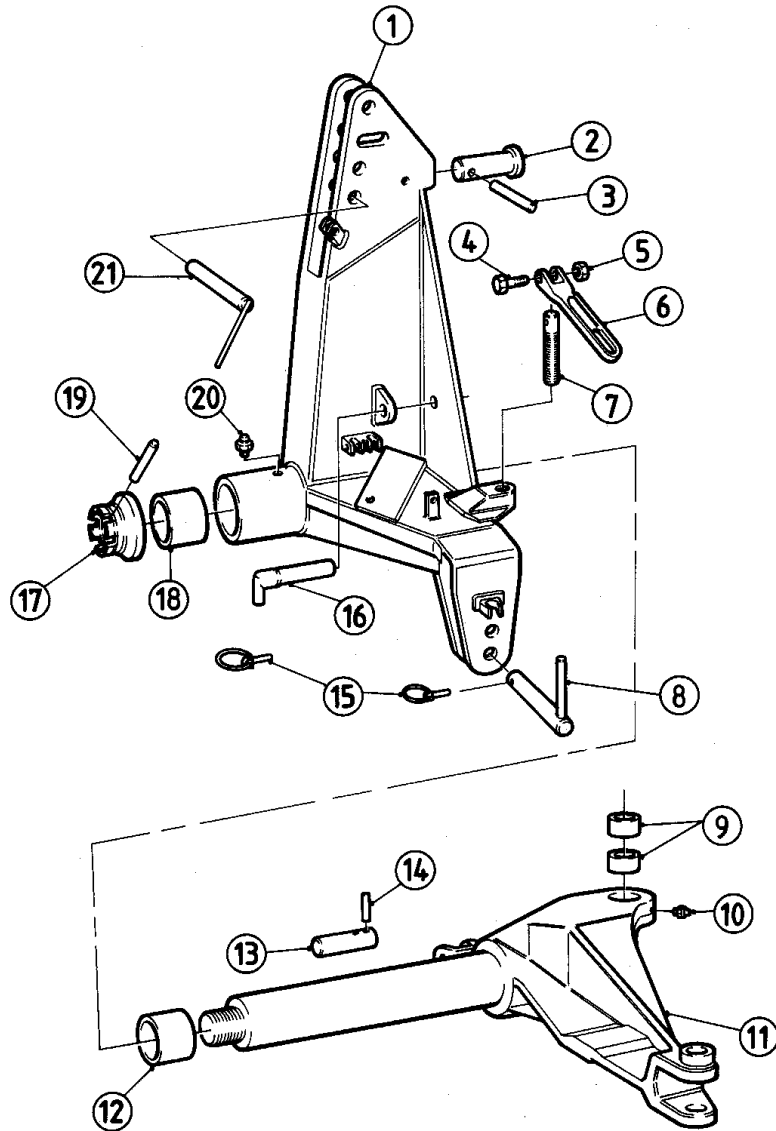
ITEM	PART NO.	DESCRIPTION	QTY.
1	1095200	Reset Beam 34" P – P (3 Furrow)	1
-	1106400	Reset Beam 39" P – P (3 Furrow)	1
-	1155100	Reset Beam 34" P – P (4 Furrow)	1
2	902322	Self Locking Nut M24	2
3	091100	Support Leg High Clearance	1
-	250800	Support Leg Std Clearance	1
4	900521	'R' Type grip clip	1
5	012500	Retaining Peg	1
6	902772	Bolt M24 x 120	2
7	900347	Plain Bearing	2
8	1168000	Extension Beam 34" P to P	-
-	1168100	Extension Beam 39" P to P	-
9	900961	Bolt 5/8" UNF x 2 3/4"	-
10	900116	Self Locking Nut 5/8" UNF	-
11	1022700	Serrated Washer	-
12	902251	Bolt M20 x 225	-
13	120100	Pivot Cup Short Offside	1 PER FURROW
14	134200	Pivot Cup Long Inside	1 PER FURROW
15	900785	Self Locking Nut M20	1 PER FURROW
16	1094800	Reset Leg Bracket	-
17	900197	Spring Washer Dia 3/4"	2 PER FURROW
18	900111	Self Locking Nut 3/4" UNF	2 PER FURROW
19	900022	Bolt 3/8" x 3/4"	1 PER FURROW
20	131500	Pin	1 PER FURROW
21	1069600	Stud Dia 24	1 PER FURROW
22	900786	Self Locking Nut M24	2 PER FURROW
23	901610	Washer Dia 24	2 PER FURROW



PLOUGH ASSEMBLY

Dowdeswell

DF 100 MR SERIES – HEADSTOCK



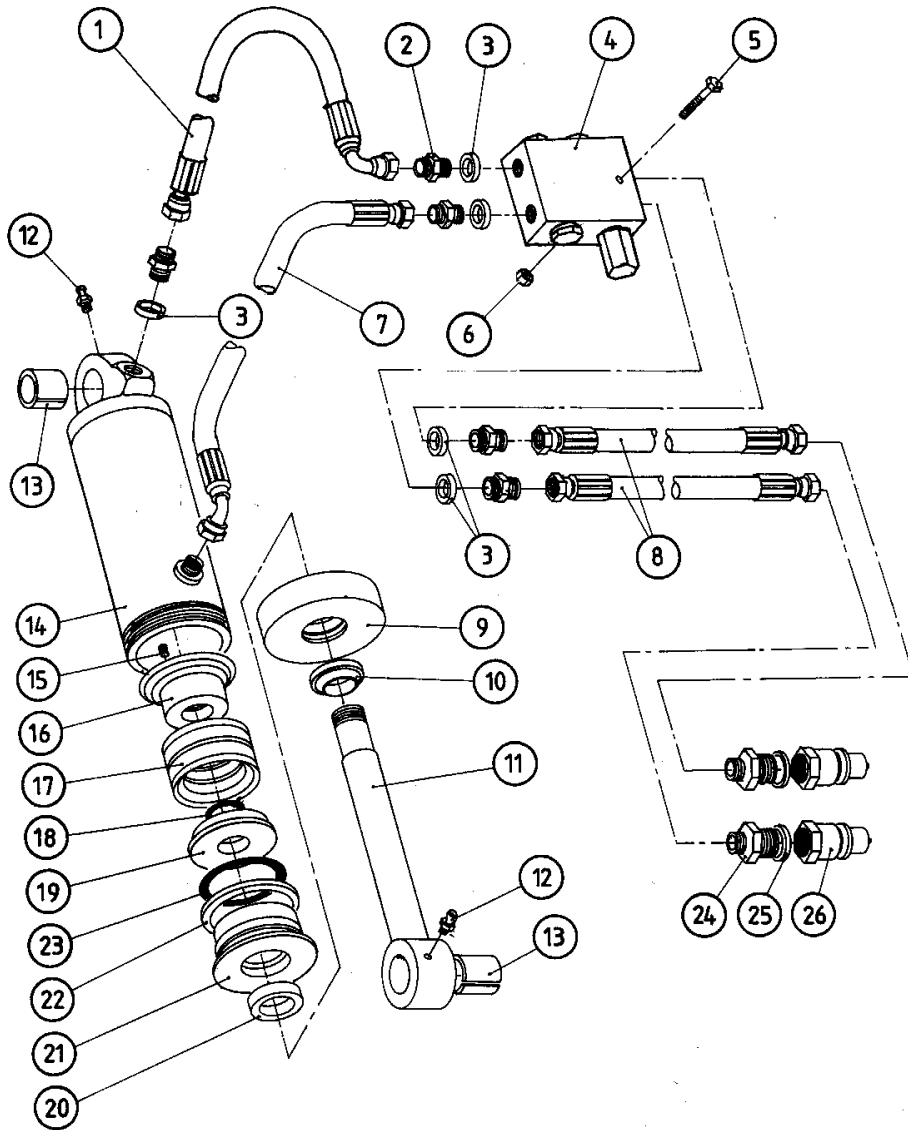
ITEM	PART NO.	DESCRIPTION	QTY.
1	1100800	Headstock	1
2	161900	Top Ram Pin	1
3	900542	Spring Pin 10 x 60	1
4	900027	Bolt 3/8" UNF x 2 1/2"	2
5	900115	Self Locking 3/8" UNF	2
6	1156300	Handle	2
7	1027100	Stud	2
7A	1280800	Stud 30mm Fine	-
7B	1320500	Stud 1 1/4" UNC	-
8	1105400	Bottom Link Pin	2
9	900383	Internal Tension Bush	2
10	900431	Grease Nipple 1/4" UNF Straight	1
11	1065600	Turnover Arm Assy.	1
12	900353	Bush	1
13	1073000	Lower Ram Pin	1
14	900559	Spring Pin 8 x 50	1
15	900527	Linch Pin	5
16	161600	Transport Pin	2
17	1070000	Pulling Nut	1
18	900353	Bush	1
19	900290	Spring Pin 1/2" x 3 1/2"	1
20	900431	Grease Nipple 1/4" UNF Straight	1
21	145800	Top Link Pin	1



PLOUGH ASSEMBLY

Dowdeswell

DF 100 MR SERIES – TURNOVER HYDRAULICS



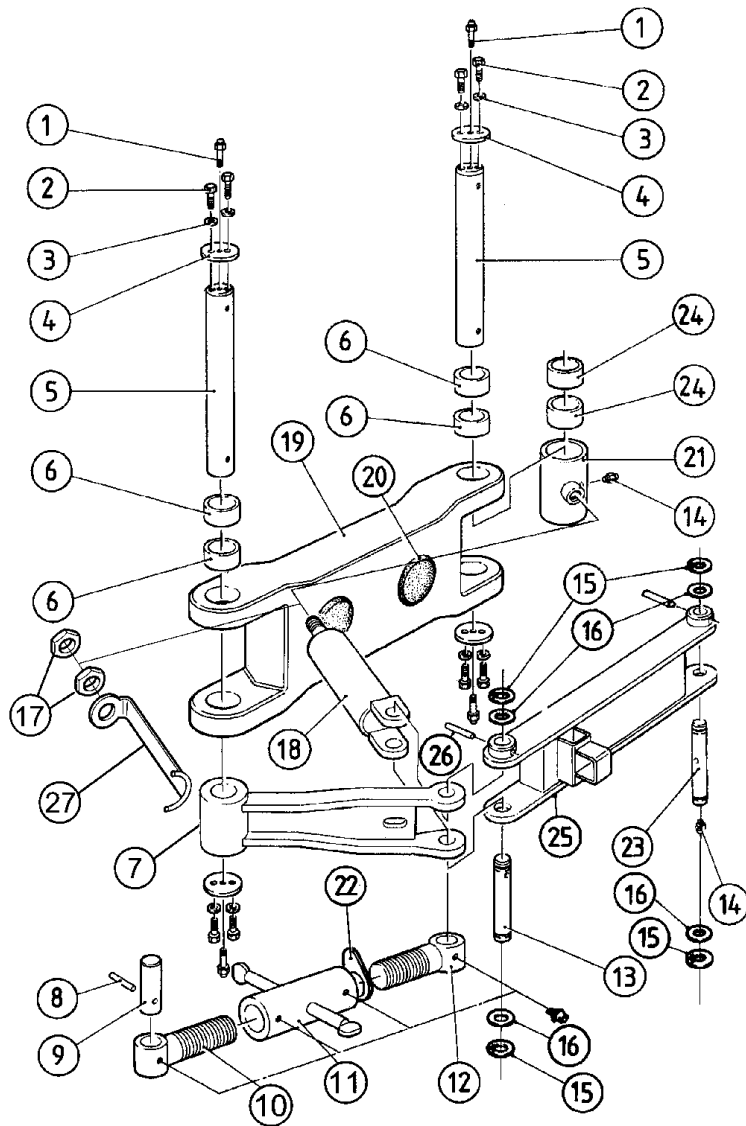
ITEM	PART NO.	DESCRIPTION	QTY.
1	1092500	Hose Assembly (23")	1
2	900391	Adapter 3/8" BSP	4
3	900301	Dowty Washer 3/8" BSP x 0.08	5
4	265800	Turnover Valve V581	1
5	901043	Bolt M10 x 70	1
6	900782	Self Locking Nut M10	1
7	043000	Hose Assembly (23")	1
8	008400	Hose Assembly (56")	2
9	006600	End Cap	1
10	900261	Wiper Seal	1
11	018700	Piston Rod	1
12	900431	Grease Nipple	2
13	900373	Internal Tension Bush	2
14	161800	Ram Tube	1
15	900151	Grub Screw	1
16	006300	Piston	1
17	900241	Double Acting Seal	1
18	900201	'O' Ring	1
19	006400	Piston Annulus	1
20	900221	Single Acting Seal	1
21	006500	End Plug	1
22	900801	Back-up Ring	1
23	900203	'O' Ring	1
24	900392	Adapter 1/2" x 3/8" BSP	2
25	900302	Dowty Washer 1/2" BSP	2
26	900611	Male Quick Coupler	2
-	161700	Ram Assembly (Items 9-23 incl.)	-
-	052500	Ram Seal Set	-
-	1021500	Valve Repair Kit	-
-	1250400	Valve Repair Kit	-



PLOUGH ASSEMBLY

Dowdeswell

DF 100 MR SERIES – PARALLEL LINK ASSEMBLY



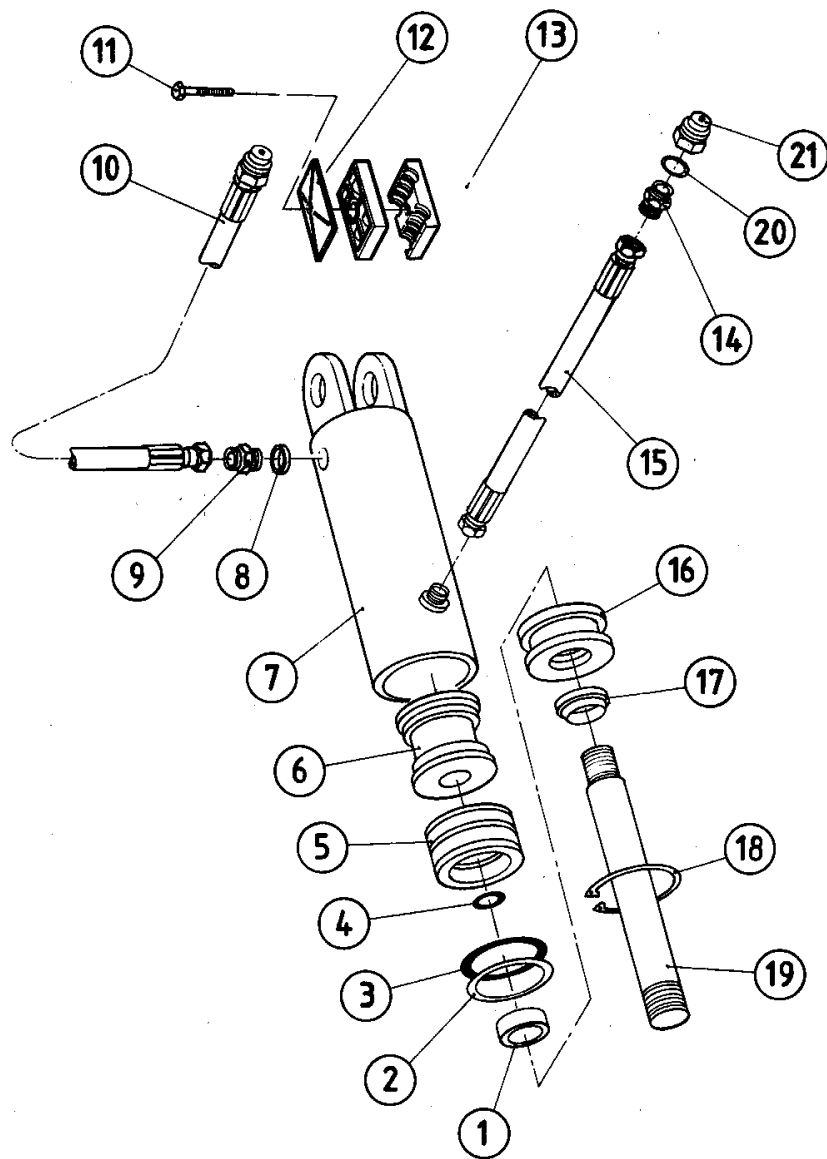
ITEM	PART NO.	DESCRIPTION	QTY.
1	900439	Grease Nipple 1/4" UNF x 11/8" Straight	4
2	901308	Setscrew M12 x 30	8
3	901189	Spring Washer M12	8
4	1077100	Special Washer	4
5	1065500	Pin	2
6	900382	Bush	4
7	1064900	Cross Link	1
8	900551	Spring Pin 8 x 40	1
9	1065300	Pin	1
10	1065700	Adjuster Screw LH	1
11	1065900	Turnbuckle	1
12	1065800	Adjuster Screw RH	1
13	1318300	Non Greaseable Pin	1
-	1250500	Non Greaseable Pin (Pre Feb 1997)	-
14	900431	Grease Nipple 1/4" UNF Straight	6
15	900609	Circlip	4
16	900793	Special Washer	4
17	901983	Lock Nut M24	2
18	1092000	Offset Ram See separate Page	-
19	1064700	Main Lift Arm	1
20	1163700	Rubber Bung	2
21	1068300	Piston Extension	1
22	1125000	Lock Nut	1
23	1318300	Greaseable Pin	1
-	1205600	Greaseable Pin (Pre Feb 1997)	-
24	900360	Bush	2
25	1316600	Parallel Link	1
-	1064800	Parallel Link (Pre Feb 1997)	-
26	900559	Spring Pin 8 x 50	2
27	1380600	Position Marker	1



PLOUGH ASSEMBLY

Dowdeswell

DF 100 MR SERIES – OFFSET HYDRAULICS



ITEM	PART NO.	DESCRIPTION	QTY.
1	900225	Single Acting Seal	1
2	900805	Back Up Ring	1
3	900210	'O' Ring	1
4	900209	'O' Ring	1
5	900246	Double Acting Seal	1
6	148300	Piston	1
7	1091900	Tube	1
8	900301	Dowty Washer	1
9	900391	Adapter 3/8" BSP	1
10	1105000	Hose Assembly (132")	1
11	901022	Bolt M8 x 35	2
12	901826	Cover	2
13	901803	Hose Clamp	4
14	900392	Adapter	2
15	1105000	Hose Assembly (132")	1
16	148200	Bung	1
17	900263	Ram Wiper	1
18	900722	Internal Circlip	1
19	1092100	Piston Rod	1
-	151600	Ram Seal Kit	-
-	1092000	Ram Assembly	-
20	900302	Dowty Washer	2
21	900611	Coupling	2

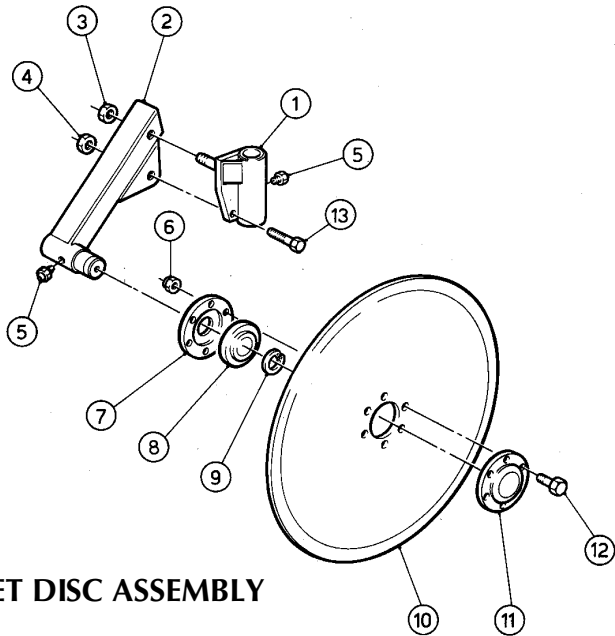
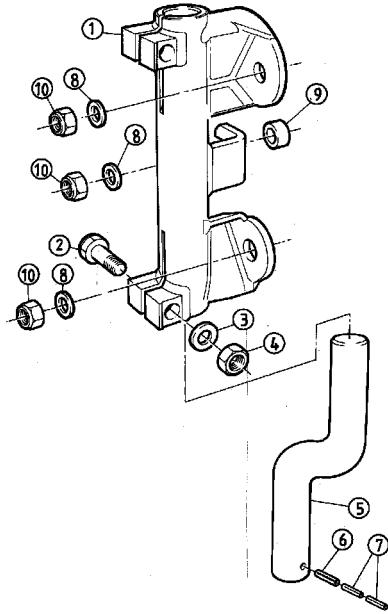


PLOUGH ASSEMBLY

Dowdeswell

DF 100 MR SERIES – RESET DISC ASSEMBLY

RESET DISC BRACKET



RESET DISC ASSEMBLY

RESET DISC BRACKET

ITEM	PART NO.	DESCRIPTION	QTY.
1	138000	Disc Bracket	1
2	900043	Bolt 5/8" UNF x 2 1/2"	2
3	900172	Plain Washer 5/8"	2
4	900106	Nut 5/8" UNF	2
5	137900	Stalk	1
6	900542	Spring Pin 10 x 60mm	2
7	900541	Spring Pin 6 x 30mm	4
8	900178	Plain Washer 3/4" x 0.128	6
9	1093600	Spacer	3
10	900117	Self Locking Nut 3/4" UNF	3

RESET DISC ASSEMBLY

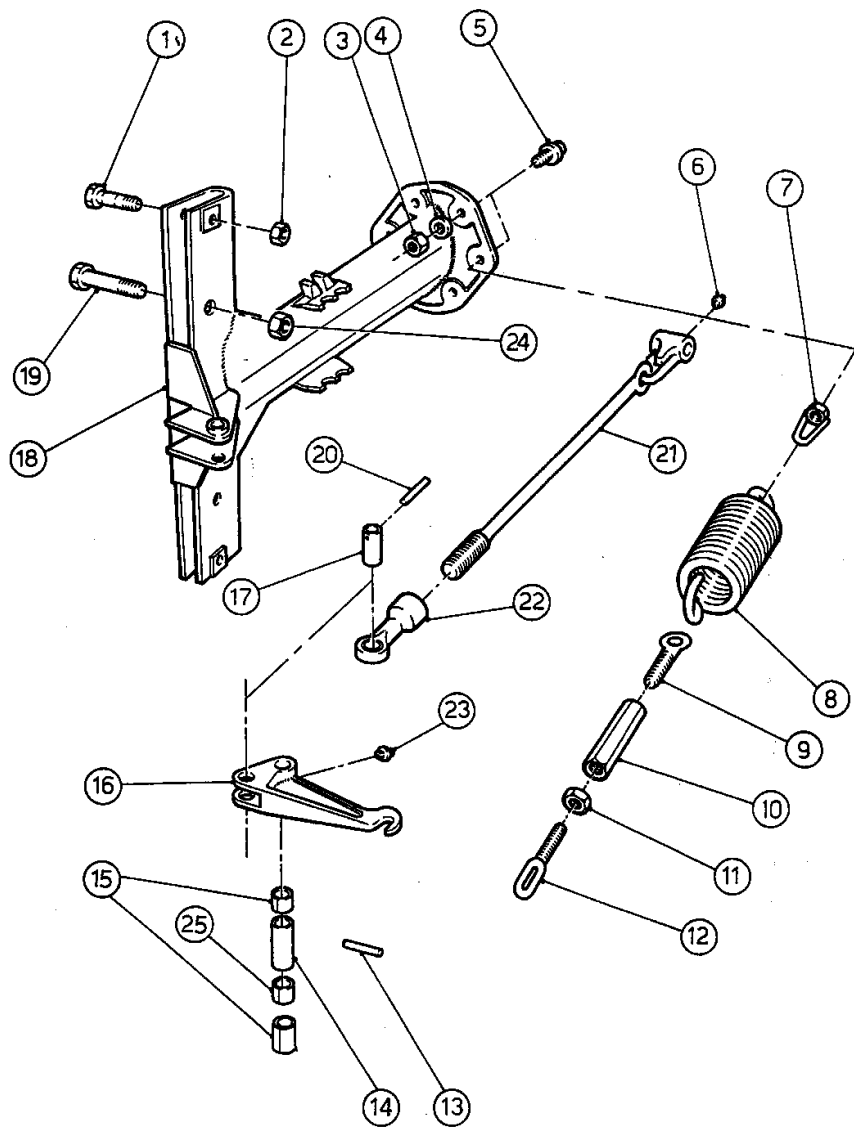
ITEM	PART NO.	DESCRIPTION	QTY.
1	305698	Disc Arm Swivel R.H.	1
-	305699	Disc Arm Swivel L.H.	1
2	052998	Disc Arm 18" R.H.	AS REQ.
-	052999	Disc Arm 18" L.H.	AS REQ.
2a	063698	Disc Arm 20" R.H.	AS REQ.
-	063699	Disc Arm 20" L.H.	AS REQ.
3	900107	Nut 3/4" UNF	1
4	900105	Nut 1/2" UNF	1
5	900431	Grease Nipple	2
6	900781	Self Locking Nut M8	6
7	055000	Bearing Housing (Inner)	1
8	900324	Ball Bearing	1
9	900601	Circlip	1
10	052800	Disc - 18" Plain	AS REQ.
10a	053000	Disc - 20" Plain	AS REQ.
10b	063800	Disc - 18" Cutaway	AS REQ.
10c	054100	Disc - 20" Cutaway	AS REQ.
11	054900	Bearing Housing (Outer)	1
12	901263	Setscrew M8 x 30	6
13	900483	Shearbolt	1



PLOUGH ASSEMBLY

Dowdeswell

DF 100 MR SERIES – RESET LEG ASSEMBLY



ITEM	PART NO.	DESCRIPTION	QTY.
1	900486	Red Shearbolt	2
2	900496	Nut 5/8" UNC	2
3	900117	Nut 3/4" UNF Self Locking	5
4	178200	Spacer	5
5	120200	Reset Pivot Ball	6
6	900431	Grease Nipple 1/4" UNF Straight	1
7	1057900	Eye	1
8	900467	Extension Spring	1
9	175600	Turnbuckle Eye LH	1
10	175800	Turnbuckle	1
11	900901	Locknut 5/8" UNC	1
12	175700	Turnbuckle Eye RH	1
13	900282	Spring Pin Ø5/16" x 1 1/2"	1
14	1062900	Pin	1
15	900378	Internal Tension Bush	2
16	1057200	Cast Hook (6mm Spring Pin)	1
16a	1193400	Cast Hook (8mm Spring Pin)	-
17	1057500	Pin (6mm Spring Pin)	1
17a	1193500	Pin (8mm Spring Pin)	-
18	1057400	Reset Leg Bracket	1
19	900052	Bolt 3/4" UNF x 2 3/4"	2
20	900547	Spring Pin Ø6 x 40	1
20a	900551	Spring Pin Ø8 x 40	-
21	1226200	Tension Rod	1
22	1226100	Rod End	1
23	900434	Grease Nipple 1/4" UNF x 90°	1
24	900107	Plain Nut 3/4" UNF	2
25	1250300	Spacer	1

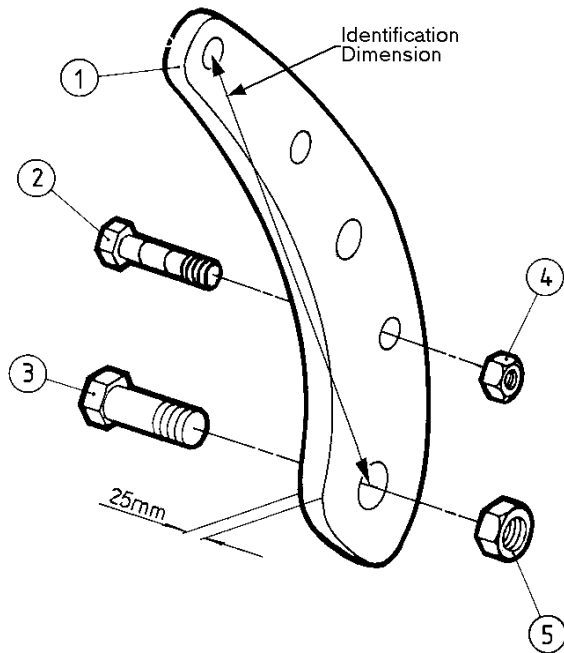
Note: All Quantities Are Per Furrow.



PLOUGH ASSEMBLY

Dowdeswell

DP 8, DF 100 & ALL RESET PLOUGH LEGS



UNDERBEAM CLEARANCE (Inches)

DP8, DP5 LS DF 100 MA

RESET	BODY TYPE	PART NO	I.D Dimension
27.25	DD/DDS	146398	496mm
28.75	DD/DDS	183800	532mm
26.25	UCN/SCN	146398	496mm
28.00	UCN/SCN	183800	532mm
26.50	YCN	315300	531
	YCN	1078200	484mm

BODY TYPE

PART NO

I.D Dimension

DF 100 HA UNDERBEAM CLEARANCE (Inches)

BODY TYPE	PART NO	I.D Dimension
DD/DDS	1135700	472mm
UCN/SCN	1135700	472mm
YCN	1135900	493mm

BODY TYPE

PART NO

I.D Dimension

Leg Pivot and Shear Bolts. All 'A' Items Are For DF 100 HA.

ITEM	PART NO	DESCRIPTION	QTY./LEG
2	-	Leg Shear Bolt	-
2A	-	Leg Shear Bolt	-
3	900052	Bolt 3/4" UNF x 2 3/4"	1
3A	902771	Bolt M24 x 80 (Special)	1
4	900496	Nut 5/8" UNC	1
4A	900774	Plain Nut M16	1
5	900109	Nut 1" UNF	1
5A	902332	Plain Nut M24 (Special)	1



PLOUGH ASSEMBLY

Dowdeswell

SHEARBOLTS

